



Nurturing Creativity Through Innovative Play™

217 Murphy Ave • Ferguson, Kentucky 42533

Phone: 606-485-4406 • Fax: 606-485-4407

Email: info@goplaytopia.com • Web: www.goplaytopia.com

Recommended Crew:

Minimum 1-2 People

Tools Required for Assembly:

Allen Head Key

Installation Time:

30 mins.

Concrete Required:

N/A

This space intentionally left blank.

Standard Hardware

5/16" x 5"
RSS Stainless

5/16" x 4"
RSS Stainless

5/16" x 3-1/8"
RSS Stainless

5/16" x 2-1/2"
RSS Stainless

1/4" x 2-1/2"
RSS Stainless

#10 x 2-1/2"
R4 Stainless

Pre-Installation Check

Check off all items received, against the packing list. Notify your local sales representative immediately of any items that are missing or that may be damaged.

PLAYTOPIA, INC. IS NOT RESPONSIBLE
FOR ITEMS DISCOVERED MISSING
AFTER 72 HOURS FROM TIME OF
DELIVERY.

**PRE-DRILLING IS REQUIRED. ALL LOCATIONS WHERE
HARDWARE IS TO BE FASTENED REQUIRES PRE-
DRILLING TO ENSURE PROPER INSTALLATION AND
STRUCTURAL INTEGRITY. WE ARE NOT RESPONSIBLE
FOR INSTALLATION OR STRUCTURAL ISSUES THAT
ARISE FROM NOT PRE-DRILLING ATTACHMENTS.**

This space intentionally left blank.

Introduction

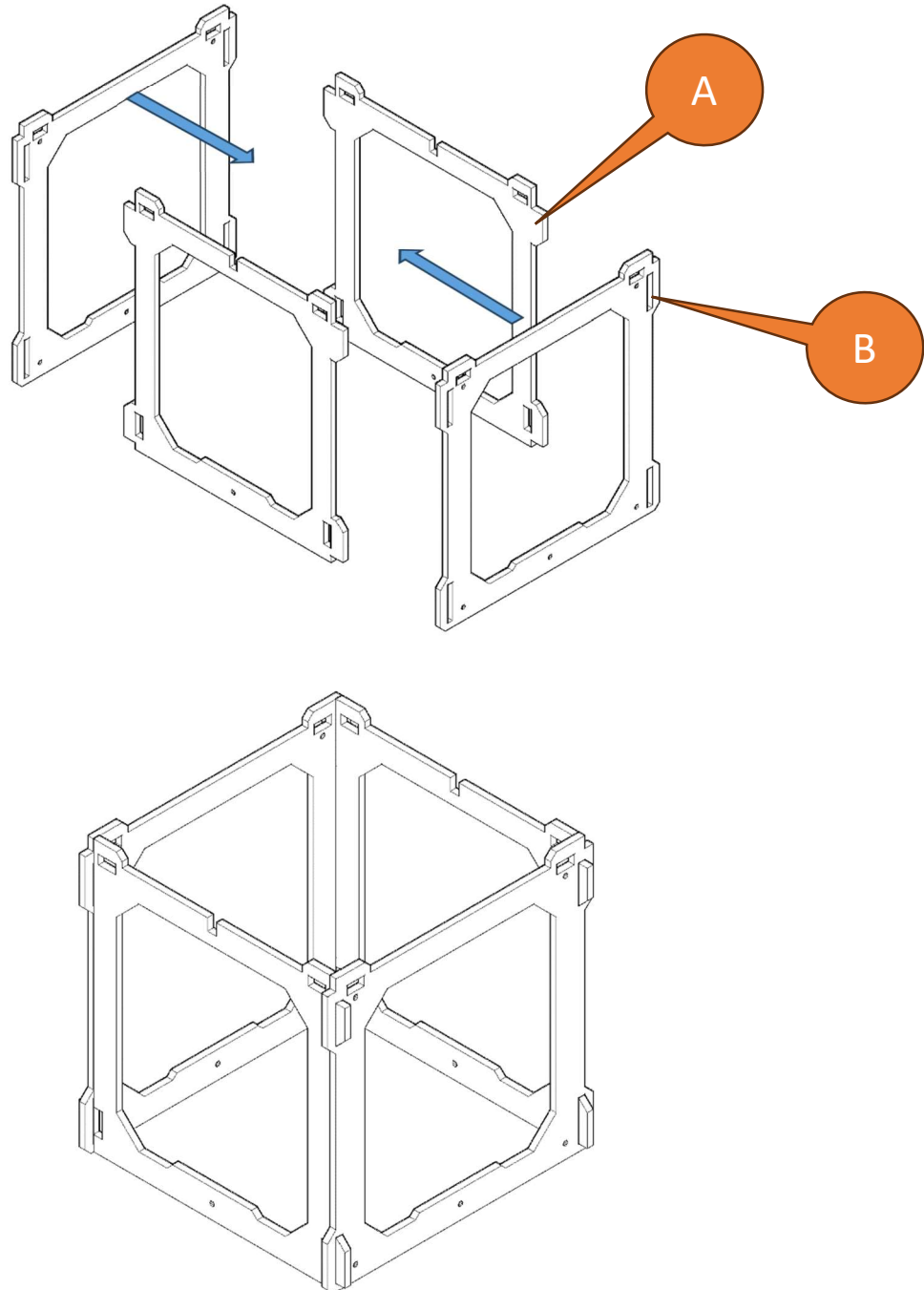
Bark Bloxx was designed for easy assembly with just a couple of simple tools. Utilizing a proprietary interlocking “block system” ensures that your Bark Bloxx products will not only be easily assembled, but incredibly sturdy and durable and last for many years to come.

The following diagrams will illustrate how easily the Bark Bloxx system is assembled. All Bark Bloxx pieces assembled in the same manner and the example used applies to the entire Bark Bloxx system.



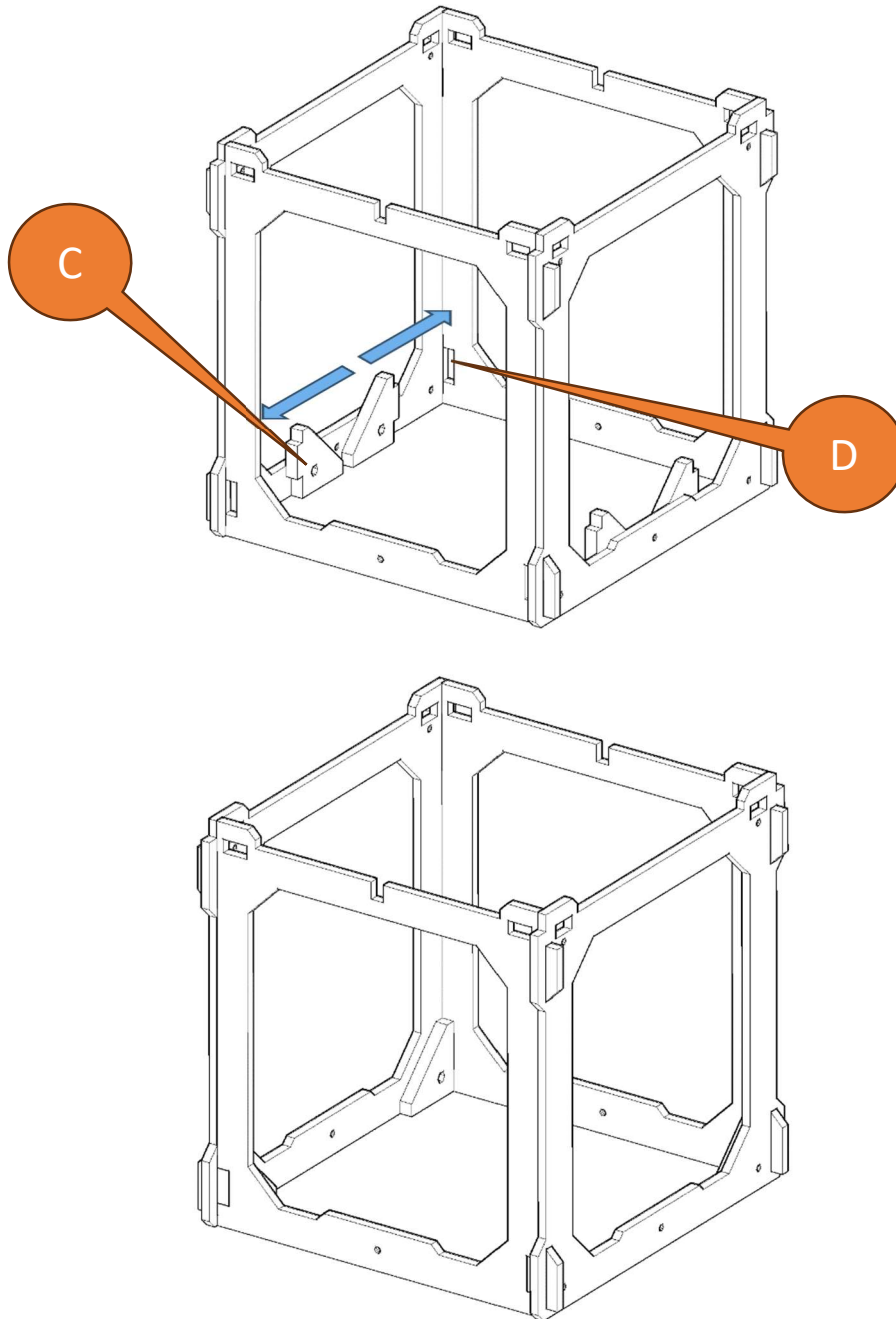
Step: 1

All Bark Bloxx components begin with the base assembly panels like shown below (Cube). Locate your panels and slide the slots (A) into the notched holes (B) on the corresponding panels.



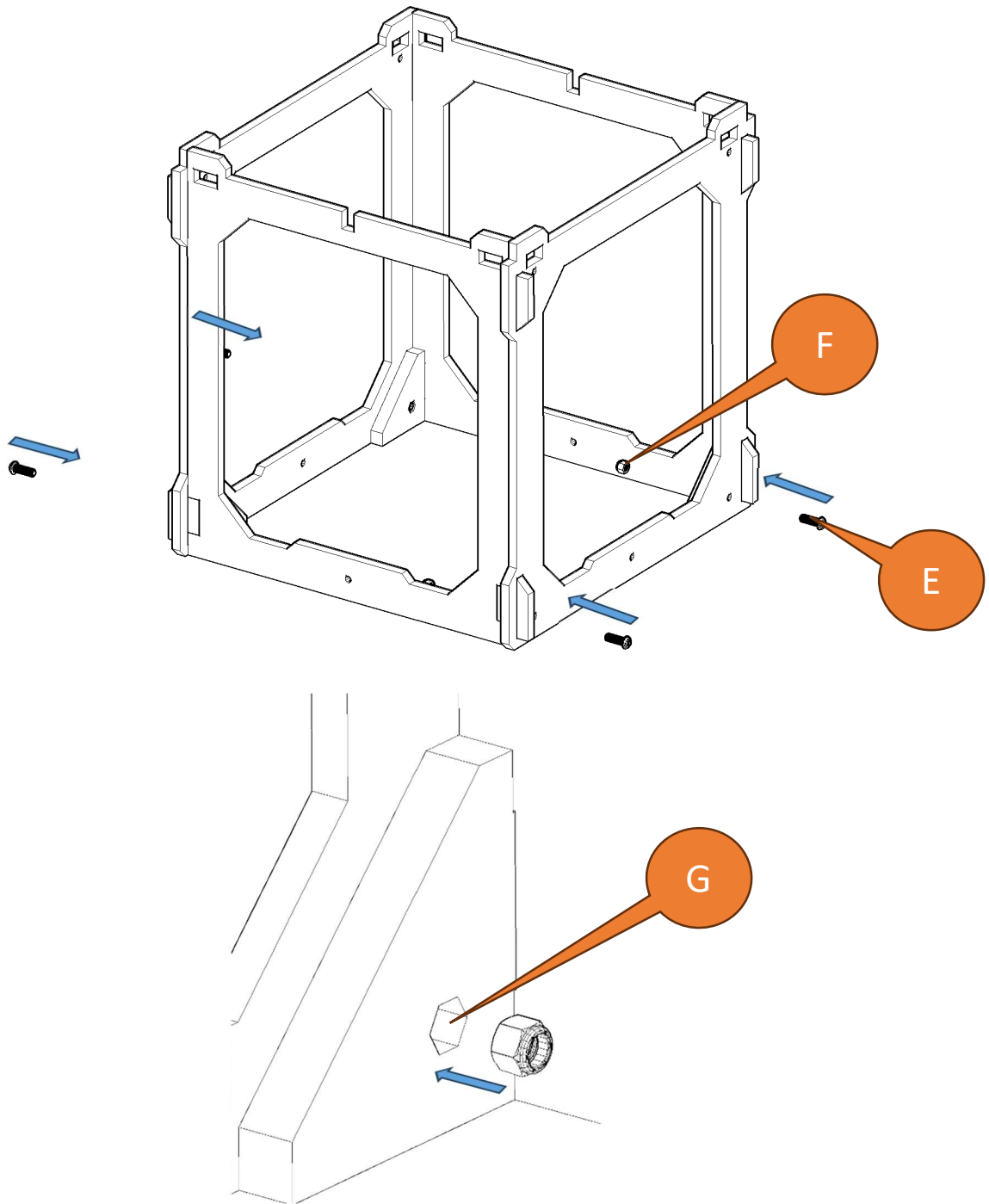
Step: 2

Bark Bloxx utilizes interlocking blocks (C) like shown below to connect panels together. Locate the interlocking blocks for your component and slide them into the corresponding slots (D) like shown below.



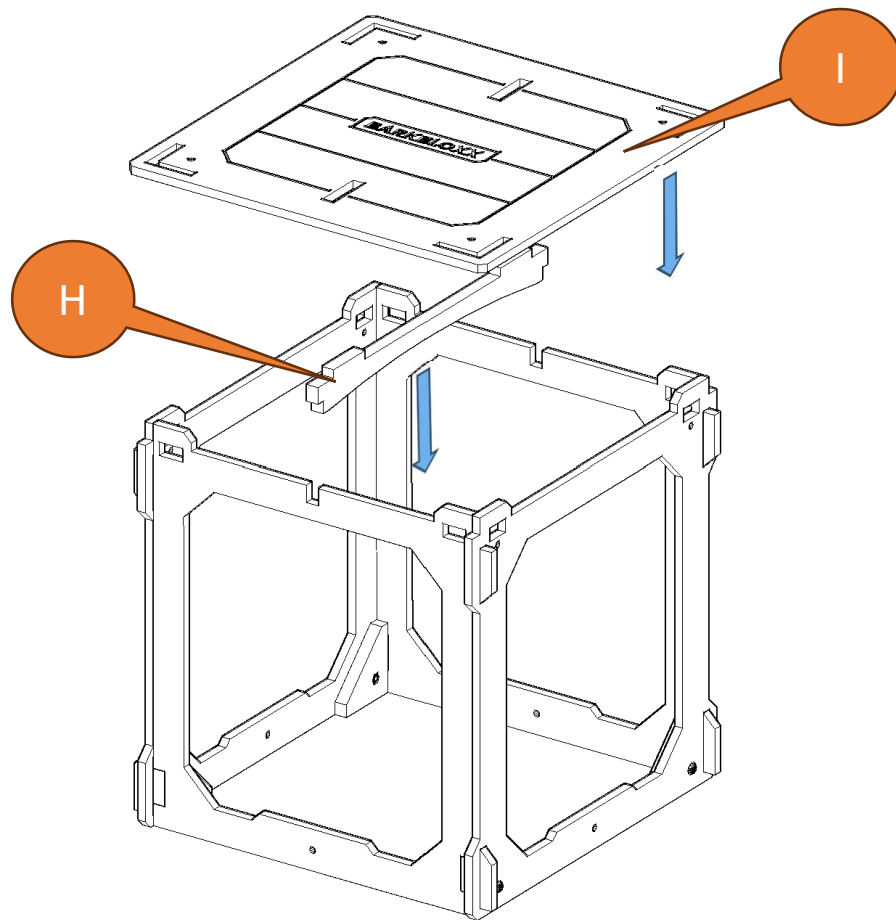
Step: 3

With the interlocking block(s) in place, locate the corresponding bolt (E) and nut (F) and fasten the block in place. The interlocking block contains a recess (G) to hold the nut in place while fastening the bolt, as shown below.



Step: 4

With the frame completely assembled, locate the support bar (H) and the platform (I) and insert them into the corresponding slots.



Step: 5

With the platform in place, locate the (4) support brackets (H) and insert them into the corresponding slots as shown below. Proceed to fasten the bolt and nut through the platform (I) and through the supporting bracket (H) and tighten the nut to **complete the assembly!**

