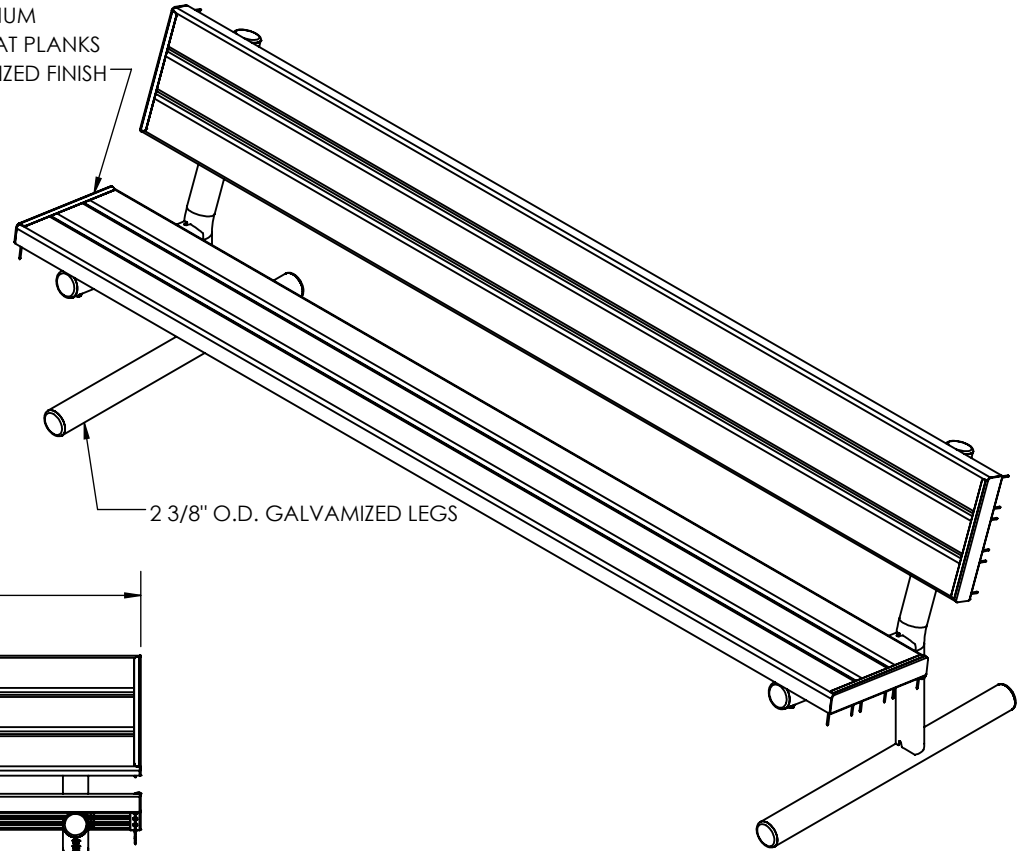
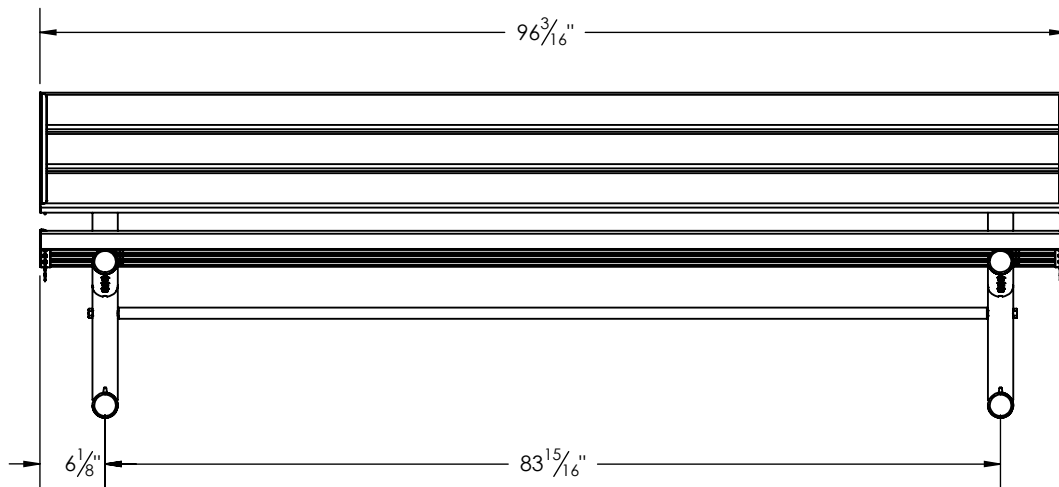


2"X 4" ALUMINUM  
EXTRUDED SEAT PLANKS  
WITH ANODDIZED FINISH



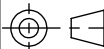
2 3/8" O.D. GALVAMIZED LEGS



WGT: 62 LBS

GENERAL NOTES

DIMENSIONS ARE IN INCHES  
TOLERANCES: LINEAR: ± 1/16  
ANGULAR: ± 1°



SHEET SIZE

**A**

SCALE

**1:16**

REV

CONFIDENTIAL DRAWING.  
INFORMATION IS NOT TO BE COPIED OR  
DISCLOSED TO OTHERS WITHOUT  
CONSENT OF KAY INDUSTRIES.  
SPECIFICATIONS SUBJECT TO CHANGE  
WITHOUT NOTICE.

DRAWN BY

JNB

6/12/2014

DESC: 8' 2"x4" PORTABLE BENCH

APPROVED

MATL:

LAST SAVED

johnb

6/1/2017

**PART NO: 82PGAS**