

WALL MOUNTED BOTTLE FILLER WITH ANGLED DRINKING FOUNTAIN

STANDARD FEATURES

- Bottle Filler and Drinking Fountain Adult ADA Compliant (when properly installed)
- Optionally Available with "Hands Free" Controls
- Extra Height Bottle Filler with Laminar Flow Spout
- Resistant to Sunlight, Heat, Moisture and wear
- 18 Gauge, Type 304 Stn Stl Drinking Fountain Bowl
- 12 Gauge, Heavy Duty Stainless Steel Construction with Corrosion and Scratch Resistant Finish
- Polished Stainless Steel, Anti-Rotation, Non-Squirt Bubbler
- Heavy Duty, Stainless Steel Access Covers
- 1/4" Thick Stainless Steel Mounting Plate
- Lead and Cyst Water Filter (N/A with -FRA option)
- 100-Mesh Inlet Strainer

SUGGESTED SPECIFICATIONS

Wall Mounted Round Bottle Filler with Drinking Fountain shall be Murdock model GYE14. Construction shall be 12 gauge, all stainless steel with 18 gauge type 304 stainless steel fountain bowl. Provide 1/4" thick stainless steel mounting plate to securely anchor unit to wall. Access Panels shall be secured with vandal-resistant stainless steel screws. Drinking Fountain shall be activated by a front mounted self-closing Pushbutton with Cartridge Valve Assembly, using less than 5 pounds of force to activate with an adjustable stream regulator controlling the water flow. Bubblers shall be stainless steel with non-squirt feature and operate on water pressure range of 20-105 PSIG. Extra height Bottle Filler shall be activated a Pneumatic Pushbutton using less than 5 lbs of force to activate and provide 1.0 GPM from Laminar Flow Spout. **P-Trap shall be installer provided behind wall** (Optional -PT P-Trap with access below fixture is available). Unit shall contain a 100-mesh Inlet Strainer, with lead and cyst Filter. Fountain shall comply with ANSI A117.1, Public Law 111-380 (NO-LEAD), CHSC 116875 and NSF/ANSI 61, Section 9. Fixture to meet ADA and ADA Reach requirements when mounted appropriately.



Model: GYE15-R Shown

"FOR INDOOR AND OUTDOOR USE"

MODEL:

(Must Specify)

- Satin Stainless Finish
- Green Powder-Coated (Shown)
- Red Powder-Coated
- Blue Powder-Coated

Custom color finishes available upon request

ADA DRINKING FOUNTAIN ORIENTATION

(Must Specify)

- L ADA Drinking Fountain Left Side (Opposite)
- R ADA Drinking Fountain Right Side (Shown)

OPTIONAL ACCESSORIES

(additional costs may be incurred)

- FRA2 Freeze Resistant Valve, Two Valves¹ (Less Filter & Sensor)
- LOGO Customer specified logo
- PT 1-1/4" OD P-Trap (Access Below Fixture)
- SOC Concealed Sensor Operated Drinking Fountain (N/A with -FRA2¹) Battery Operated Standard, Plug-in Power Optional
- SO Sensor Operated Bottle Filler (N/A with -FRA2¹) Battery Operated Standard, Plug-in Power Optional
- 316 Type 316 Stainless Steel Construction

Option Notes:

¹See separate option sheet

Complies with the following standards:



NSF/ANSI 61



Federal Public Law 111-380 (No Lead)



Member of U.S. Green Building Council

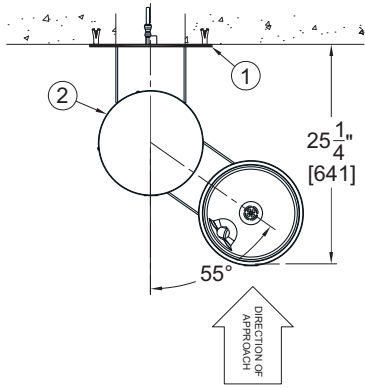


Recyclable Product



Water Conserving Product

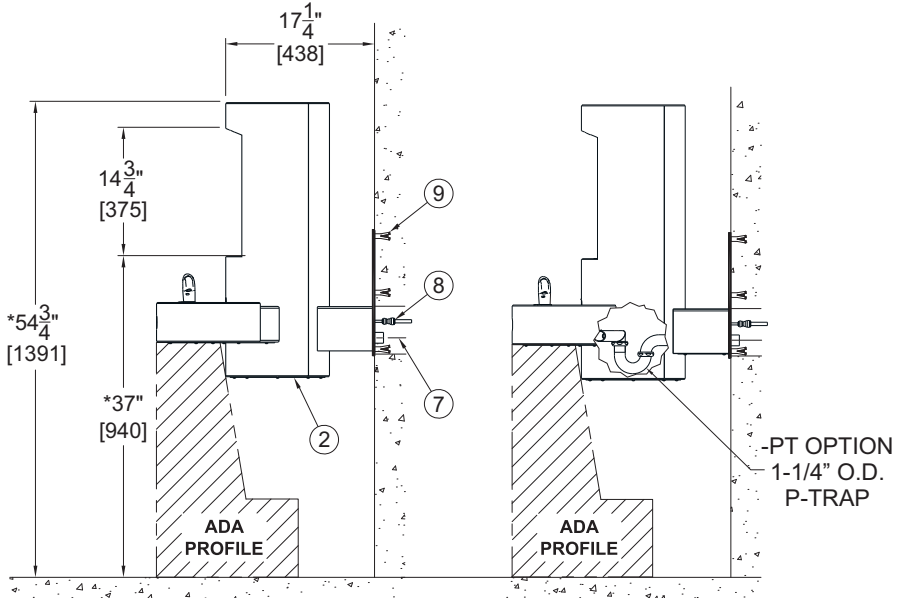
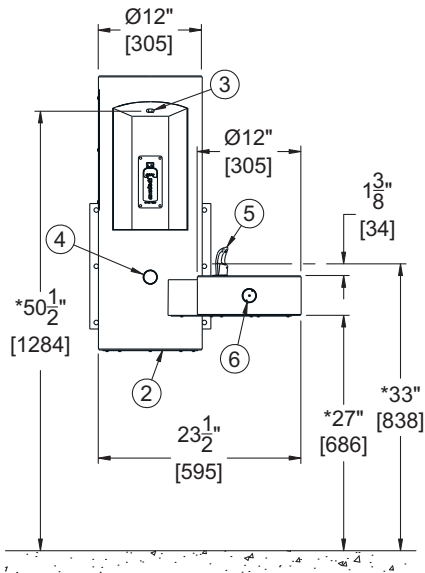
⚠ WARNING: Cancer and Reproductive Harm - www.P65Warnings.ca.gov



* Valve specifications:
Minimum/Maximum
Pressure 30 to 100 psi.

WALL MOUNTED BOTTLE FILLER WITH DRINKING FOUNTAIN

- NOTES:
1. 1/4" THICK SS MOUNTING PLATE
 2. REMOVABLE ACCESS PANELS
 3. BOTTLE FILLER SPOUT
 4. BOTTLE FILLER PUSHBUTTON WITH CARTRIDGE VALVE
 5. DRINKING BUBBLER
 6. DRINKING FOUNTAIN PUSHBUTTON WITH CARTRIDGE VALVE
 7. 1-1/4" O.D. WASTE OUTLET FOR P-TRAP BEHIND WALL (STANDARD) P-TRAP PROVIDED BY OTHERS
 8. 3/8" O.D. SUPPLY CONNECTION
 9. INSTALLER PROVIDED WALL ANCHORS AND ANCHORING HARDWARE



- GENERAL NOTES:
1. ALL DIMENSIONS ARE IN INCHES [MM].
 - *2. DIMENSIONS SHOWN ARE FOR RECOMMENDED ADULT HEIGHT. ADJUST VERTICAL DIMENSIONS AS NECESSARY TO COMPLY WITH FEDERAL, STATE, & LOCAL CODES.
 3. STOP VALVE NOT PROVIDED.

IMPORTANT: Refer to installation instructions for complete rough-in and technical data.
NOTE: Some options may change standard roughs.