

## **INSTALLATION INFORMATION**

### **IMPORTANT:**

1. Water Supply Service Stop Valve and Water Connections to be supplied by others in accordance with local codes.
2. Waste is 1-1/4" Outer Diameter. Drinking Fountain water inlet is 3/8" Outer Diameter copper tube.
3. Completely flush supply lines of all foreign debris before connecting to fixture.
4. All burrs must be removed from outside of cut tubes before inserting into strainer or other components.
5. *Per UPC 609.10-All building water supply systems in which quick acting valves are installed shall be provided with devices to absorb the hammer caused by high pressure resulting from the quick closing of the valve. These pressure-absorbing devices shall be approved mechanical devices. Water pressure-absorbing devices shall be installed as close as possible to the quick closing valve.*

### **PRIOR TO INSTALLATION:**

1. Read all installation instructions carefully, before proceeding.
2. Carefully remove fixture from packaging, preventing scratching or damage.
3. Provide mounting surface, sufficient to support the fixture and loads on the fixture, concrete is recommended.
4. Provide rough-ins as shown on the roughing-in and dimensional drawing, including water supply and drain pipe.
5. Completely flush water supply lines of all foreign debris, before connecting to the fixture.

### **INSTALLATION:**

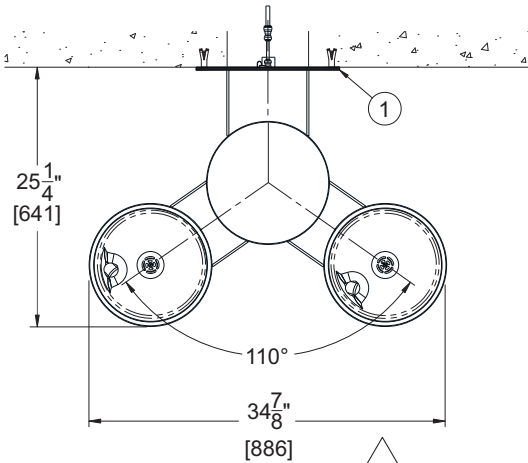
1. Create sufficient Blockout Area and mounting preparation according to Rough-In and Dimensional Drawing.
2. Mount and secure Wall Mounting Plate to wall horizontally level as shown in Rough-In and Technical Dimensions.  
**NOTE:** Adjust height of bracket if deck (rim) height is required to differ from dimensions shown.  
**WARNING:** Wall Mounting Plate **MUST** be securely anchored to wall with fasteners sufficient to support a minimum pull-out rating of 1000lbs (454kg). **If wall can not provide adequate support, order and install a fixture support carrier.**
3. Remove Central Fixture Bottom Access Panel and set aside in a safe place. Save the screws in a secure location for re-use in later stages of installation.
4. Prepare Fixture Assembly for mounting by ensuring all supply and waste connections are securely attached and ensuring that the 1/4" All-Thread Bolts (Provided) are loosely attached to the fixture.
5. Mount and secure Fixture Assembly to Wall Mounting Plate by making sure that all four 1/2" All-Thread Bolts (Provided) align and secure successfully.
6. Make up 3/8" OD Supply Connection to water supply, and 1-1/4" OD waste to P-Trap (by others). Attach Central Fixture Bottom Access Panel using previously set-aside screws.

### **DRINKING FOUNTAIN START UP:**

1. Before connecting power supply, but after thoroughly flushing the supply line, turn on building water supply and check all connections for leaks.
2. Air within the drinking fountain system or the structure supply piping will cause an irregular bubbler outlet stream until purged out by incoming water. Covering the bubbler with a clean cup (or similar object) is recommended when first activating drinking fountain to prevent excessive splashing. Depress front push pad until steady water stream is achieved.
3. If water flow requires adjustment, insert a slotted narrow blade screwdriver in the hole centered on the underside of the fixture in the knee clearance area up to the flow regulator. Turning clockwise will increase flow and turning counterclockwise will decrease flow.
4. Recheck all water connections with water flowing through system.

## ROUGH-IN AND TECHNICAL DIMENSIONS

### TOP VIEW



\* Valve specifications:  
Minimum/Maximum  
Pressure 30 to 100 psi.

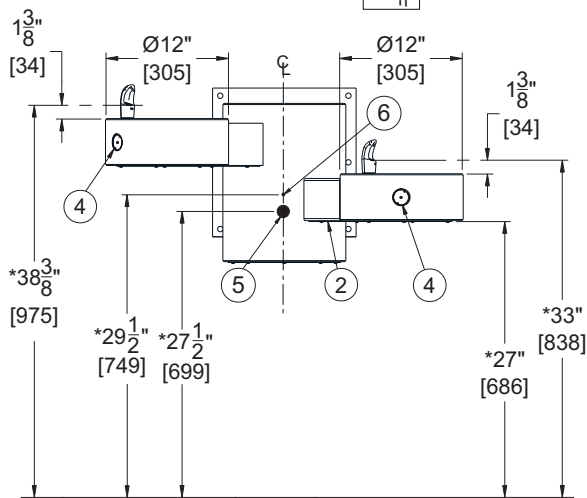
#### GENERAL NOTES:

1. 1/4" THICK MOUNTING PLATE
2. REMOVABLE ACCESS PANELS
3. DRINKING BUBBLER
4. DRINKING FOUNTAIN PUSHBUTTON WITH CARTRIDGE VALVE

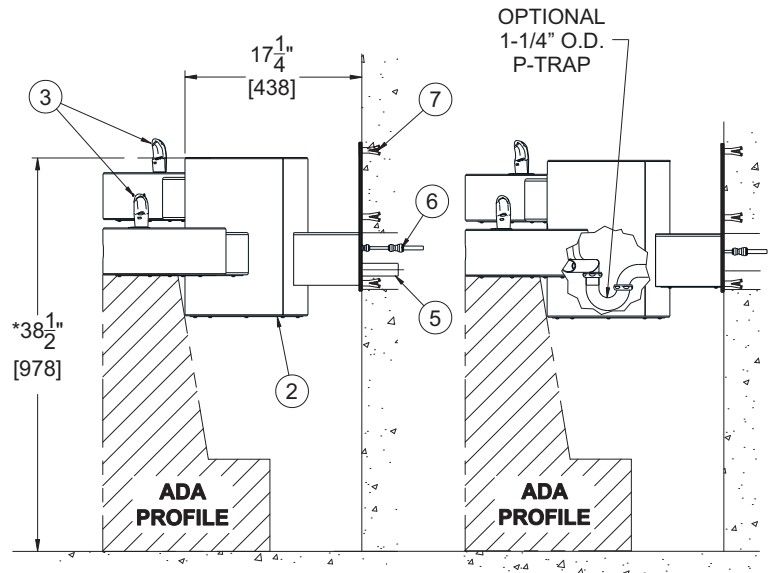
#### ROUGH-IN NOTES:

5. 1-1/4" O.D. WASTE OUTLET FOR P-TRAP BEHIND WALL (STANDARD) P-TRAP PROVIDED BY OTHERS
6. 3/8" O.D. SUPPLY CONNECTION
7. 1/2" DIAMETER INSTALLER PROVIDED WALL ANCHORS AND ANCHORING HARDWARE

### FRONT VIEW



### SIDE VIEW



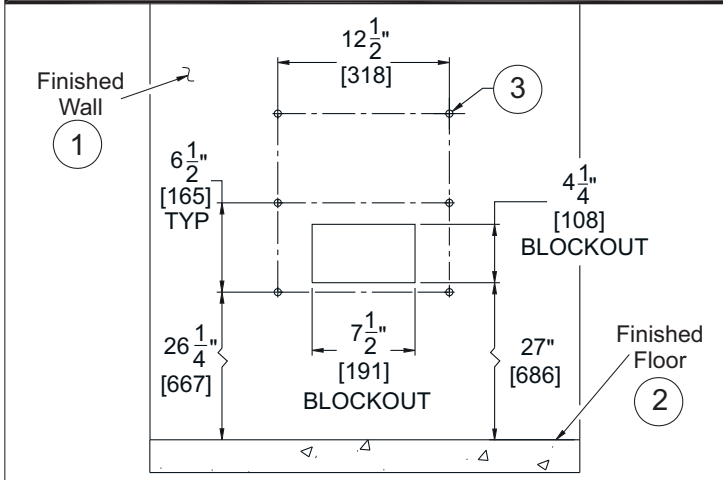
### GRE24 SHOWN

#### GENERAL NOTES:

1. ALL DIMENSIONS ARE IN INCHES [MM].
- \*2. DIMENSIONS SHOWN ARE FOR RECOMMENDED ADULT HEIGHT. ADJUST VERTICAL DIMENSIONS AS NECESSARY TO COMPLY WITH FEDERAL, STATE, & LOCAL CODES.
3. STOP VALVE NOT PROVIDED.

## FIXTURE MOUNTING AND ANCHORING

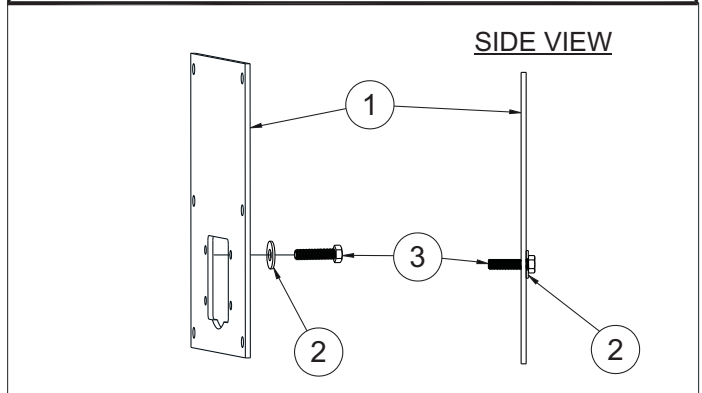
**1** Make up Mounting Rough-In and Blockout Area into sufficient wall backing.



**IMPORTANT:** Industry standard wall backing for wall hung fixtures is required. Installer provided wall anchors and wall anchoring hardware must be appropriate for wall construction and have a minimum pull-out rating of 1000lbs (454kg).

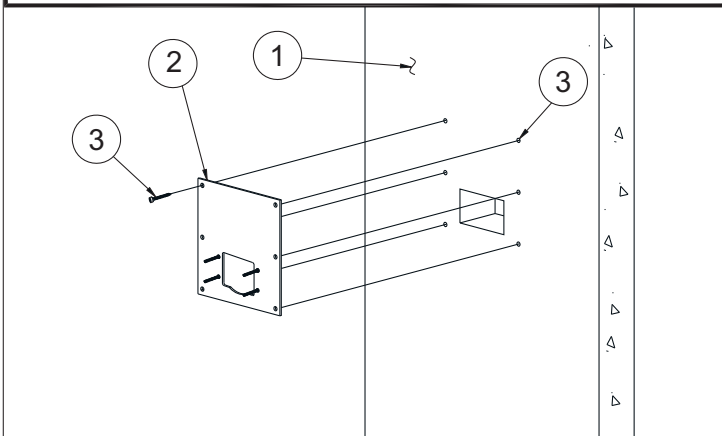
- 1 Finished Wall
- 2 Finished Floor
- 3 Ø1/2" Wall Anchors (Not Provided)

**2** Install 1/2"-13 x 2" Long Bolts (Provided) into the Mounting Plate from rear.



- 1 Mounting Plate
- 2 1/2" Flat Washer
- 3 1/2"-13 x 2" Long Bolts (Provided)

**3** Secure Wall Mounting Plate to the Finished Wall using Installer Provided Hardware.

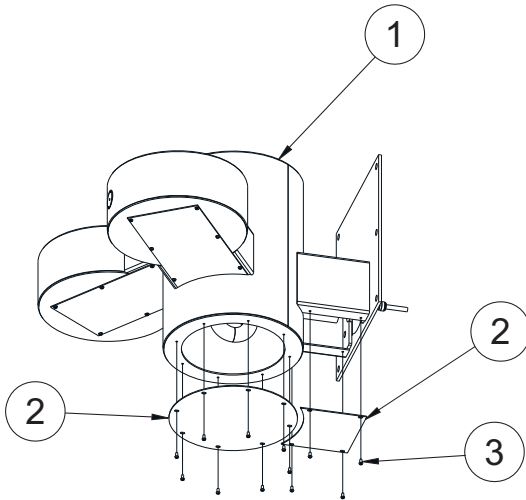


**NOTE:** It is recommended to level and plumb Wall Mounting Plate prior to mounting Fixture Assembly.


- 1 Finished Wall
- 2 Mounting Plate
- 3 Ø1/2" Installer Provided Wall Fasteners/Anchors

## **FIXTURE MOUNTING AND ANCHORING (CONTINUED)**

**4** Remove Bottle Filler Bottom Access Panel and set aside for later Installation.

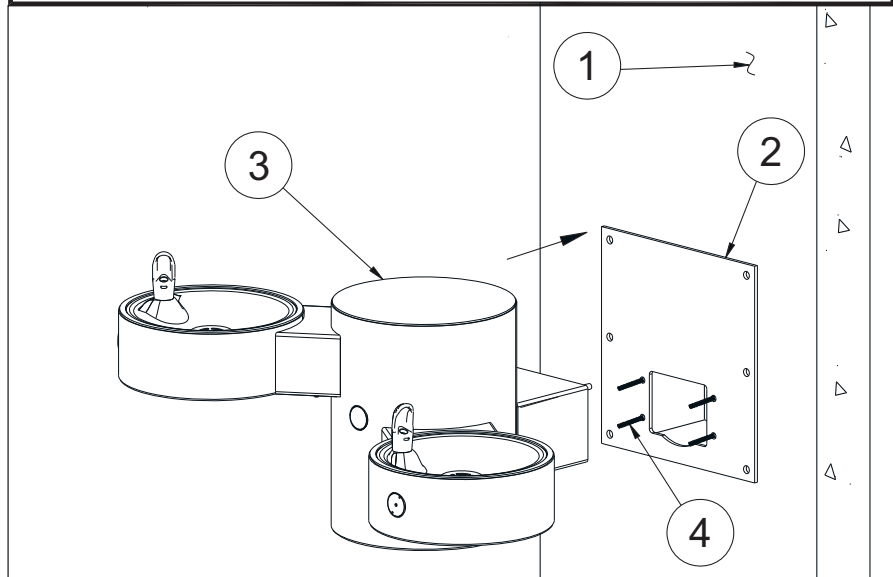


- 1 Fixture Assembly
- 2 Bottle Filler Bottom Access Panels
- 3 #10-32 UNF Hex Screws (Provided)

 **NOTE:** It is recommended to level and plumb the Fixture Assembly prior to Securing Fixture Assembly to Mounting Plate.

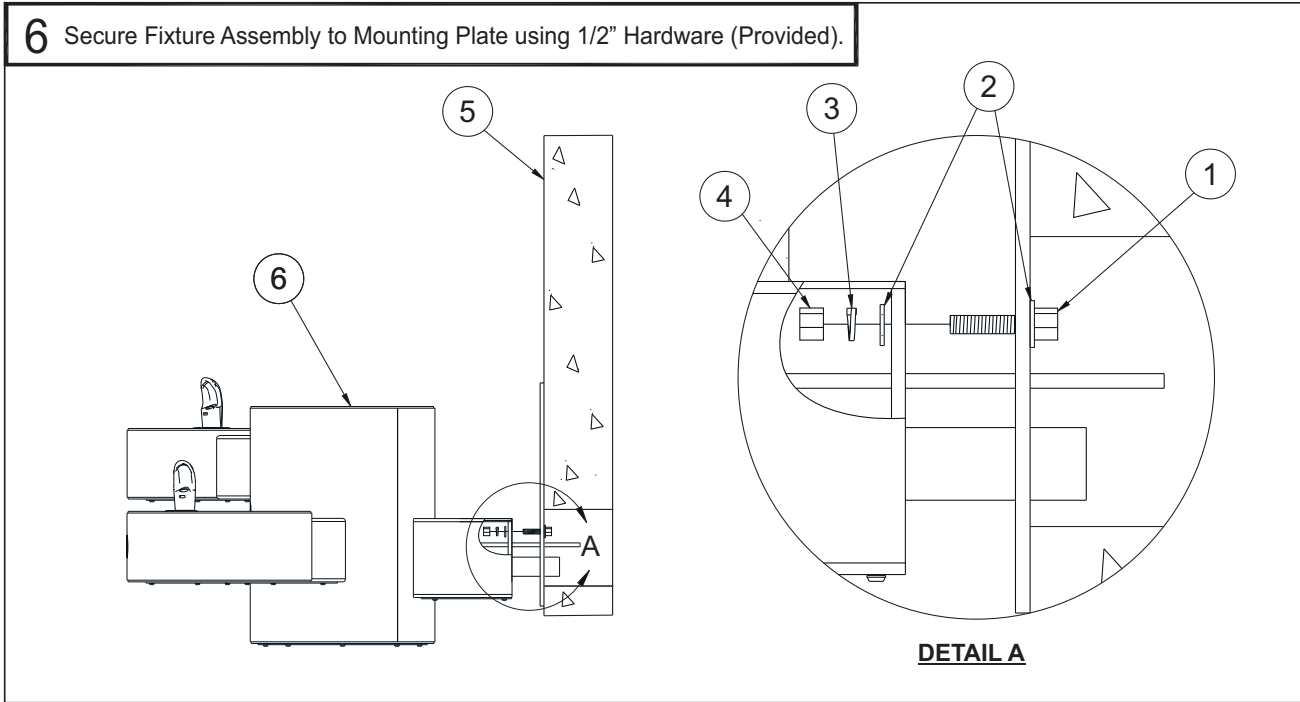
**5** Mount Fixture Assembly onto the Mounting Plate by sliding unit over the 1/2"-13 x 2" Long Bolts.

- 1 Finished Wall
- 2 Mounting Plate
- 3 Fixture Assembly
- 4 1/2"-13 x 2" Long Bolts (Provided)



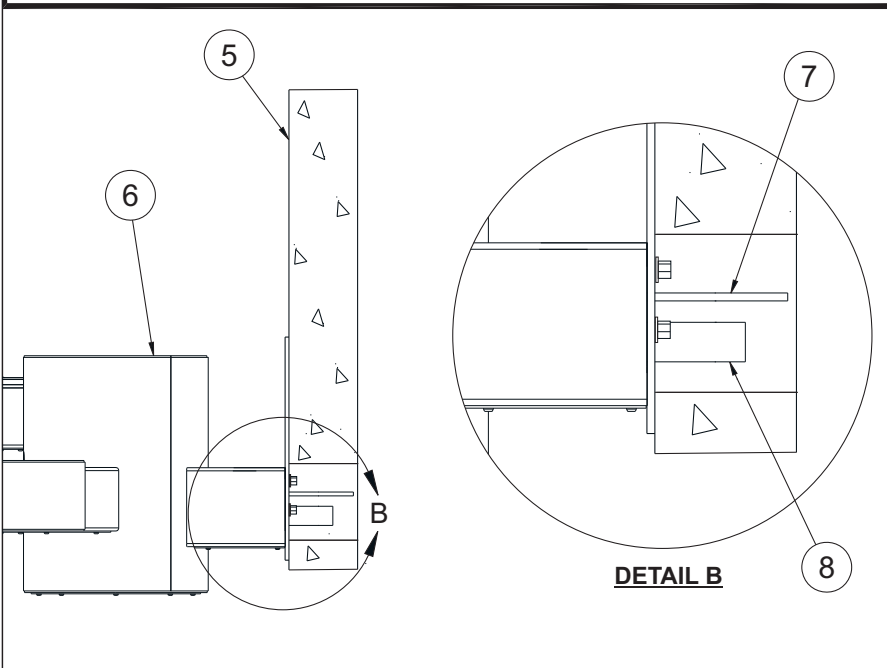
## **FIXTURE MOUNTING AND ANCHORING (CONTINUED)**

**6** Secure Fixture Assembly to Mounting Plate using 1/2" Hardware (Provided).



**7A**

Make up 3/8" OD Supply Connection to water supply, and 1-1/4" OD waste to P-Trap (by others). Attach Bottle Filler Bottom Access Panel using previously set-aside screws.



## **STANDARD MODELS**

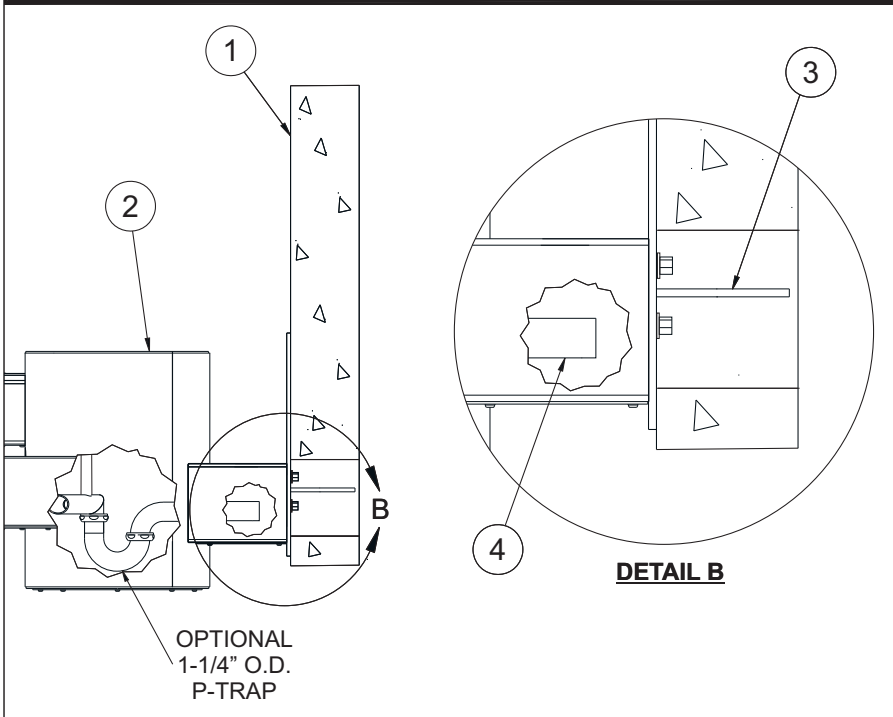
- ① 1/2"-13 x 2" Long Bolts (Provided)
- ② 1/2" Flat Washers (Provided)
- ③ 1/2" Helical Lockwasher (Provided)
- ④ 1/2"-13 UNC Hex Nut (Provided)
- ⑤ Finished Wall
- ⑥ Fixture Assembly
- ⑦ 3/8" OD Supply Connection
- ⑧ 1-1/4" OD Waste Outlet for P-Trap Behind Wall (Standard) P-Trap provided by others

NOTE: FOR MODELS WITH (-PT) P-TRAP OPTION, REFER TO STEP 7B.

**FIXTURE MOUNTING AND ANCHORING (CONTINUED)**

**7B**

Make up 3/8" OD Supply Connection to water supply, and 1-1/4" OD Optional P-Trap Waste Outlet (Provided). Attach Bottle Filler Bottom Access Panel using previously set-aside screws.



**MODELS WITH  
-PT OPTION**

- ① Finished Wall
- ② Fixture Assembly
- ③ 3/8" OD Supply Connection
- ④ 1-1/4" OD Waste Outlet with Optional P-Trap (Provided)

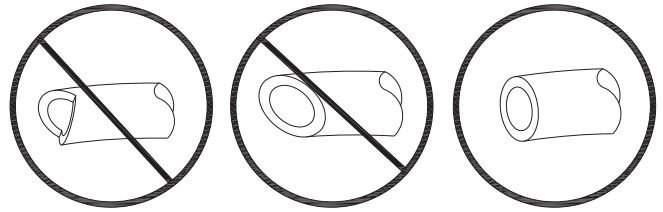
## PUSH-IN FITTING INSTALLATION

NOTE: FITTINGS AND TUBE SHOULD BE KEPT CLEAN, BAGGED AND UNDAMAGED PRIOR TO INSTALLATION.

---

### TO CUT TUBE:

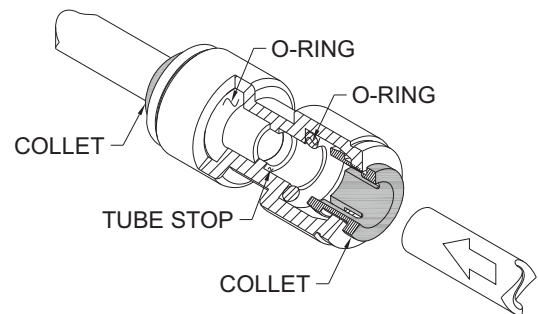
Cut to fit length of 1/4" PE tubing and remove any burrs or sharp edges. Ensure that the outside diameter is free from score marks. Tube ends should be square.



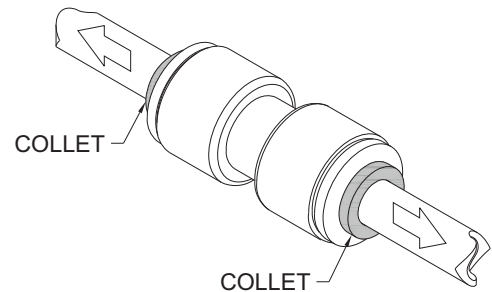
---

### INSERTING THE TUBE:

1. Firmly and fully insert the tubing end into the push-in fitting up to the tube stop located approximately 1/2" deep.



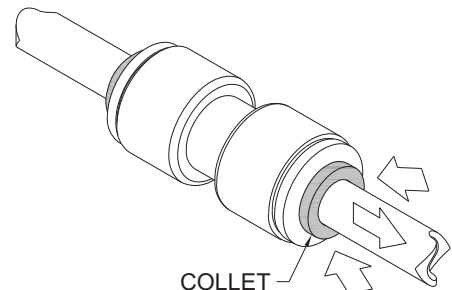
2. Pull on the fitted tubing to ensure it is secure. Tube should not come free from the fitting. Water test the connection assembly prior to leaving the site to ensure there are no leaks.



---

### DISCONNECTING THE TUBE:

To disconnect the tube from the fitting ensure that the water line is depressurized. Push collet square towards the push-in fitting body and hold. While holding the collet in, pull on the PE tubing to remove from the push-in fitting.



## **TROUBLESHOOTING AND MAINTENANCE**

### **TROUBLESHOOTING:**

#### **1. RESTRICTED OR NO WATER FLOW:**

- a. Ensure Water Supply service stop valve is fully open.
- b. Verify minimum 20 psig supply line flow pressure.
- c. Check for twist or kinks in spout tubing.
- d. Check the water inlet "Y" strainer. Sediment from the main supply can get trapped in the screen along with installation materials such as pipe dope and flux. The screen should be cleaned and checked on a regular basis and replace if needed.
- e. Flow control in solenoid valve outlet elbow clogged remove & clean.

### **SENSOR TROUBLESHOOTING:**

#### **1. IF LIGHT WITHIN SENSOR DOES NOT FLASH ONCE WHEN USER IS WITHIN RANGE:**

- a. Verify 9VDC output of battery pack.
- b. Replace defective batteries.
- c. Sensor in "Security Mode" after 30 seconds of constant detection. Remove source of detection and wait 30 second before checking.
- d. Sensor is picking up a highly reflective surface. Eliminate cause of reflection and wait 30 seconds before checking.

#### **2. IF LIGHT WITHIN SENSOR LENS FLASHES ONCE WHEN THE USER IS WITHIN RANGE:**

- a. Repair bad connection from sensor to solenoid.
- b. There is debris or scale in the solenoid assembly. Remove solenoid, pull out plunger and spring. Clean with scale remover solution.
- c. There is debris or scale in center or two holes in convolution of the water diaphragm. Remove and clean.

### **CLEANING & MAINTENANCE GUIDE:**

**For Powder coated units:** Units should be cleaned using a mild soap solution with a sponge or cotton cloth. Wipe down surfaces then rinse with clean water.

#### **For Stainless steel units:**

1. To remove water spots or rust spots, stainless steel cleaner/polish on a cloth is recommended.
2. If there are stubborn spots or if you wish to treat a scratch, synthetic abrasive general purpose pads such as scotch brite are recommended.
3. Apply stainless steel cleaner/polish to the synthetic abrasive pads and carefully rub the panel with the grain.
4. DO NOT use harsh chemicals, abrasive or petroleum based cleaners. Use of these will void the Murdock warranty. DO NOT use abrasives on powder coated units.
5. Stainless steel should be kept clean at all times. If a coating of stainless steel cleaner/polish is maintained, stainless steel surfaces will retain their new, clean & polished appearance indefinitely.
6. Periodically remove access panel of cooler and clean out inline "Y" strainer

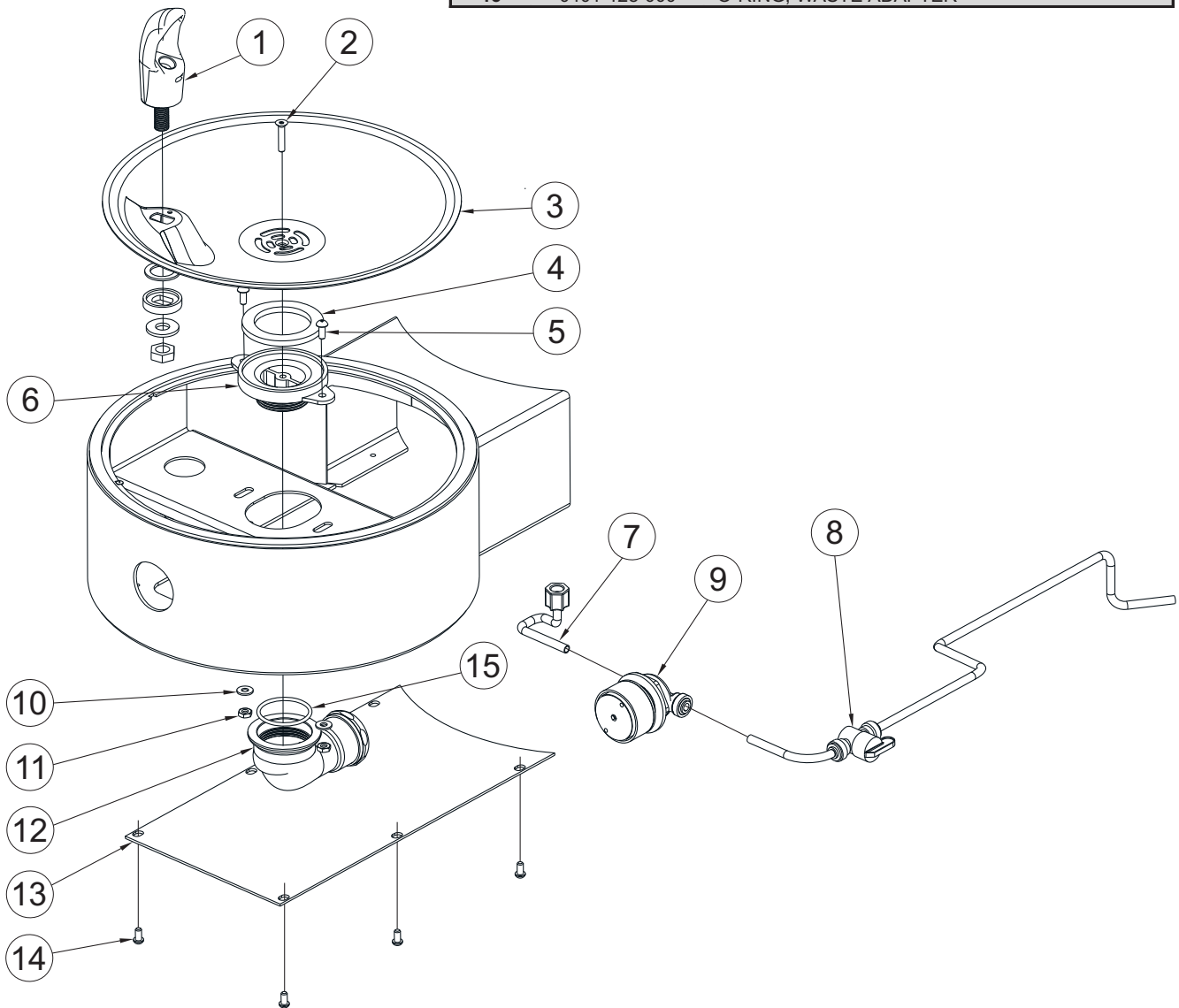


## **DRINKING FOUNTAIN**

### **ASSEMBLY:**

#### **Extended Arms, Pushbutton (Standard), Repair Parts**

ITEM	PART NUMBER	DESCRIPTION
1	7000-012-001	DRINKING BUBBLER ASSY, 7/16-20 UNF, SS
2	0152-010-000	#10-32 UNF x 1" LONG HEX FLAT HEAD SCREW
3	7007-011-001	11" DIAMETER ROUND BOWL, SS
4	7000-006-000	FLAT FOAM ADAPTER GASKET
5	0116-003-000	#10-32 UNF x 1/2" LONG PHILLIPS HEAD SCREW
6	7000-005-199	1-1/4" NPSM DRAIN ADAPTER
7	2169-000-000	1/4" OD LDPE TUBING
8	7000-420-000	1/4" TURN SHUTOFF VALVE
9	7000-065-001	-CV RECESSED PB W/ CARTRIDGE VALVE ASSY
10	0331-004-000	#10 FLAT WASHER, SS
11	0302-004-000	#10-32 UNF HEX NUT, SS
12	7000-017-001	1-1/4" CLOSE ELBOW, SLIP JOINT
13	JSMBF108-199	ACCESS PLATE, ROUND SIDE MOUNT
14	0112-001-000	#10-32 UNF x 3/8" LONG HEX SCREW
15	0401-128-000	O-RING, WASTE ADAPTER



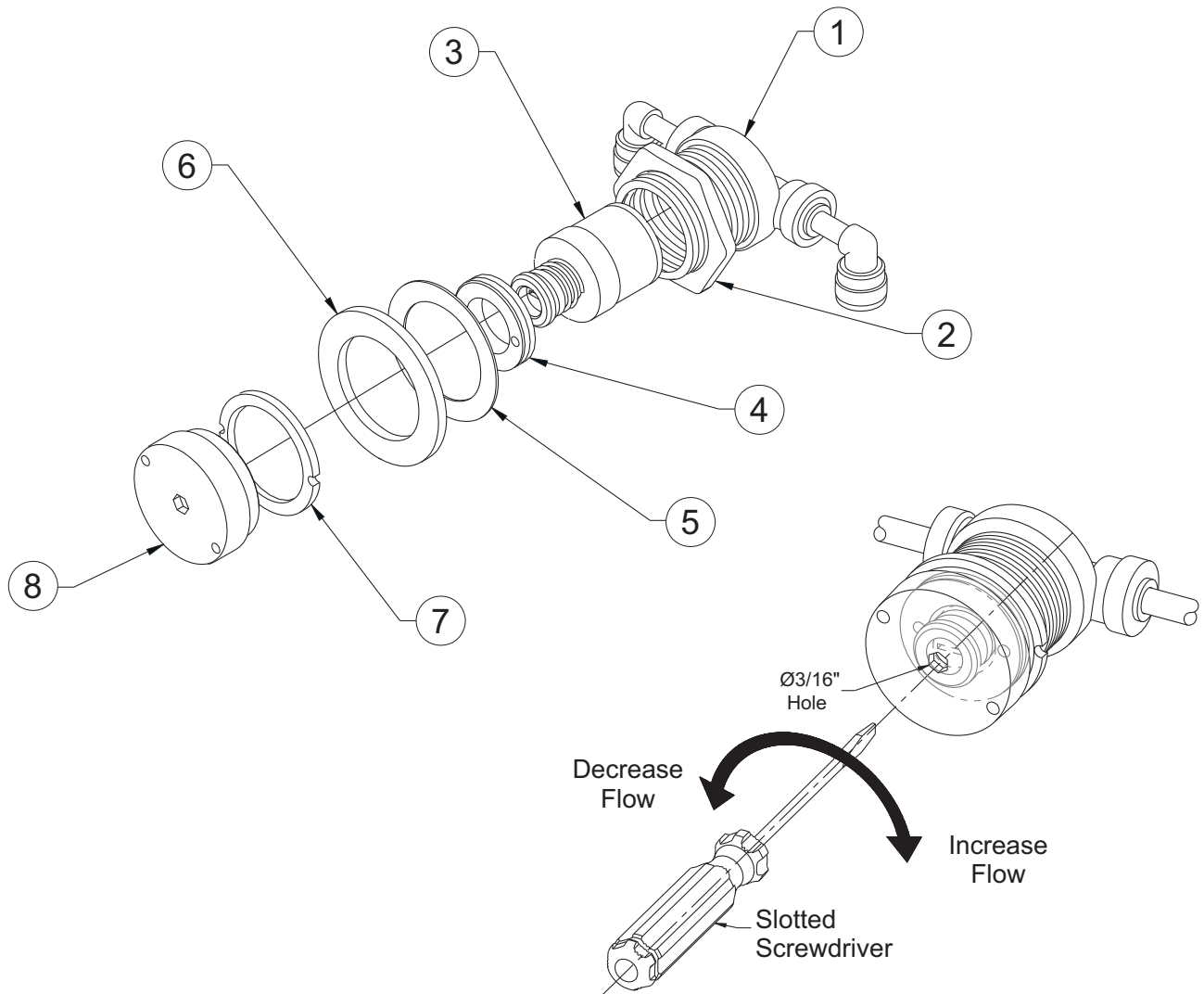
**DRINKING FOUNTAIN**

**CARTRIDGE VALVE**

**PUSHBUTTON ASSEMBLY:**

**Repair Parts**

ITEM	PART NUMBER	DESCRIPTION
1	7000-050-000	REGULATOR VALVE BODY
2	7000-053-199	JAM NUT, 1-1/4"
3	7000-060-000	FLOW REGULATOR CARTRIDGE (0.5 GPM)
4	7000-051-000	RETAINING NUT, VALVE
5	0411-022-000	FIBER RING 1-3/4" x 1-1/4"
6	0431-222-000	RUBBER GASKET
7	7000-063-199	BRASS RETAINER RING
8	7000-091-001	RECESSED PUSH BUTTON W/ HEX ASSY



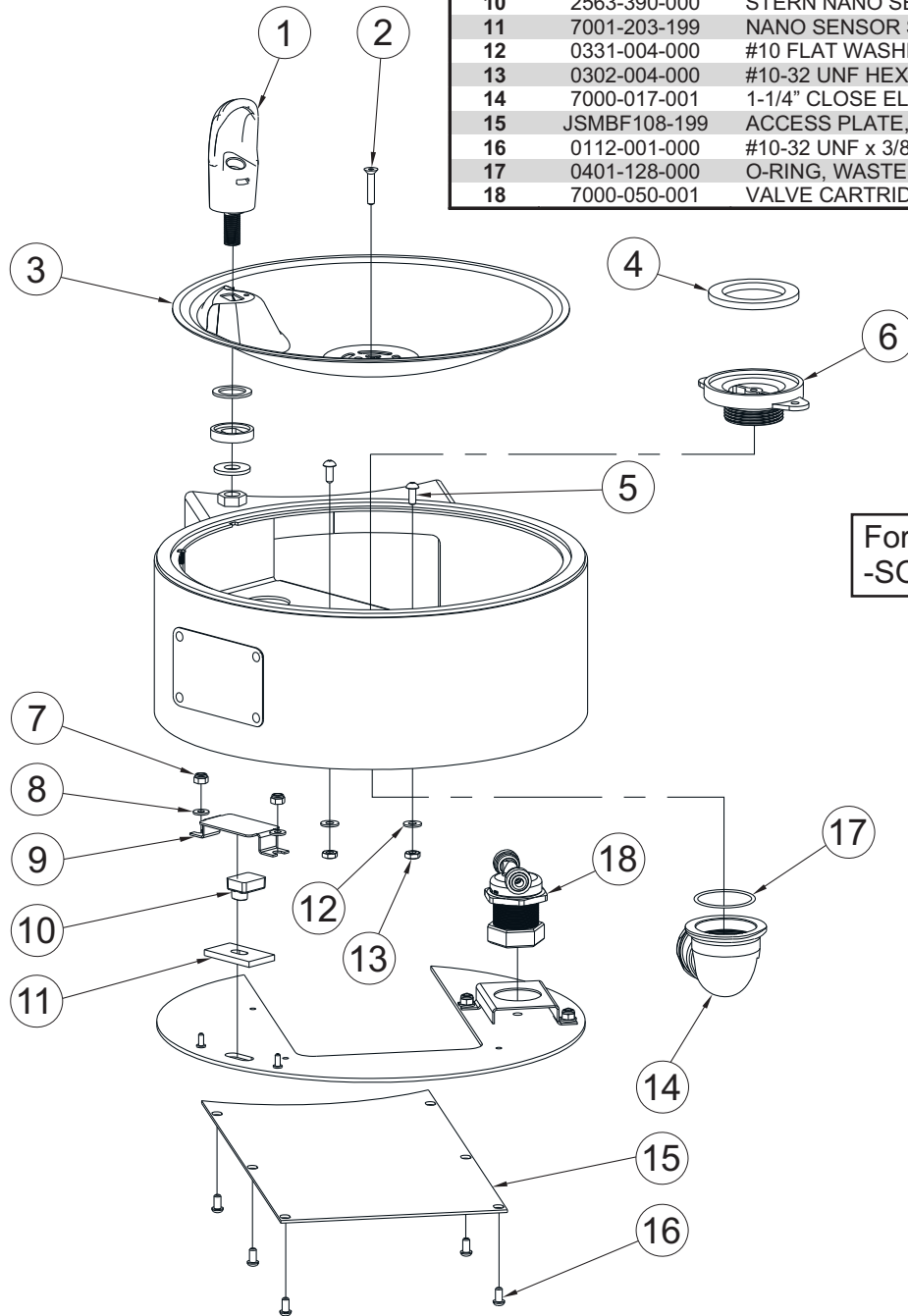
FLOW ADJUSTMENT

# DRINKING FOUNTAIN

## ASSEMBLY:

### Extended Arm, Optional Sensor Operation, Repair Parts

ITEM	PART NUMBER	DESCRIPTION
1	7000-012-001	DRINKING BUBBLER ASSY, 7/16-20 UNF, SS
2	0152-010-000	#10-32 UNF x 1" LONG HEX FLAT HEAD SCREW
3	7007-011-001	11" DIAMETER ROUND BOWL, SS
4	7000-006-000	FLAT FOAM ADAPTER GASKET
5	0116-003-000	#10-32 UNF x 1/2" LONG PHILLIPS HEAD SCREW
6	7000-005-199	1-1/4" NPSM DRAIN ADAPTER
7	0308-009-000	#8-32 NYLON LOCKNUT
8	0331-023-000	SS WASHER
9	7003-958-199	NANO SENSOR HOLD DOWN BRACKET
10	2563-390-000	STERN NANO SENSOR, BLUE 10 SEC
11	7001-203-199	NANO SENSOR SPACER W/ BUSHING
12	0331-004-000	#10 FLAT WASHER, SS
13	0302-004-000	#10-32 UNF HEX NUT, SS
14	7000-017-001	1-1/4" CLOSE ELBOW, SLIP JOINT
15	JSMBF108-199	ACCESS PLATE, ROUND SIDE MOUNT
16	0112-001-000	#10-32 UNF x 3/8" LONG HEX SCREW
17	0401-128-000	O-RING, WASTE ADAPTER
18	7000-050-001	VALVE CARTRIDGE ASSEMBLY



For models with optional  
-SOC Sensor Operation.

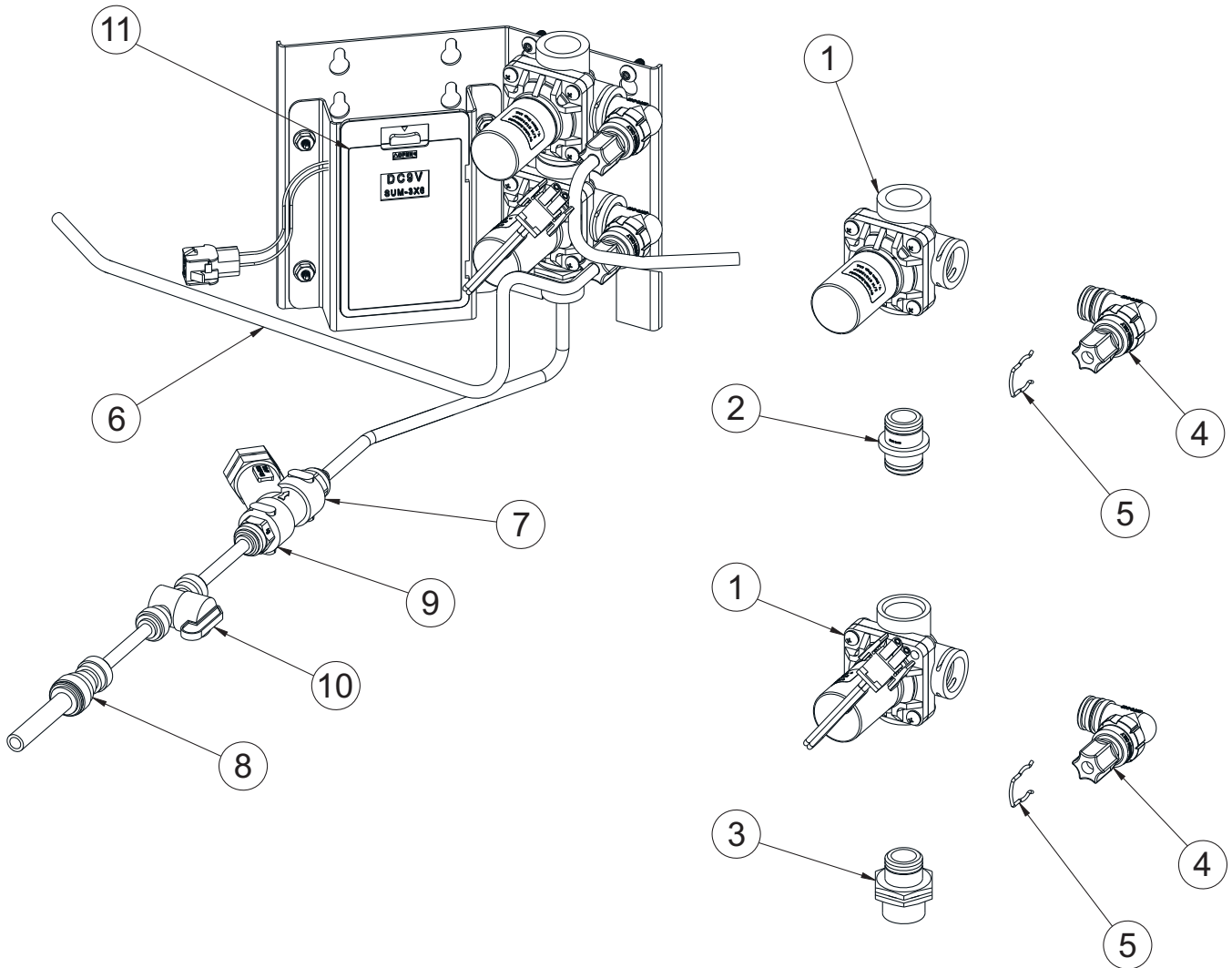
## DRINKING FOUNTAIN VALVE

### ASSEMBLY:

#### Optional Sensor Operation, Repair Parts

For models with optional  
-SOC Sensor Operation.

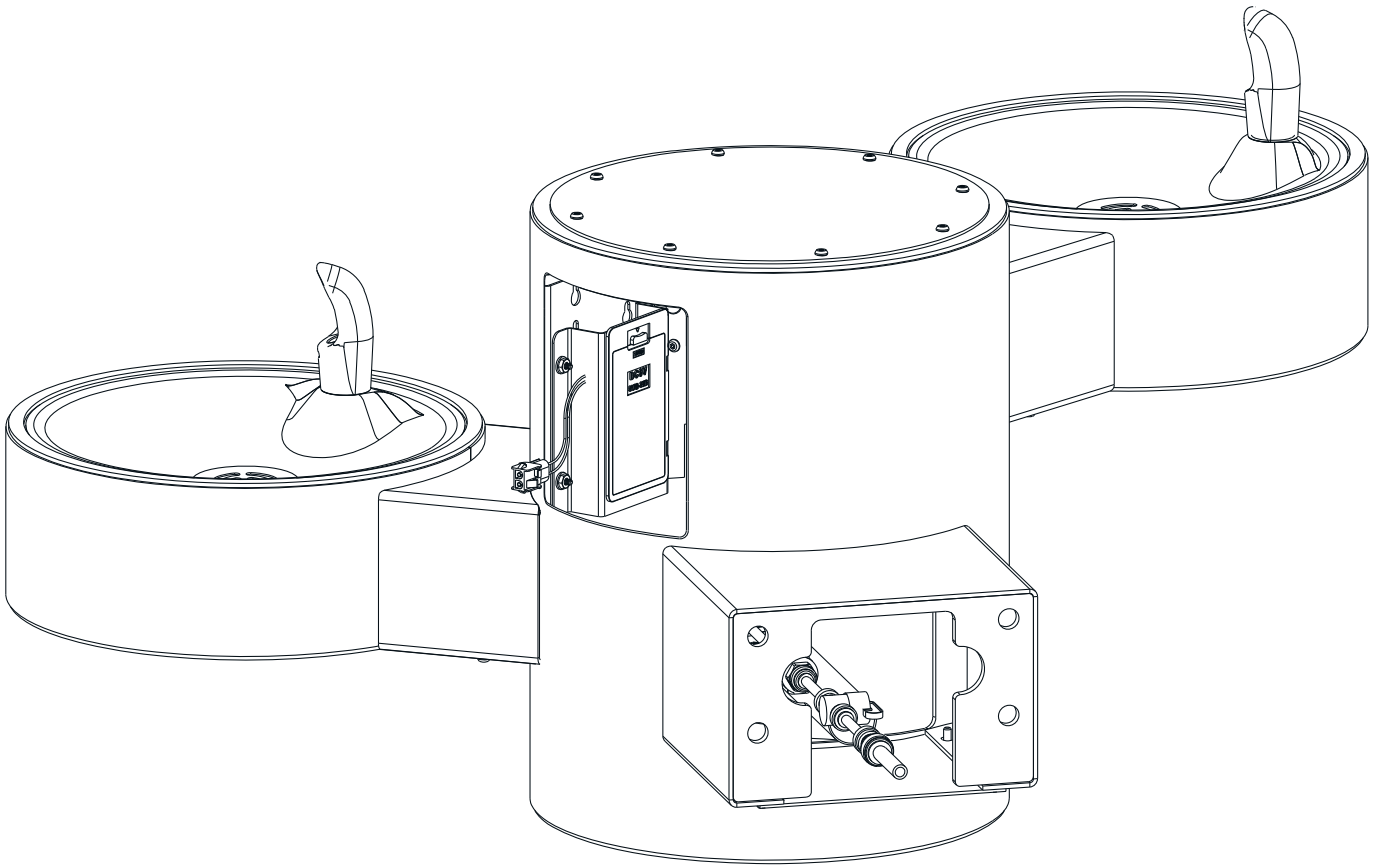
ITEM	PART NUMBER	DESCRIPTION
1	2570-130-001	9VDC SOLENOID VALVE ASSEMBLY
2	2570-028-001	MALE/MALE O-RING CONNECTOR ASSEMBLY
3	2800-108-001	1/4" JACO INLET ADAPTER ASSEMBLY
4	2570-051-001	1/4" OD PLASTIC ELBOW ASSEMBLY
5	0326-100-000	RETAINING CLIP, AIR-CONTROL VALVE
6	2169-000-000	1/4" OD LLDPE TUBING (BLUE)
7	7000-021-000	1/4" NPT "Y" STRAINER
8	1895-123-000	1/4" x 3/8" OD TUBE UNION PUSH-IN CON
9	1895-125-000	1/4" OD x 1/4" NPT PUSH-IN FITTING
10	7000-420-000	1/4" OD PUSH-IN 1/4" TURN SHUT-OFF VALVE
11	0710-357-001	AA 6-PACK BATTERY HOLDER ASSY



## **BATTERY REPLACEMENT**

1. Loosen and remove drinking fountain housing upper access panel and remove battery pack from placed location. Do not disconnect the wires from the battery pack unless necessary.
2. Replace the six alkaline AA batteries while observing polarity.
3. Return the battery pack back to mounted location and test for proper operation. Then re-attach drinking fountain housing upper access panel.

For models with optional  
-SOC Sensor Operation.

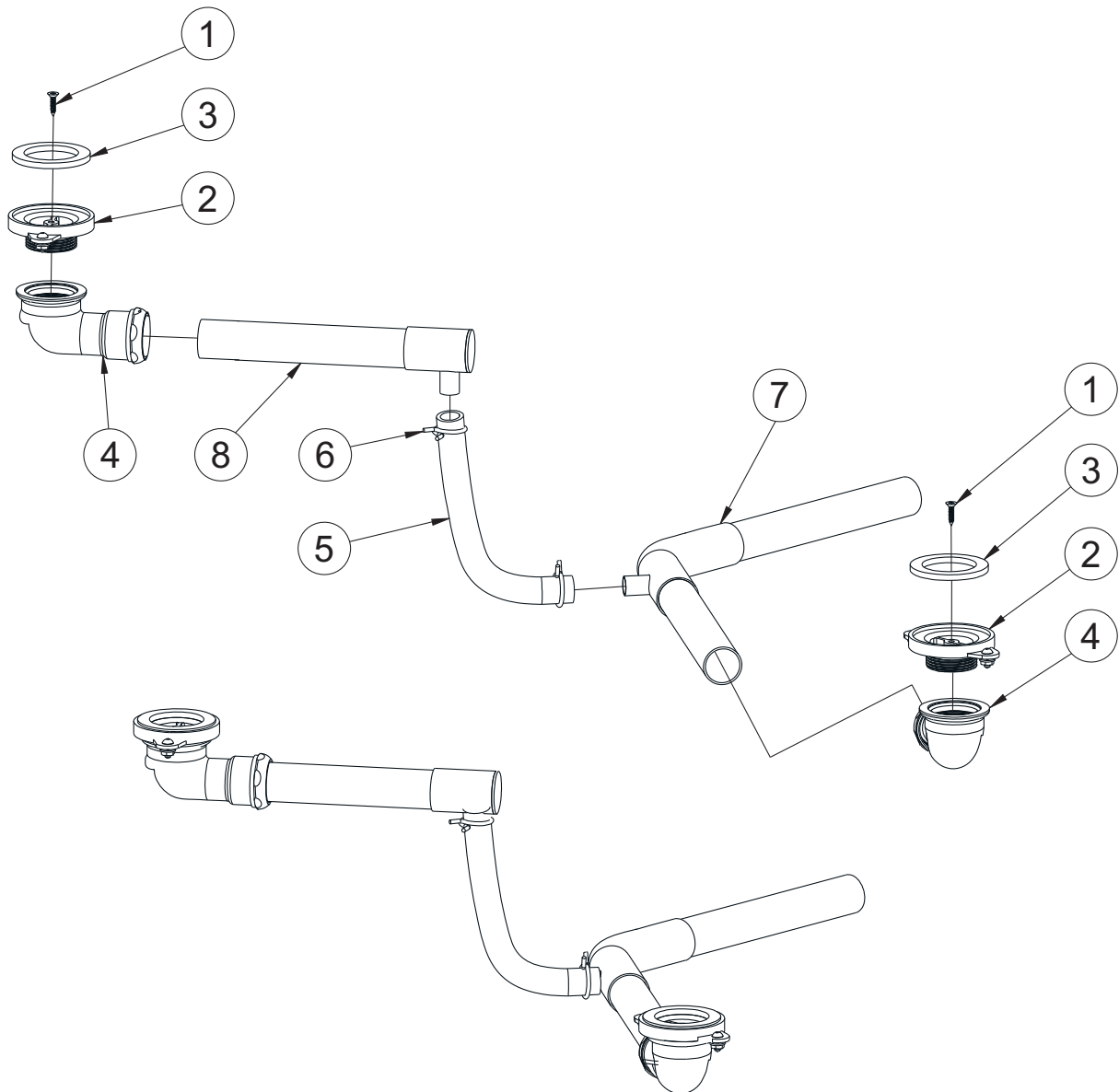


## WASTE ASSEMBLY

**(STANDARD):**

Connections and Assembly,  
Repair Parts

ITEM	PART NUMBER	DESCRIPTION
1	0152-010-000	#10-32 x 1" HEX FLAT HEAD SCREW
2	7000-005-199	DRAIN ADAPTER
3	7000-006-000	DRAIN ADAPTER GASKET
4	7000-017-001	ELBOW, ORING x 1-1/4" COMPRESSION
5	7003-183-000	ANSI/AHAM CERTIFIED FLEX HOSE, 5/8 x 7/8
6	7003-184-000	7/8" SPRING HOSE CLAMP
7	JSMA4008-001	BI-LEVEL WASTE TUBING RH ASSY
8	MURGRE47-001	LH/RH WASTE S/S TUBING ASSY, GYE20



**WASTE ASSEMBLY WITH  
OPTIONAL P-TRAP:**

**Connections and Assembly,  
Repair Parts**

ITEM	PART NUMBER	DESCRIPTION
1	0152-010-000	#10-32 x 1" HEX FLAT HEAD SCREW
2	7000-005-199	DRAIN ADAPTER
3	7000-006-000	DRAIN ADAPTER GASKET
4	7000-017-001	ELBOW, ORING x 1-1/4" COMPRESSION
5	7003-183-000	ANSI/AHAM CERTIFIED FLEX HOSE, 5/8 x 7/8
6	7003-184-000	7/8" SPRING HOSE CLAMP
7	MURGRE47-001	LH/RH WASTE S/S TUBING ASSY, GYE20
8	MURGRE54-001	RH WASTE TUBING ASSY, GRE20-PT

