

# Stainless Steel Outdoor Pedestal Bottle Filler

## STANDARD FEATURES

- All Stainless Steel Construction
- Battery Pack 6AA
- 100 Mesh Inlet Strainer
- Laminar Flow Water Supply
- Hands Free Sensor Operation
- Lead and Cyst Filter
- Meets ADA Forward and Side Reach Requirements

## SUGGESTED SPECIFICATIONS

Model M-OBF4 Bottle filler shall be activated by a 9 volt sensor or the push-button as standard. Unit shall contain a 100 mesh inlet strainer, lead and cyst filter, 6-AA battery pack and laminar flow spout. Construction shall be heavy gage, all stainless steel and pedestal base of bottle filler shall have four mounting holes. Access covers shall be secured with vandal-resistant stainless steel screws. A self-closing push-button, needing less than 5 pounds force, shall activate an internally mounted valve. Unit is certified to meet NSF/ANSI 61, Section 9, Public Law 111-380 (No-Lead) and CHSC 116875.

### Option Notes:

<sup>1</sup> See separate option sheet

<sup>2</sup> This option is not available freeze-resistant



Model M-OBF4-PF Shown

## MODEL:

(Must Specify)

### PUSHBUTTON AND SENSOR OPERATION

- Satin Stainless Finish
- Green Powder-Coated
- Red Powder-Coated
- Blue Powder-Coated

### PUSHBUTTON OPERATION ONLY

- Satin Stainless Finish
- Green Powder-Coated
- Red Powder-Coated
- Blue Powder-Coated *Custom color*

*finishes available upon request*

## OPTIONAL ACCESSORIES

(additional costs may be incurred)

- FRU1 Underground freeze-resistant single valve (push-button operation only, less filter)
- FRU2 Underground freeze-resistant double valves (push-button operation only, less filter)<sup>1</sup>
- HB1 Hose bibb with vacuum breaker<sup>1 2</sup>
- HB3 Vandal resistant Hose bibb with vacuum breaker<sup>1 2</sup>
- IAP In-ground anchor plate<sup>1</sup>
- LOGO Customer specified logo<sup>1</sup>
- PF Pet fountain with push-button valve<sup>1</sup>

Complies with the following standards:



Member of  
U.S. Green  
Building  
Council



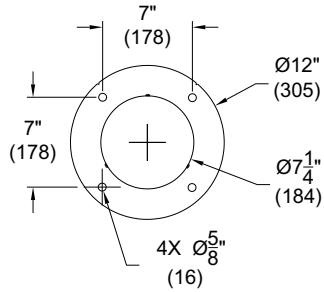
Recyclable  
Product



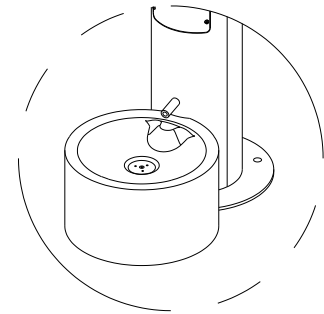
Water  
Conserving  
Product

**WARNING:** Cancer and Reproductive Harm - [www.P65Warnings.ca.gov](http://www.P65Warnings.ca.gov)

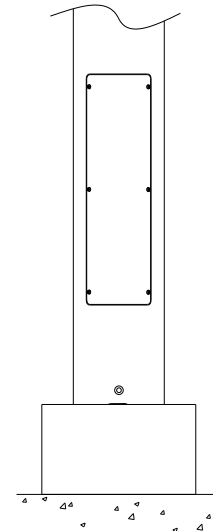
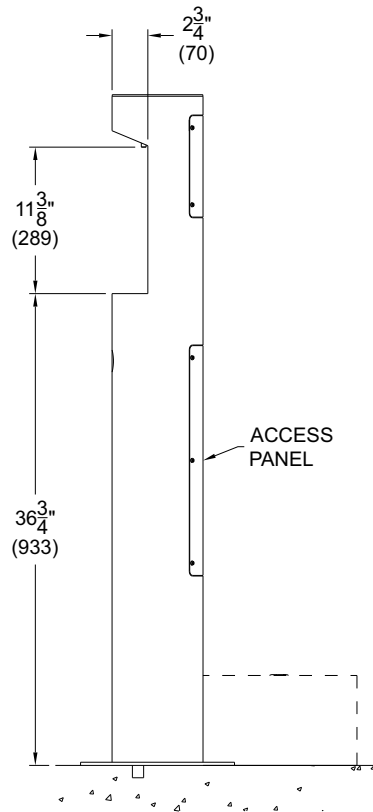
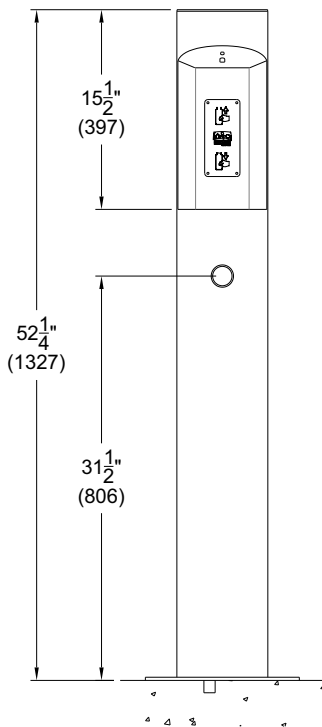
IMPORTANT: INSTALLATION AND SITE PREP FOR FREEZE RESISTANT OPTIONS "-FRU" WILL DIFFER FROM STANDARD. REFER TO DESIGNATED FREEZE RESISTANT INSTALLATION DETAILS.



## OUTDOOR BOTTLE FILLER



OPTIONAL -PF PET FOUNTAIN  
DETAIL



OPTIONAL -PF PET FOUNTAIN

### GENERAL DIMENSIONS:

1. ALL DIMENSIONS ARE IN INCHES (MM)
2. STOP VALVE NOT PROVIDED