

# Retro Series

SQUARE SINGLE HEIGHT  
WITH FOOT PEDAL

## STANDARD FEATURES

Model M-34 is a drinking fountain of classic design. The control valve is below the frost line to provide anti-freezing functionality. Activating the foot pedal raises the or lowers the internal supply line and waste tube assembly controlling the valve. Constructed with all brass parts and a stainless steel main spring. The M-34 is equipped with an automatic stream control for year round use. The M-34 is designed for trouble-free reliability and easy maintenance.

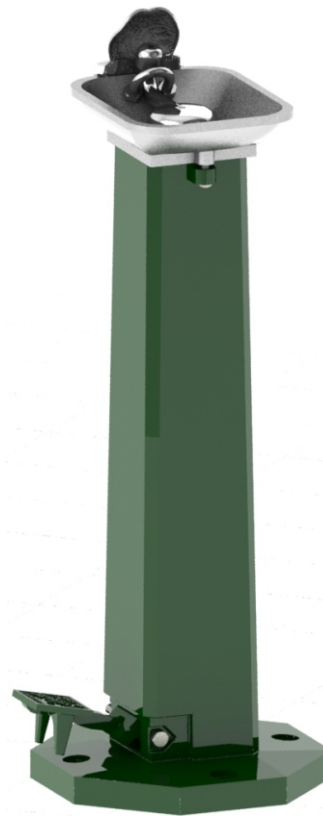
## SUGGESTED SPECIFICATIONS

Drinking fountain shall be Murdock model M-34. Unit shall be capable of year-round use in freezing or inclement weather.

Pedestal shall be fabricated of heavy duty iron casting extending from grade line to bowl. Pedestal shall be square from an octagonal base with four mounting holes and finished with a heavy grade oil-based enamel paint.

Bowl shall be a rectangular, chrome-plated, solid brass casting with outer edge at least 9-1/2" from center of bubbler outlet. Drain opening in the bowl shall be fabricated of chrome-plated, solid brass casting and shall be adequately protected from stoppage and vandalism. Bubbler shall be chrome-plated, solid brass casting with outlet near edge of bowl above the rim. Mouthguard shall be chrome-plated, solid brass casting mounted on the outer edge of bowl to meet sanitary requirements. All solid brass castings shall conform to ASTM standards B61 and B62. Lead-free castings shall be used in all waterways. Valve and bubbler conform with lead-free requirements of Public Law 111-380 (NO-LEAD), CHSC 116875 and NSF/ANSI 61, Section 9.

Valve shall be foot pedal operated spring loaded to close. Pedal shall consist of aluminum bronze. The mainspring shall be stainless steel wire with a 1/4" minimum diameter.



### DEPTH OF BURY *(additional costs may be incurred)*

- |   |   |
|---|---|
| <input type="checkbox"/> 2 ft. (61 cm)    | <input type="checkbox"/> 5 ft. (152.4 cm) |
| <input type="checkbox"/> 3 ft. (91.4 cm)  | <input type="checkbox"/> 6 ft. (182.9 cm) |
| <input type="checkbox"/> 4 ft. (121.9 cm) | <input type="checkbox"/> Other _____      |

### OPTIONS *(additional costs may be incurred)*

- |   |   |
|---|---|
| <input type="checkbox"/>                | Chrome plated bowl and mouth guard (Standard) |
| <input type="checkbox"/>                | Polished brass bowl and mouth guard           |
| <input type="checkbox"/>                | Powder-coated brass bowl and mouth guard      |
| <input type="checkbox"/> - <b>Brown</b> | Pedestal color brown (standard)               |
| <input type="checkbox"/> - <b>Black</b> | Pedestal color black                          |
| <input type="checkbox"/> - <b>Green</b> | Pedestal color green                          |

*Custom color finishes available upon request.*

Complies with the following standards:



Federal Public Law 111-380 (No Lead)



Member of U.S. Green Building Council



Recyclable Product

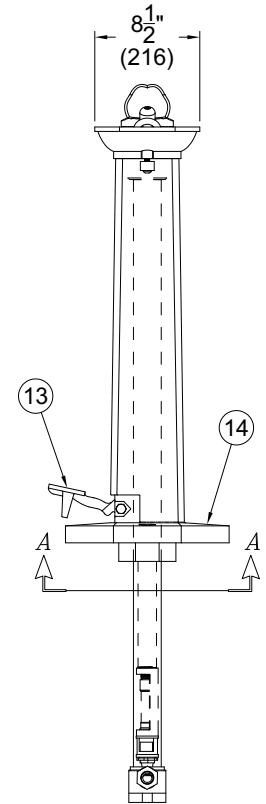
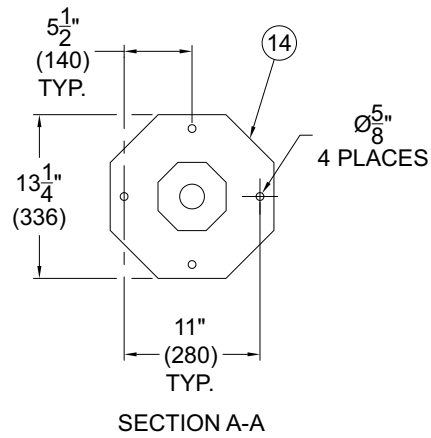
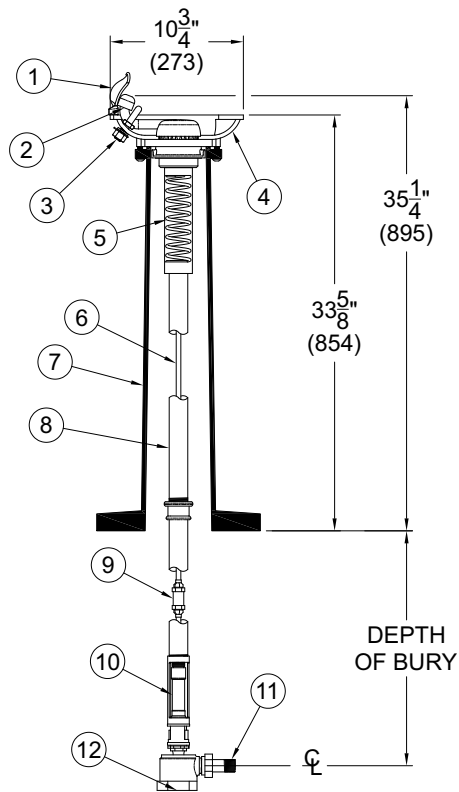


Water Conserving Product

**WARNING:** Cancer and Reproductive Harm - [www.P65Warnings.ca.gov](http://www.P65Warnings.ca.gov)

# Retro Series

SQUARE SINGLE HEIGHT  
WITH FOOT PEDAL



- |                       |                        |                                   |
|-----------------------|------------------------|-----------------------------------|
| ① MOUTH GUARD         | ⑥ WATER SUPPLY LINE    | ⑪ 3/4" IPS MALE SUPPLY CONNECTION |
| ② GOOSENECK & BUBBLER | ⑦ PEDALSTAL            | ⑫ 2" IPS FEMALE DRAIN CONNECTION  |
| ③ U-BOLT              | ⑧ WASTE TUBE           | ⑬ FOOT PEDAL                      |
| ④ BOWL                | ⑨ .75 GPM FLOW CONTROL | ⑭ PEDALSTAL BASE                  |
| ⑤ MAINSPRING          | ⑩ VALVE                |                                   |