

Select Series

DRINKING FOUNTAIN WITH BOWL ON PEDESTAL

STANDARD FEATURES

Model M-23C drinking fountain features design simplicity. This single fountain unit includes a pedestal mounted bowl and bubbler operated by pushbutton control. Standard model is seasonal, not freeze resistant. Heavy-duty construction ensures durability. Field-serviceable components are easily accessible. Solid brass castings for bowl and mouth guard are *Penny Vein* powder-coated and base is finished in *Chestnut Brown*.

SUGGESTED SPECIFICATIONS

Drinking fountain shall be Murdock model M-23C. Unit shall be furnished with one fountain bowl mounted on the pedestal.

Pedestal shall be heavy duty iron casting and base of pedestal shall have four mounting holes. Pedestal shall be finished with a heavy grade of oil-based brown enamel.

Bowl shall be a rectangular, powder-coated, solid brass casting. Drain opening in bowl shall be adequately protected from stoppage or vandalism by a chrome-plated solid brass casting. Pet Fountain options provide a cast aluminum bowl with matte finish.

Valve shall be self-closing, pushbutton operated, incorporating a replaceable cartridge and require less than 5 pounds of force to operate. Valve includes an adjustable stream regulator controlling the water flow.

Bubbler shall be a chrome plated solid brass casting with angle stream outlet near outer edge of bowl and above bowl rim. Mouth guard shall be a powder-coated solid brass casting to meet sanitary requirements.

All solid brass castings shall conform to ASTM standards B61 and B62. Unit is certified to Public Law 111-380 (NO-LEAD), CHSC 116875 and NSF/ANSI 61, Section 9.



(Shown with optional chrome plated bowl & mouth guard)

Standard Model: M-23C

OPTIONS

(additional costs may be incurred)

- CH30 Added arm and bowl with bubbler at 30" child height ¹
- FRU1 Underground freeze-resistant valve for one bowl ¹
- FRU2 Underground freeze-resistant valve for two bowls
- HB1 Hose bibb with vacuum breaker ^{1 2}
- JF1 Jug filler with self-closing spigot valve ^{1 2}
- JF2 Jug filler with pushbutton valve ¹
- PF Pet fountain with pushbutton valve ¹
- PFS Pet fountain with self-closing spigot valve ^{1 2}
- Chrome plated cast brass drinking fountain bowl
- **Black** Pedestal color black
- **Green** Pedestal color green

Custom color finishes available upon request.

Options Notes:

¹ See separate option sheet.

² This option is not available freeze-resistant.



Member of
U.S. Green
Building
Council



Recyclable
Product



Water
Conserving
Product

Complies
with the
following
standards:



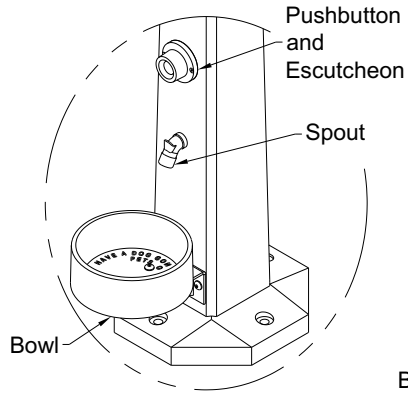
Federal
Public Law
111-380
(No Lead)



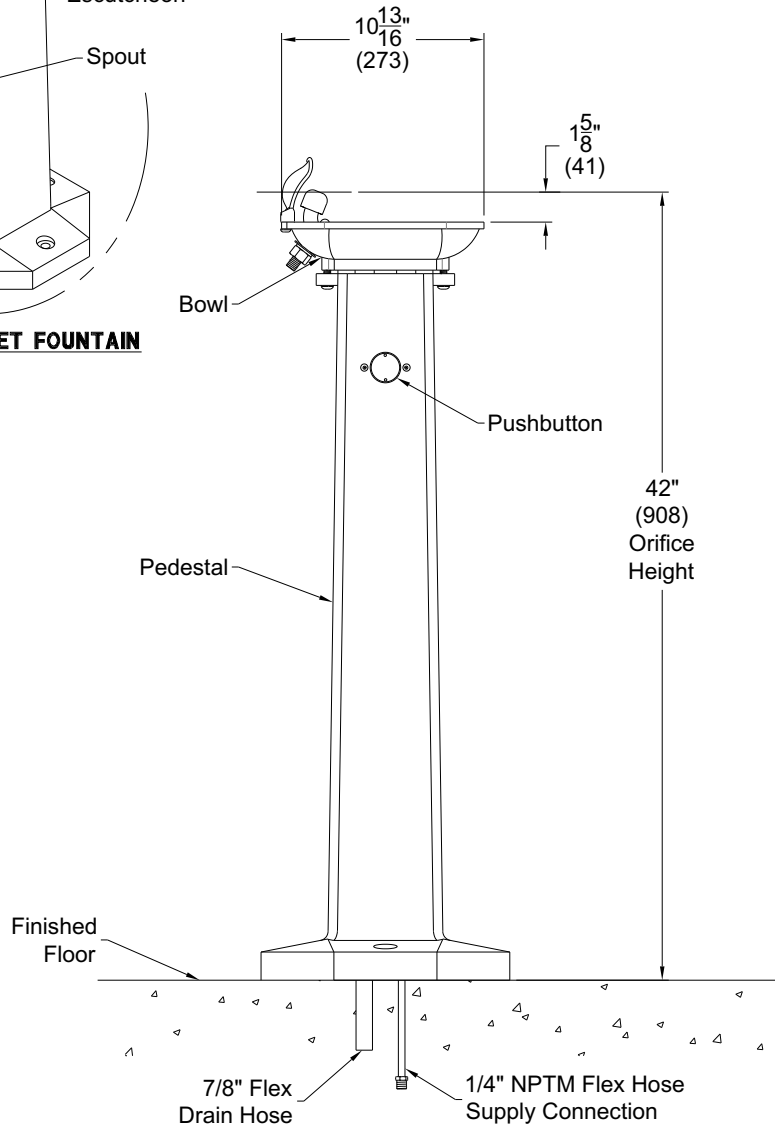
WARNING: Cancer and Reproductive Harm - www.P65Warnings.ca.gov

Select Series

DRINKING FOUNTAIN WITH BOWL ON PEDESTAL



OPTIONAL -PF PET FOUNTAIN



* Valve specifications:
Minimum/Maximum Pressure
30 to 100 psi.