

Retro Series

ROUND SINGLE HEIGHT
WITH FOOT PEDAL

STANDARD FEATURES

Model M-40 features rugged simplicity to provide anti-freezing functionality with the control valve located below the frost line. Activating the pedal raises or lowers the internal supply line and waste tube assembly, controlling the valve. Constructed with all brass and a stainless steel mainspring, the M-40 is equipped with an automatic stream control for year-round use. The M-40 designed for trouble free reliability and easy maintenance. Standard brass castings conform to ASTM standards B61 and B62 for cast metals.

SUGGESTED SPECIFICATIONS

Drinking fountain shall be Murdock model M-40. Unit shall be capable of year-round use in freezing or inclement weather.

Base shall be fabricated of heavy, one-piece iron casting. Bowl shall supported by a black pipe outer casing. Base and outer casing shall be finished with a heavy grade oil-based enamel paint.

Bowl shall be a round, chrome-plated, solid brass casting with outer edge at least 8-1/2" from center of bubbler outlet. Drain opening in the bowl shall be fabricated of chrome-plated, solid brass casting and shall be adequately protected from stoppage and vandalism. Bubbler shall be chrome-plated, solid brass casting with outlet near edge of bowl above the rim. Mouthguard shall be chrome-plated, solid brass casting mounted on the outer edge of bowl to meet sanitary requirements. All solid brass castings shall conform to ASTM standards B61 and B62. Valve and bubbler conform with lead-free requirements of Public Law 111-380 (NO-LEAD), CHSC 116875 and NSF/ANSI 61, Section 9.

Valve shall be foot pedal operated spring loaded to close. Pedal shall consist of aluminum bronze. The mainspring shall be stainless steel wire with a 1/4" minimum diameter.



DEPTH OF BURY (additional costs may be incurred)

- 2 ft. (61 cm)
- 3 ft. (91.4 cm)
- 4 ft. (121.9 cm)
- 5 ft. (152.4 cm)
- 6 ft. (182.9 cm)
- Other _____

OPTIONS (additional costs may be incurred)

- Chrome plated bowl and mouth guard (Standard)
- Polished brass bowl and mouth guard
- Powder-coated brass bowl and mouth guard
- **Brown** Pedestal color brown (standard)
- **Black** Pedestal color black
- **Green** Pedestal color green

Custom color finishes available upon request.

Complies with the following standards:



Member of
U.S. Green
Building
Council



Recyclable
Product

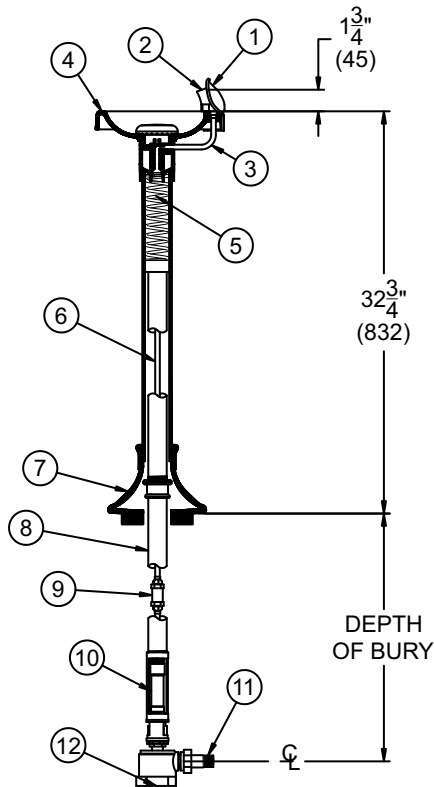


Water
Conserving
Product

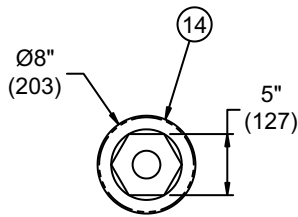
WARNING: Cancer and Reproductive Harm - www.P65Warnings.ca.gov

Retro Series

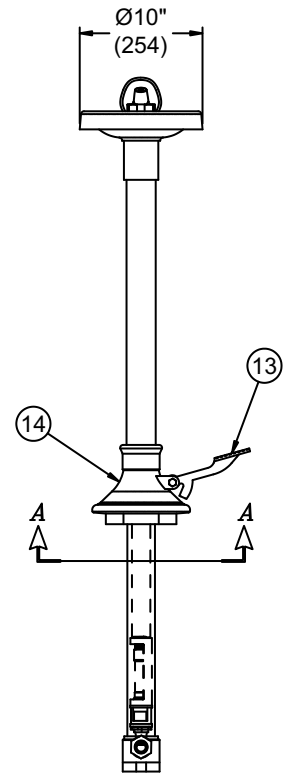
ROUND SINGLE HEIGHT
WITH FOOT PEDAL



* Valve specifications:
Minimum/Maximum Pressure
30 to 100 psi.



SECTION A-A



- ① MOUTH GUARD
- ② BUBBLER
- ③ BUBBLER GOOSENECK
- ④ BOWL
- ⑤ MAINSPRING

- ⑥ WATER SUPPLY LINE
- ⑦ PEDALSTAL
- ⑧ WASTE TUBE
- ⑨ .75 GPM FLOW CONTROL
- ⑩ VALVE

- ⑪ 3/4" IPS MALE SUPPLY CONNECTION
- ⑫ 2" IPS FEMALE DRAIN CONNECTION
- ⑬ FOOT PEDAL
- ⑭ PEDALSTAL BASE