

PET SHOWER WITH PET FOUNTAIN AND LEASH HOOK

STANDARD FEATURES

- Chrome plated Showerhead
- Stainless Steel, filler tube for pet fountain
- Leash hook
- Pushbutton requiring less than 5 pounds for activation
- 100 mesh inlet strainer
- 16 gage, type 304 stainless steel basin
- Heavy duty, type 304 stainless steel construction
- Vandal resistant stainless steel access panel

SUGGESTED SPECIFICATIONS

Pet Shower shall be Murdock model M-PM24. Model shall include a pet shower, pet fountain and leash hook. Pet Shower and fountain pushbutton shall be self-closing requiring less than 5 pounds of force to activate the internally mounted valve.

Pet Showerhead shall be chrome plated brass. Pet fountain filler tube shall be stainless steel. Pet Shower and filler shall operate on a water pressure range of 30-105 psig.

Unit shall be constructed of 12 gage type 304 stainless steel polished to a satin finish with 16 gage pet fountain bowl. Bottom plate shall be 1/4" thick and include four mounting holes with two additional mounting holes for pet fountain. 1/2" expansion anchor bolts shall be furnished. All other exposed fasteners shall be vandal resistant stainless steel screws.



Model M-PM25 Shown

MODEL:

(Must Specify)

Satin stainless finish
Green powder-coated (Shown)
Red powder-coated
Blue powder-coated
Custom color finishes available upon request

OPTIONS

(additional costs may be incurred)

- FRU2 Freeze resistant, 2 Valves ¹
- IAP4 In-ground, Anchor Plate ¹
- IGM4 In-ground, 14" Mounting Adapter ¹

- LOGO Customer Specified logo ¹

Options Notes:

¹ See separate option sheet.

Complies with the following standards:



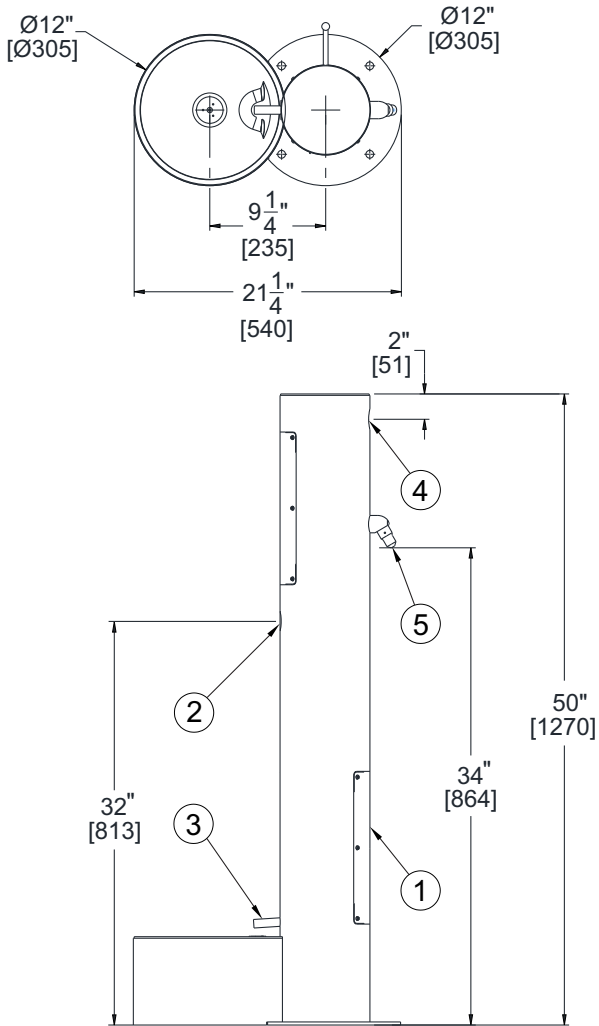
Member of
U.S. Green
Building
Council



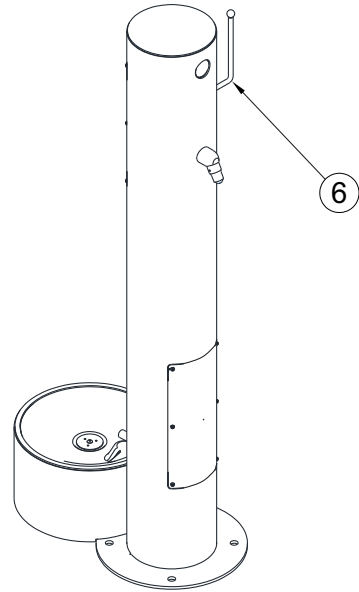
Recyclable
Product

 WARNING: Cancer and Reproductive Harm - www.P65Warnings.ca.gov

* Valve specifications:
Minimum/Maximum Pressure
30 to 100 psi.



PET SHOWER W/ PET FOUNTAIN AND LEASH HOOK



- ① ACCESS PANEL
- ② PET FOUNTAIN PUSHBUTTON
- ③ PET FOUNTAIN FILLER TUBE
- ④ PET SHOWER PUSHBUTTON
- ⑤ SHOWERHEAD
- ⑥ LEASH HOOK