

# Post Hydrant

3/4" FREEZE RESISTANT, SELF-CLOSING  
PEDAL OPERATED POST HYDRANT

## STANDARD FEATURES

Model delivers year-round service outside or in unheated buildings. To provide freeze resistant functionality, the Control Valve is located below the frost line. To operate: step on the Pedal, which raises the internal supply-line assembly to open the Valve. When the Pedal is released, the Self-Closing Spring lowers the internal supply-line assembly to close the Valve. Constructed of heavy lead-free brass, premium-quality iron and aluminum bronze castings, the M-HH1 is designed for trouble-free reliability and easy maintenance.

## SUGGESTED SPECIFICATIONS

Unit shall be capable of year-round use in freezing weather.

Unit shall extend below grade level so that centerline of Supply Inlet is positioned at or below frost line. Inlet shall have 3/4" NPT male connection.

Water shall be gravity-evacuated from Inner Supply Column when Valve is shut off.

Valve shall be pedal operated. Pedal shall be fabricated of one-piece aluminum bronze casting finished with a heavy grade of black enamel paint. Pedestal shall be fabricated of heavy, one-piece iron casting finished with a heavy grade black enamel paint. Horse Head shall be one-piece iron casting finished with a heavy grade white enamel paint.

Inner Supply Assembly shall incorporate solid brass castings. All solid brass castings shall conform to ASTM standards B61 and B62. Lead-free castings are used in all waterways.

Outer Casing shall be black iron pipe, finished with a heavy grade of black enamel paint.

Hydrant shall consist of internal supply line and a surrounding Outer Casing Pipe for protection of waterway.



Standard Model: M-HH1

### DEPTH OF BURY *(additional costs may be incurred)*

- |   |   |
|---|---|
| <input type="checkbox"/> 2 ft. (61 cm)    | <input type="checkbox"/> 5 ft. (152.4 cm) |
| <input type="checkbox"/> 3 ft. (91.4 cm)  | <input type="checkbox"/> 6 ft. (182.9 cm) |
| <input type="checkbox"/> 4 ft. (121.9 cm) | <input type="checkbox"/> Other _____      |

### OPTIONS *(additional costs may be incurred)*

- |                               |   |
|-------------------------------|---|
| <input type="checkbox"/> -BFH | Double Ball Check Valve and Vacuum Breaker* |
| <input type="checkbox"/> -VB  | Vacuum Breaker                              |
| <input type="checkbox"/> -R01 | Shut-Off Valve with Plate*                  |
| <input type="checkbox"/>      | Sewer Drain Connection                      |

\* See separate option sheets



Member of  
U.S. Green  
Building  
Council

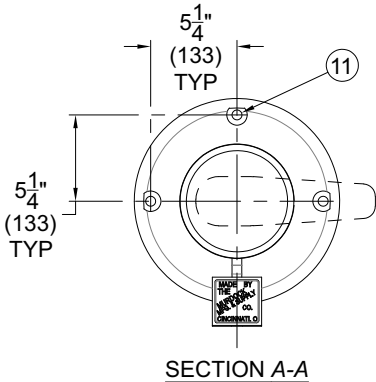


Recyclable  
Product

**WARNING:** Cancer and Reproductive Harm - [www.P65Warnings.ca.gov](http://www.P65Warnings.ca.gov)

# Post Hydrant

3/4" FREEZE RESISTANT, SELF-CLOSING  
PEDAL OPERATED POST HYDRANT



- ① HORSE HEAD TOP
- ② SPRING
- ③ CONCEALED COPPER PIPE, PLAIN END DISCHARGE
- ④ INNER SUPPLY PIPE
- ⑤ PEDAL
- ⑥ PEDESTAL STOCK
- ⑦ OUTER CASING
- ⑧ VALVE
- ⑨ 3/4" MALE NPT BRASS SUPPLY CONNECTION
- ⑩ INNER CASING
- ⑪ Ø5/8" MOUNTING POINTS FOR INSTALLER PROVIDED ANCHORING HARDWARE (4 PLACES)

PEDAL SHOWN 90°  
OUT OF POSITION  
FOR CLARITY

