

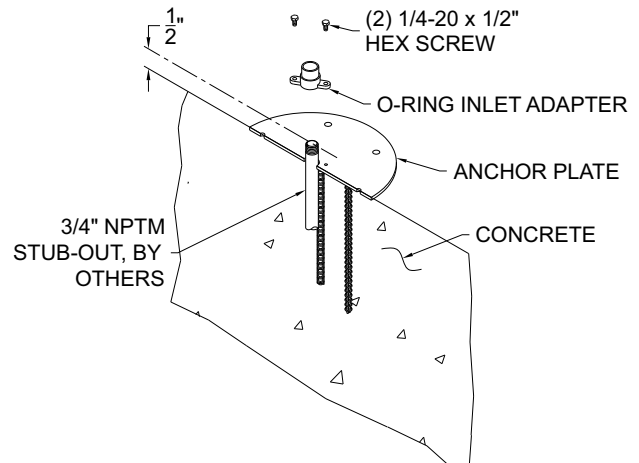
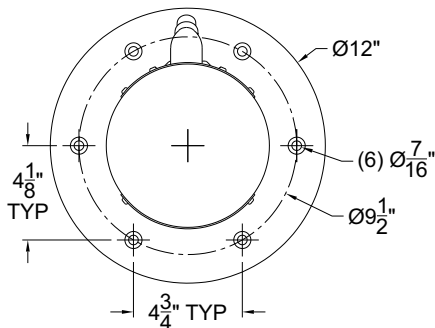
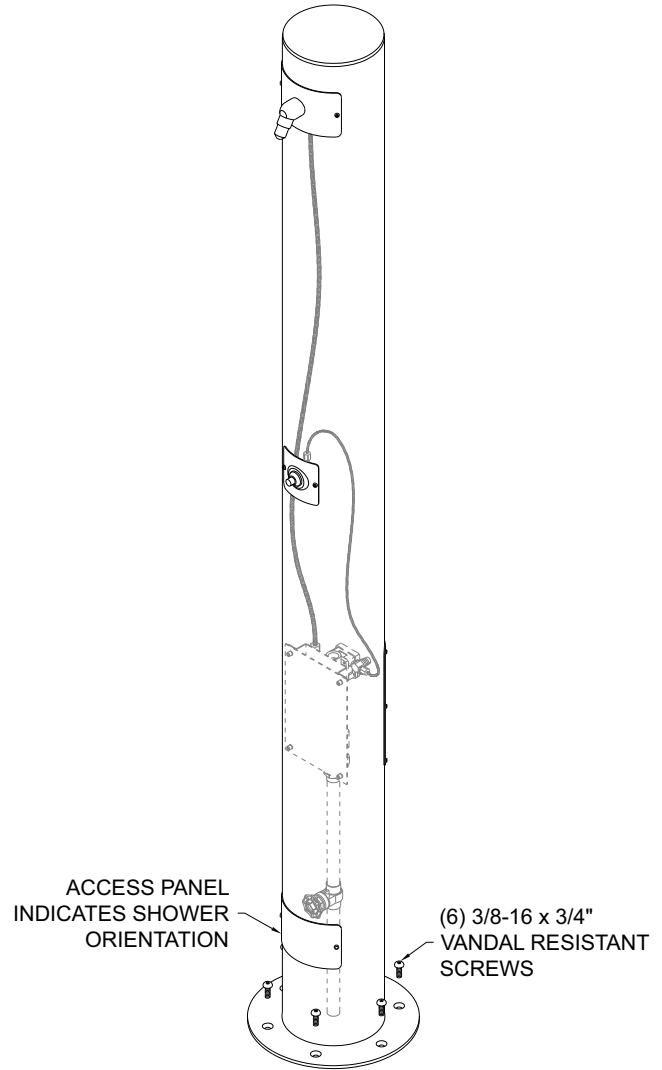
INSTALLATION INSTRUCTIONS FOR OUTDOOR SHOWER

Prior to installation:

- ❖ Read all instructions and refer to local codes.
- ❖ Supply line must be flushed of all foreign materials such as pipe dope, chips, etc.
- ❖ Shower piping and valve must be drained prior to being subjected to freezing temperatures.
- ❖ Maximum recommended working water pressure is 100 psi.

INSTALLATION INSTRUCTIONS:

- 1.) Refer to roughs for desired location of the shower head.
- 2.) Install vandal resistant fasteners into anchor plate prior to pouring concrete to keep threads on anchor plate clean of concrete.
- 3.) Tap anchor plate into ground and check that anchor plate is level and even with the floor.
- 4.) Install supply line with 1/2" stub out above anchor plate.
- 5.) Assemble O-Ring adapter to supply stub out, aligning mounting hold on O-Ring adapter to holes on anchor plate and secure with provided hex screws, make adjustments if needed.
- 6.) Pour concrete until it is level with top of anchor plate.
- 7.) Remove vandal resistant fasteners from anchor plate and position fixture over anchor base while engaging O-Ring connection and aligning mounting points.
- 8.) Secure fixture with vandal resistant fasteners.
- 9.) Turn on water supply and test for leaks.



INSTALLATION INSTRUCTIONS FOR

Prior to installation:

- ❖ Read all instructions including FRU Freeze Resistant Valve System, #9938-340-0M1 manual and refer to local codes.
- ❖ Supply line must be flushed of all foreign materials such as pipe dope, chips, etc.
- ❖ Maximum recommended working water pressure is 100 psi.

INSTALLATION INSTRUCTIONS:

- 1.) Refer to roughs for desired location of the shower head and FRU assemblies.
- 2.) Install vandal resistant fasteners into -IAP In-ground Anchor Plate prior to pouring concrete to keep threads on anchor plate clean of concrete.
- 3.) Tap anchor plate into ground and check that anchor plate is level and even with the floor prior to pouring.
- 4.) Refer to FRU manual for FRU installation.
- 6.) Pour concrete until it is level with top of anchor plate.
- 7.) Remove vandal resistant fasteners from anchor plate and position fixture over anchor base.
- 8.) Secure fixture with vandal resistant fasteners.
- 9.) Flush supply lines before making up connections to valve. Turn on water supply and test for leaks.

