

Lever-Operated Valve Wall Mounted Drinking Fountain

STANDARD FEATURES

- 18 gage, 304 stainless steel bowl
- Polished stainless steel, anti-rotation, non-squirt pushbutton bubbler with valve and lever handle
- P-Trap
- Vandal resistant screws
- Wall bracket

SUGGESTED SPECIFICATIONS

Model is a wall mounted, vandal resistant drinking fountain made from 18 gage, 304 stainless steel with a brushed finish. Unit shall be activated by a self-closing lever operated valve. Bubbler shall be polished stainless steel with a non-squirt feature and operate on a water pressure range of 20-105 psig. Unit shall be activated by a self-closing, lever operated valve. Unit shall have a 1-1/4" P-trap and a wall bracket. Unit shall adhere to NSF/ANSI 61, Section 9, Public Law 111-380 (No-Lead) and CHSC 116875.



MODEL:

(Must Specify)

Lead-Free Stainless Steel
Pushbutton Bubbler Fountain with
P-Trap, 1-1/4" O.D.

Complies
with the
following
standards:



Member of
U.S. Green
Building
Council



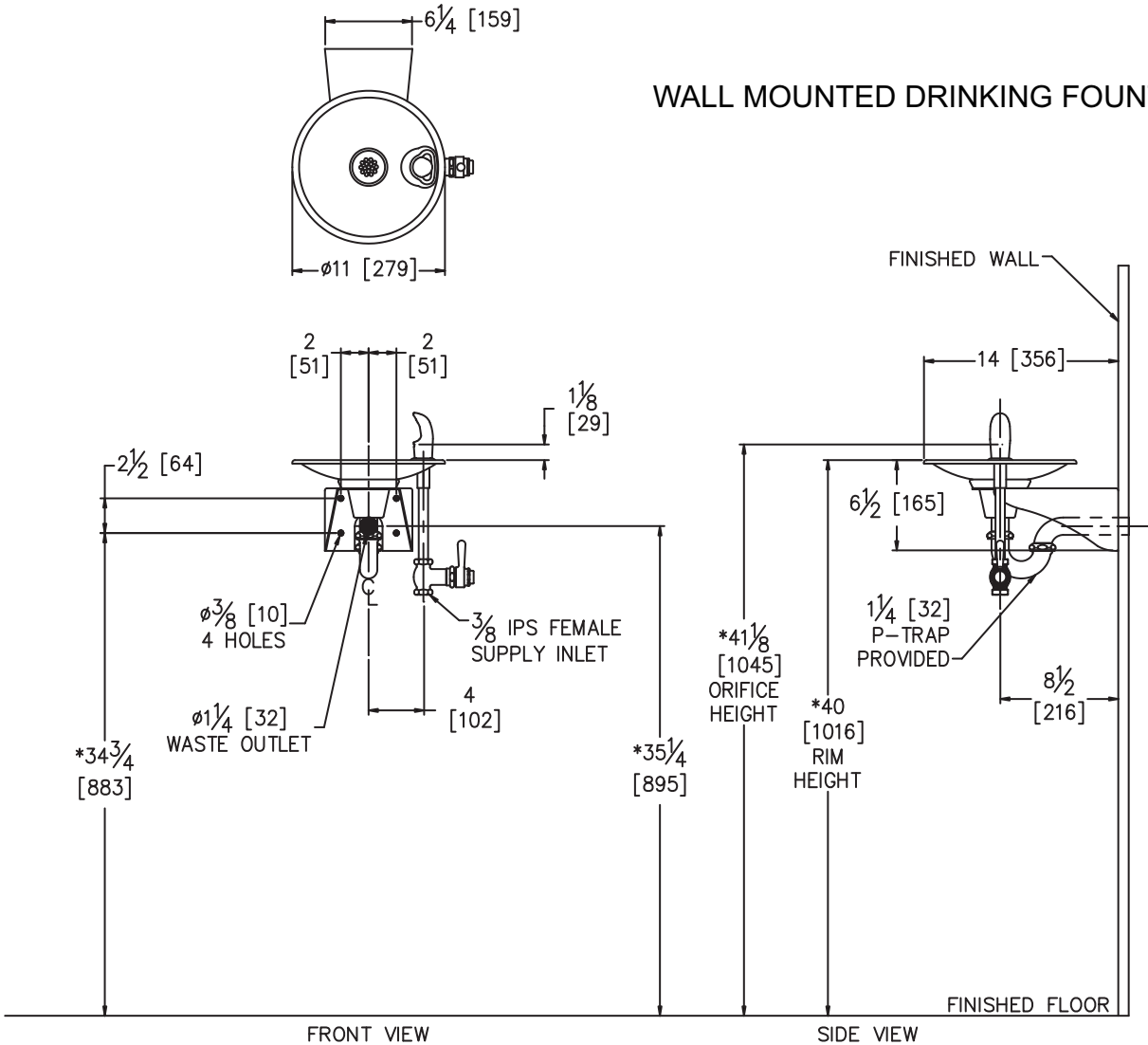
Recyclable
Product



Water
Conserving
Product

⚠ WARNING: Cancer and Reproductive Harm - www.P65Warnings.ca.gov

WALL MOUNTED DRINKING FOUNTAIN



GENERAL NOTES:

1. ALL DIMENSIONS ARE IN INCHES [MM].
- *2. DIMENSIONS SHOWN ARE FOR RECOMMENDED ADULT HEIGHT. ADJUST VERTICAL DIMENSIONS AS NECESSARY TO COMPLY WITH FEDERAL, STATE, & LOCAL CODES.
3. STOP VALVE AND UNION NOT PROVIDED.