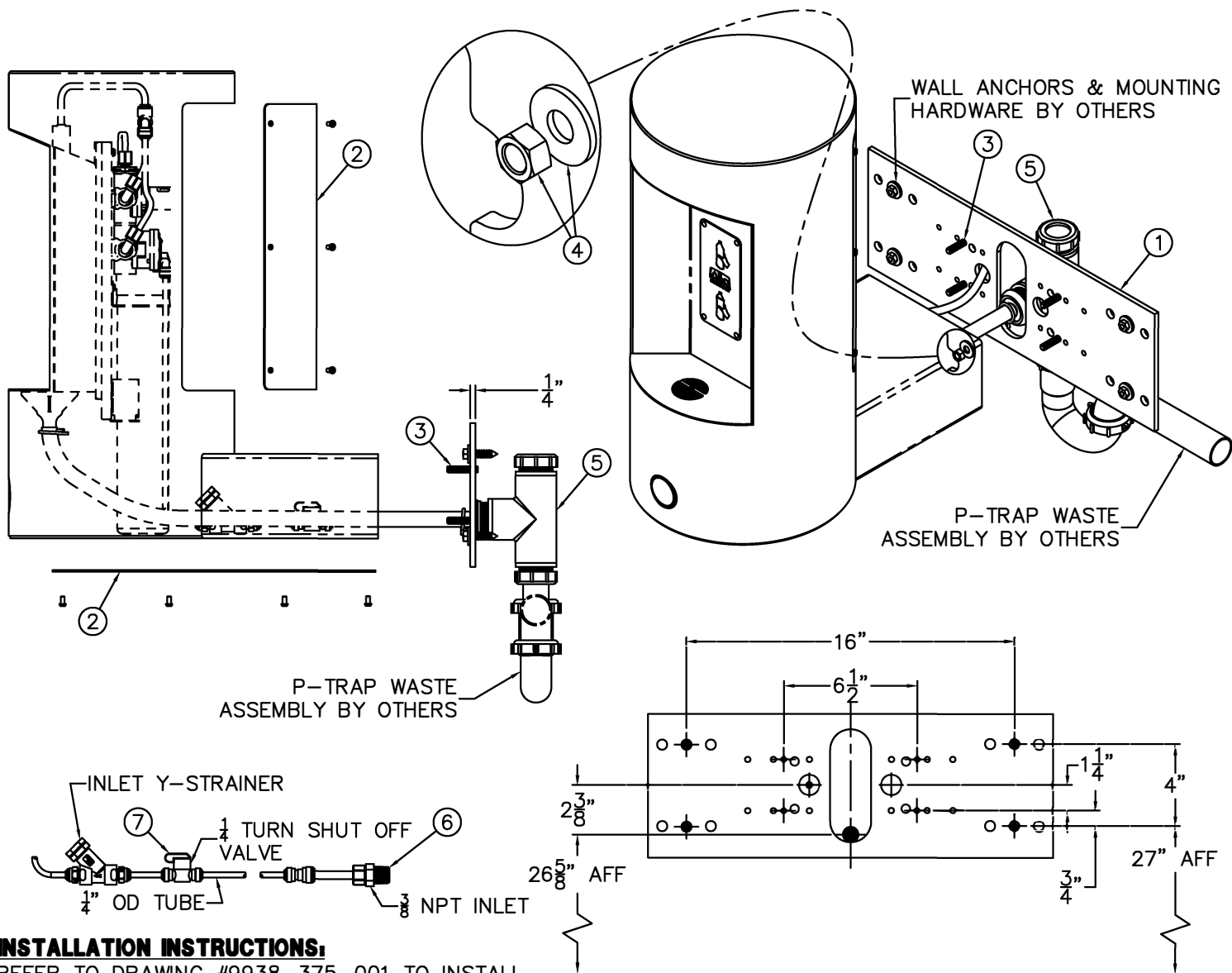


INSTALLATION INSTRUCTIONS



INSTALLATION INSTRUCTIONS:

REFER TO DRAWING #9938-375-001 TO INSTALL MOUNTING PLATE CORRECTLY.

- A-ROUGH-IN WASTE AND SUPPLY LINES DURING -MP1 (1) INSTALLATION OR PRIOR TO MOUNTING FIXTURE.
- B-CAREFULLY REMOVE FIXTURE FROM PACKING MATERIAL AND COVER TO PREVENT SCRATCHING OR DAMAGE.
- C-REMOVE ACCESS COVERS (2) FROM HOUSING AND INSPECT FIXTURE TO ENSURE ALL TUBING CONNECTIONS, VALVES AND PUSHBUTTONS HAVE NOT BECOME LOOSE DURING SHIPPING. CORRECT IF NECESSARY.
- D-ALIGN FIXTURE MOUNTING POINTS WITH STUDS (3) AND SLIDE FIXTURE TO FINISHED WALL. FIX WITH NUTS AND WASHERS PROVIDED (4).

E-MAKE UP CONNECTIONS TO 1-1/4" OD WASTE TEE (5) PROVIDED FOR P-TRAP ASSEMBLY BY OTHERS.

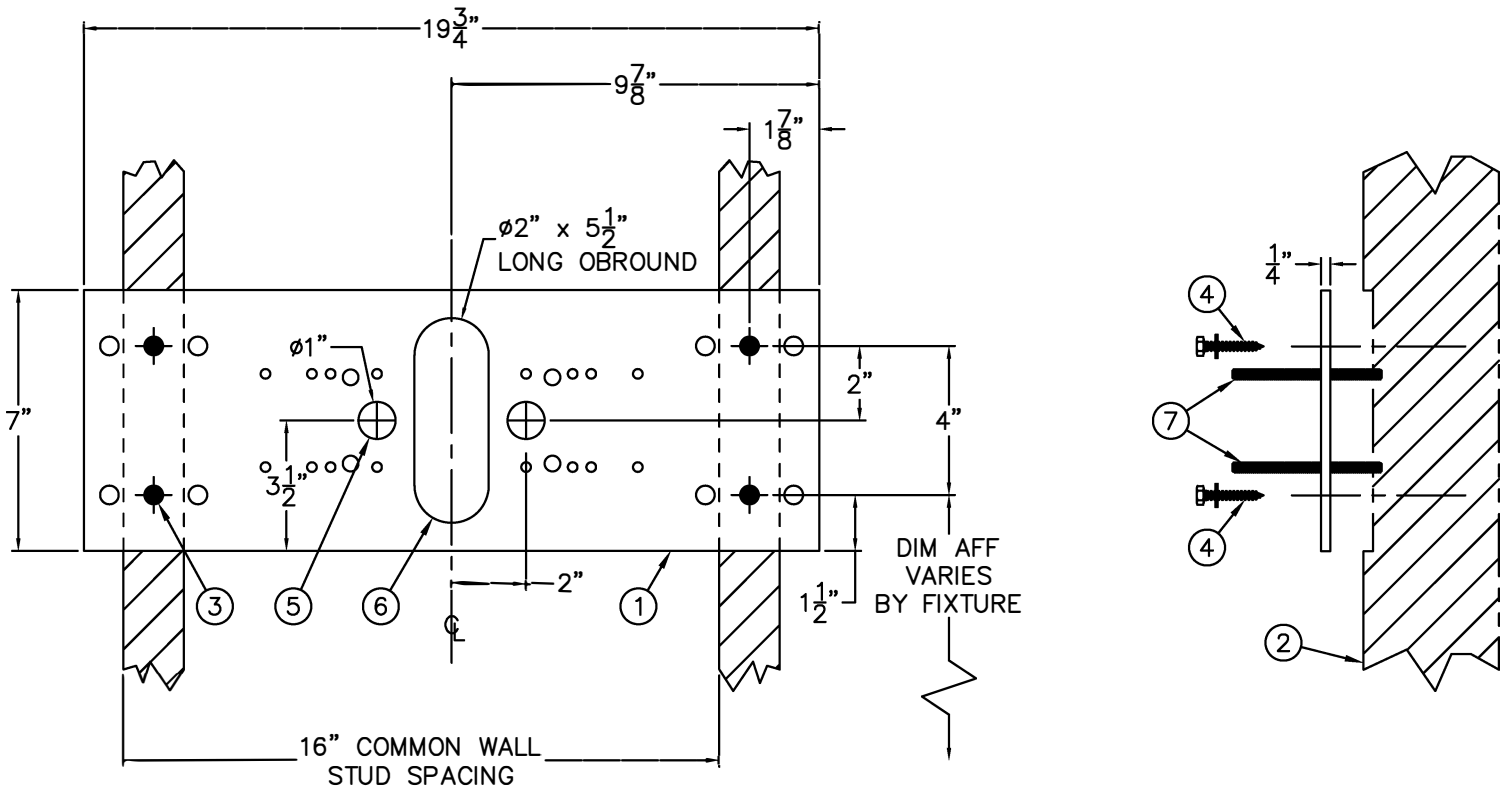
F-FLUSH SUPPLY LINES THOROUGHLY BEFORE CONNECTING TO 3/8" NPT SUPPLY INLET (6).

G-TEST OPERATION BY DEPRESSING BUTTON AND ADJUST FLOW RATE BY ADJUSTING 1/4 TURN SHUT OFF VALVE (7) AS REQUIRED. CHECK ALL PIPING FOR LEAKS. CORRECT IF PRESENT.

H-ASSEMBLY ACCESS PANELS (2) TO COMPLETE THE INSTALLATION.

TITLE M-OBA4 WALL MOUNTED BOTTLE FILLER		
MANUFACTURE DATE JUNE 2017 TO PRESENT	DATE ISSUED JULY 28, 2017	DRAWING NUMBER 9938-008-001
	DATE REVISED	

ROUGH-IN FOR 3/8" OD PUSH-IN SUPPLY INLET, STRAIGHT STOP RECOMMENDED. *1/4" NCT x 2" LONG TUBE STUB OUT PROVIDED.
 ROUGH-IN FOR 1-1/4" OD P-TRAP WASTE OUTLET.



INSTALLATION INSTRUCTIONS:

A-PLATE ① INTENDED TO BE RECESSED FLUSH WITH SUPPORT FRAMING ② PROVIDED BY INSTALLER. FRAME & BLOCK OUT SUPPORT USING DIMENSIONS SHOWN. FRAME SHOULD SUPPORT 300 LBS MINIMUM.

B-MOUNTING PLATE ① IS 1/4" THICK AND INCLUDES 12, 1/2" DIAMETER PUNCHING FOR ANCHORING HARDWARE BY OTHERS.

C-STRIKE A HORIZONTAL CHALK LINE TO LOCATE BOTTOM MOUNTING HOLES ③. REFERENCE DISCHARGE HEIGHT REQUIREMENTS FOR YOUR MODEL AND FACILITY TO DETERMINE CORRECT HEIGHT AT FINISHED FLOOR (AFF).

D-AFTER POSITIONING PLATE CORRECTLY, FIX PLATE TO WALL USING APPROPRIATE, INSTALLER PROVIDED ANCHORING HARDWARE ④.

E-MAKE UP APPROPRIATE SUPPLY ⑤ AND WASTE ⑥ ROUGHS THROUGH MOUNTING PLATE OPENINGS. A STRAIGHT SUPPLY STOP IS RECOMMENDED.

F-REFER TO FIXTURE INSTALLATION SHEETS TO LOCATE 5/16" THREADED STUDS MOUNTING HARDWARE AND THREAD STUDS ⑦ THRU PLATE SO THAT A MINIMUM OF 1-1/4" OF THREAD PROJECTS BEYOND THE FINISHED WALL MATERIAL.

G-PROTECT THREADED STUDS ⑦, SUPPLY ⑤ AND WASTE ⑥ ROUGHS WHILE FINISHING WALL.

**JANUARY 2006
TO PRESENT**

DATE ISSUED
09/28/05
DATE REVISED
03/02/16

9938-375-001