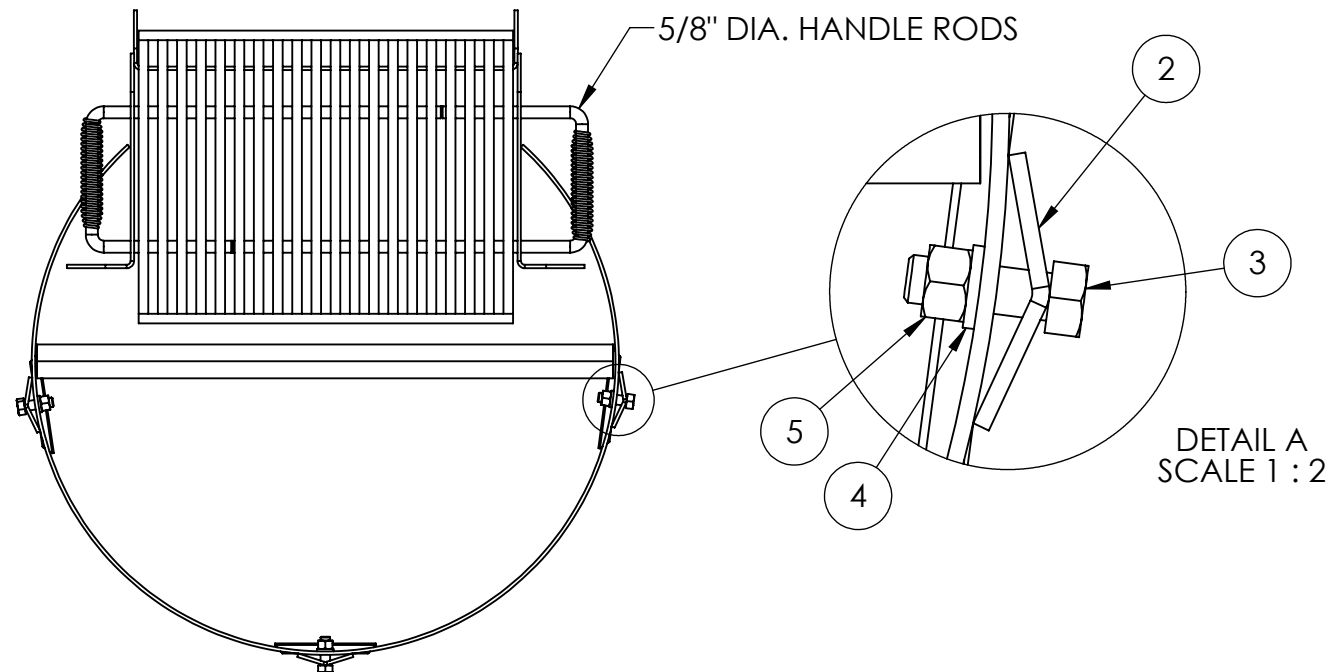
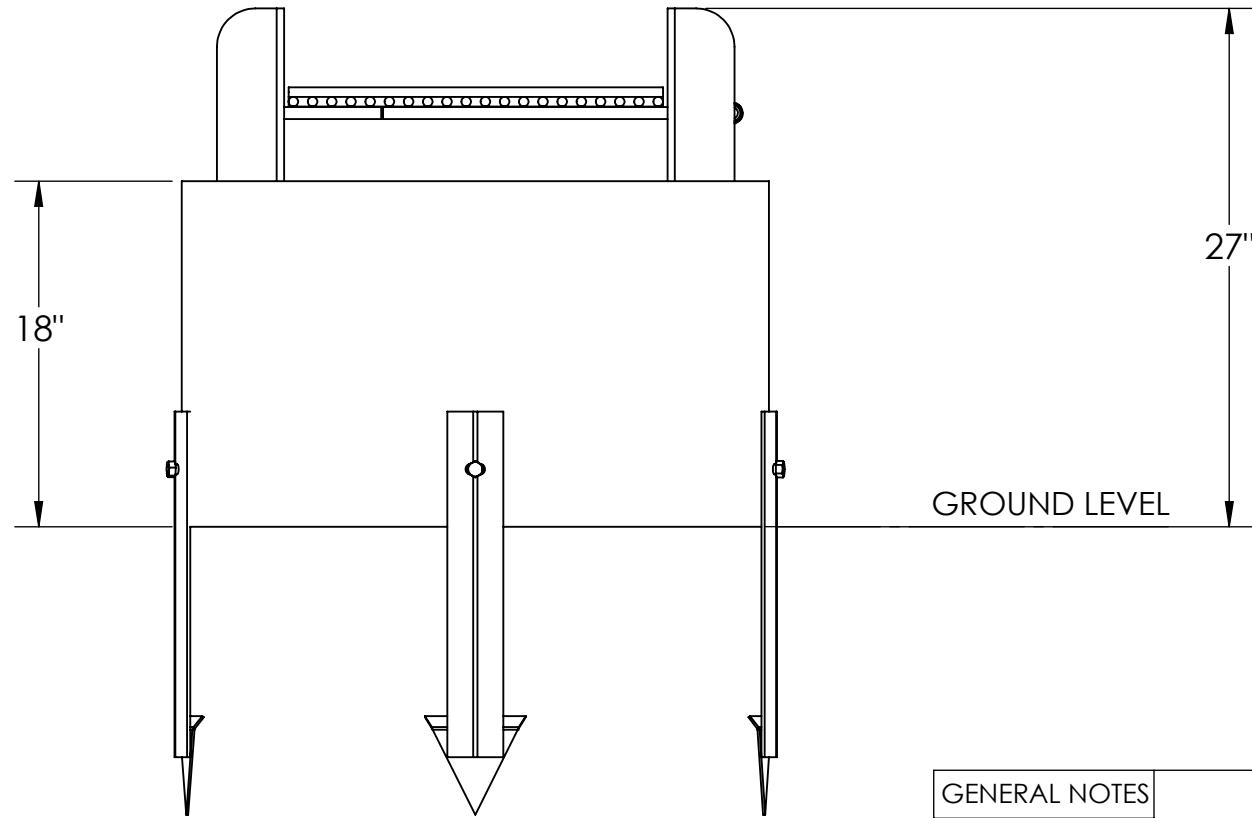
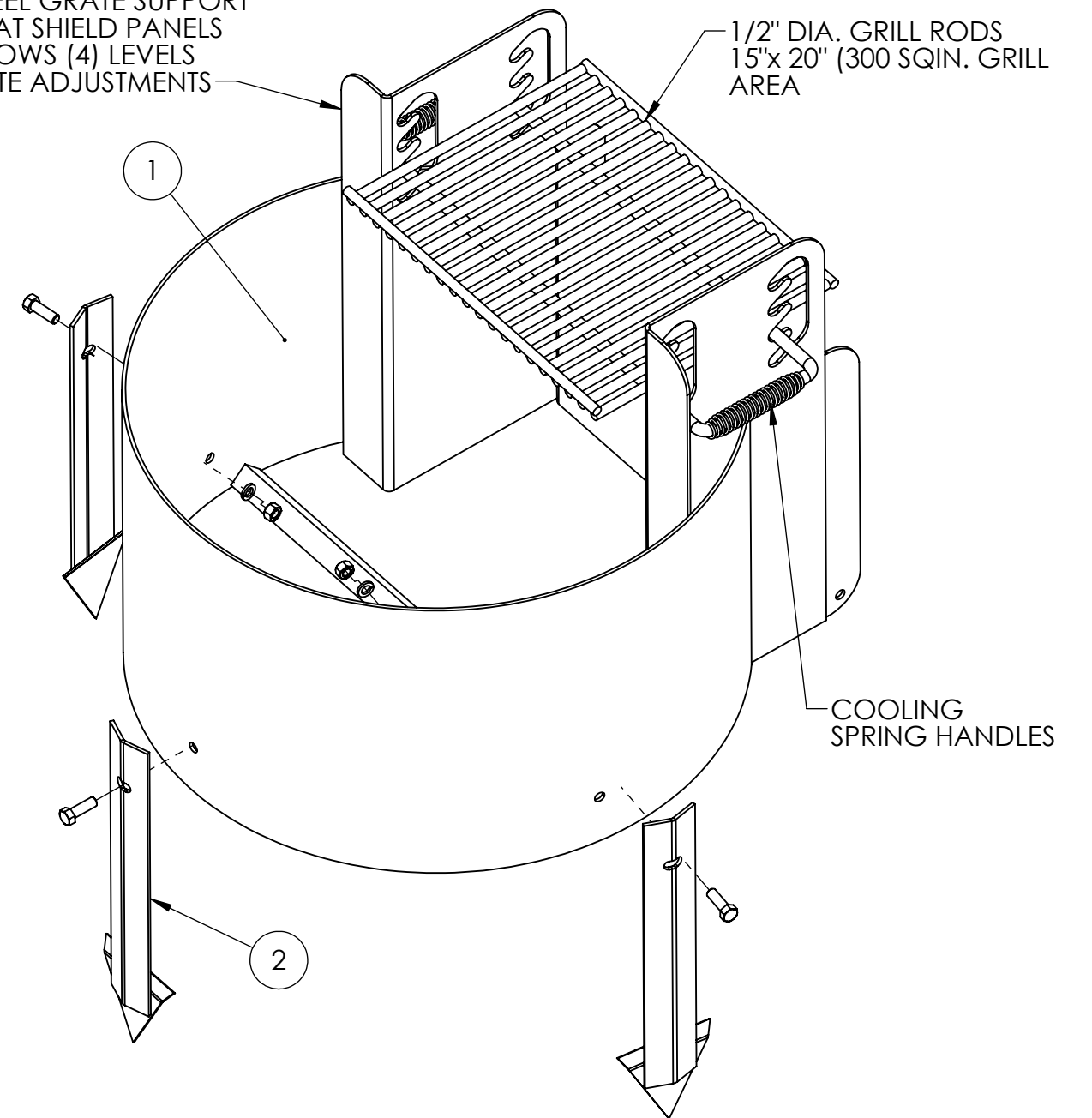


NO.	PART NUMBER	DESCRIPTION	MATERIAL	QTY.
1	AFG18-SA4	AFG FINAL ASSEMBLY ADA 18" HIGH		1
2	IFP-SAS	ANCHOR SPADE WELD ASSEMBLY		3
3	HBOLT 0.5000-13x1.5x1.25-N	1/2"-13x 1 1/2" HEX BOLT		3
4	Regular LW 0.5	1/2" REGULAR LOCK WASHER		3
5	HNUT 0.5000-13-D-N	1/2"-13 HEX LOCKNUT		3



3/16" STEEL GRATE SUPPORT AND HEAT SHIELD PANELS THIS ALLOWS (4) LEVELS OF GRATE ADJUSTMENTS



1. Before the assembly mark line on the ground the out side the grill for anchor spade placement and at as same time mark the center line where is bolts mount to grill.
2. Then take a hammer and insert the spade anchor into ground from outside line. Repeat this step with other spade anchors.
3. Place (3) 1/2" x 1 1/2" Hex Bolts into the hole of the Spade anchor and through the hole of base grill and other side use lock washer and nuts.

UNIT WGT: 163 Lbs.

GENERAL NOTES		DIMENSIONS ARE IN INCHES TOLERANCES: LINEAR: ± 1/16 ANGULAR: ± 1°	SHEET SIZE B	SCALE 1:10	REV
CONFIDENTIAL DRAWING. INFORMATION IS NOT TO BE COPIED OR DISCLOSED TO OTHERS WITHOUT CONSENT OF KAY INDUSTRIES. SPECIFICATIONS SUBJECT TO CHANGE WITHOUT NOTICE.			DRAWN BY	JNB	7/11/2017
			APPROVED		
			LAST SAVED	johnb	8/1/2017
			PART NO: AFG80WCSAS		DESC: FIRE RING ADA W/ADJUSTABLE GRATE & SPADE ANCHORS
PATH TO PART OR ASSM - AFG80WCSAS		S:\CADDRWGS\Solidworks\Grills\AFG\	Configuration - Default		8/1/2017 2:56:09 PM
					SHEET 1 OF 1