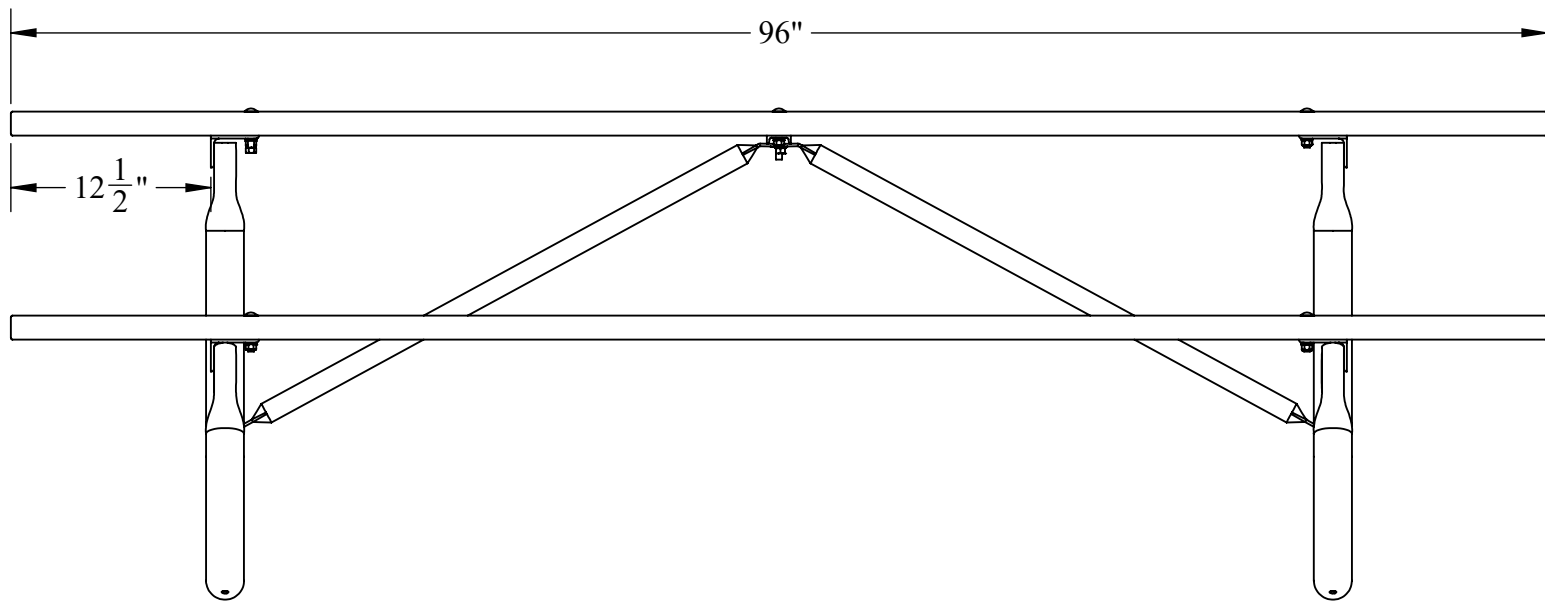
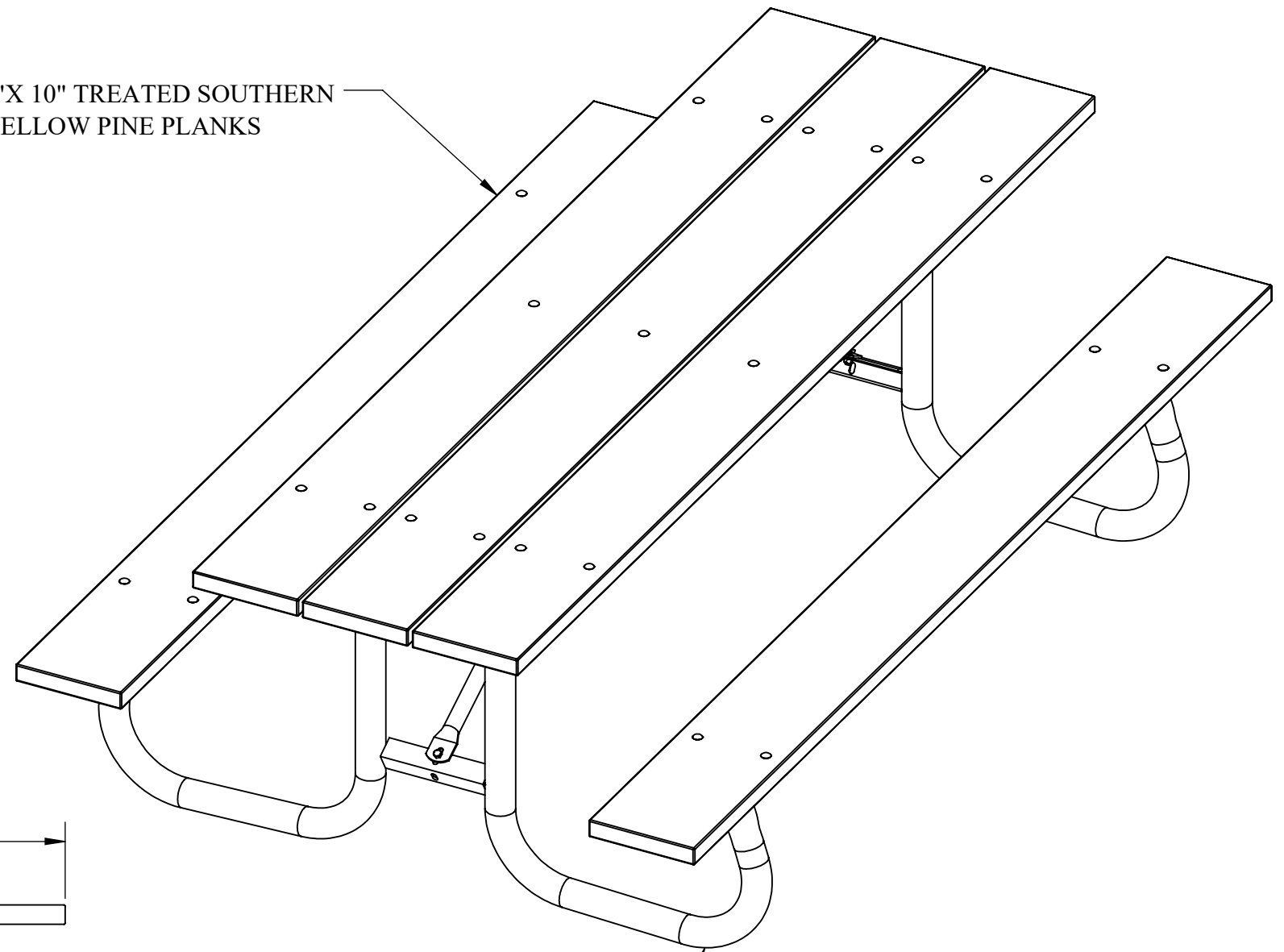


TABLE RESTS ON 4 OUTSIDE CORNERS TO HELP IMPROVE STABILITY ON UNEVEN GROUND



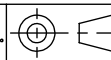
2"X 10" TREATED SOUTHERN YELLOW PINE PLANKS



2 3/8" O.D. GALVANIZED LEGS

GENERAL NOTES

DIMENSIONS ARE IN INCHES
TOLERANCES: LINEAR: $\pm 1/16$
ANGULAR: $\pm 1^\circ$



SHEET SIZE
B

SCALE
1:12

REV

CONFIDENTIAL DRAWING.
INFORMATION IS NOT TO BE COPIED OR
DISCLOSED TO OTHERS WITHOUT
CONSENT OF KAY INDUSTRIES.
SPECIFICATIONS SUBJECT TO CHANGE
WITHOUT NOTICE.

DRAWN BY

JNB

9/22/2014

DESC:

APPROVED

MATL:

LAST SAVED

johnb

6/16/2017

PART NO: