

# Wall-Mounted Outdoor Sink Station

## BARRIER FREE, WALL MOUNTED HAND WASHING STATION STANDARD FEATURES

- Both Child or Adult ADA Compliant (when properly installed)
- Resistant to sunlight, heat, moisture and wear
- 16 gage, 304 stainless steel bowl
- 12 gage, heavy duty stainless steel arm, corrosion and scratch resistant finish
- Hands Free Sensor Faucet
- 100 mesh inlet strainer
- Vandal resistant bottom stainless steel plate and screws
- Mounting plate

## SUGGESTED SPECIFICATIONS

Model Wall-Mounted Outdoor Sink Station series wall mounted, vandal resistant round Hand Washing Station made from 16 gage type 304 stainless steel bowl mounted into a 12 gage, heavy duty stainless steel support arm with powder coated or stainless steel finish. Unit shall be activated by a 9 Volt DC Hands Free Sensor Operated Battery Faucet with 0.5 GPM Laminar flow outlet to minimize splash (specify faucet operation). Hand Wash complies with ANSI A117.1, Public Law 111-380 (NO-LEAD), CHSC 116875. Fixture meets ADA Standing Person, and ADA Child requirements when mounted appropriately.



**MODEL:**  
(Must Specify)

- Satin stainless finish
  - Green powder-coated (Shown)
  - Red powder-coated
  - Blue powder-coated
- Custom color finishes available upon request

**OPERATION:**  
(Must Specify)

- SO-BAT Sensor Operation, Battery Powered Faucet
- SO Sensor Operation Faucet, Plug-In Transformer

**OPTIONS AND ACCESSORIES:**  
(Additional Costs May be Incurred)

- CSC Concealed Carrier Stanchion
- GW000-PS Pump Soap Dispenser <sup>1</sup>

Contact factory for information on freeze resistant models.

Option Details

<sup>1</sup> Side Mounted "Urn Style" with Mounting Bracket and Hardware  
Non-ADA Compliant

Complies with the following standards:



Member of  
U.S. Green  
Building  
Council



Recyclable  
Product



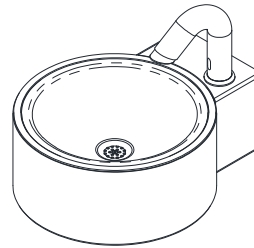
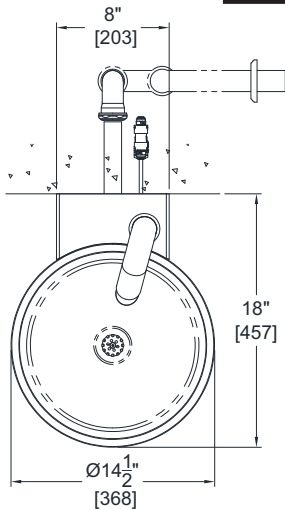
Water  
Conserving  
Product

**WARNING:** Cancer and Reproductive Harm - [www.P65Warnings.ca.gov](http://www.P65Warnings.ca.gov)

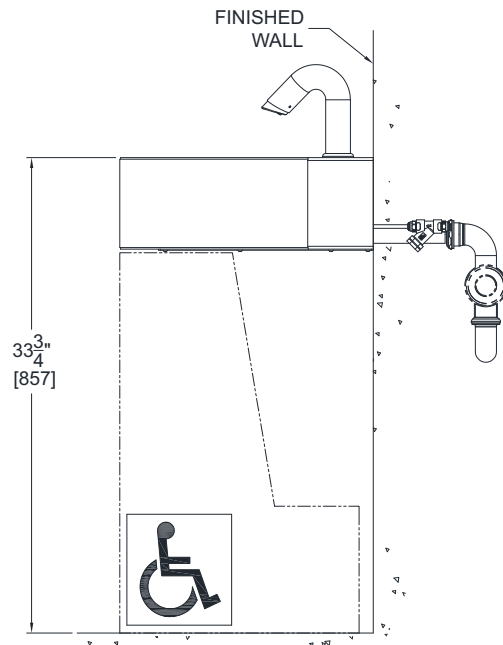
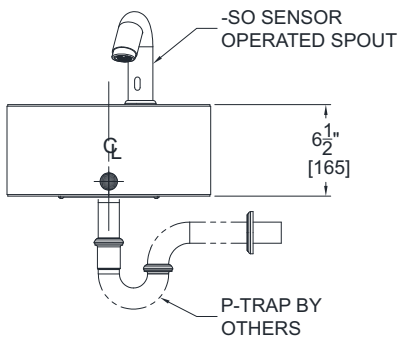
# Wall-Mounted Outdoor Sink Station

## WALL MOUNTED HAND WASHING STATION

\* Valve specifications:  
Minimum/Maximum Pressure  
30 to 100 psi.



GWC74-SO



### GENERAL NOTES:

1. ALL DIMENSIONS ARE IN INCHES [mm]
2. DIMENSIONS SHOWN ARE FOR RECOMMENDED ADULT HEIGHT. ADJUST VERTICAL DIMENSIONS AS NECESSARY TO COMPLY WITH FEDERAL, STATE & LOCAL CODES.
3. P-TRAP AND INLET STOP NOT PROVIDED.