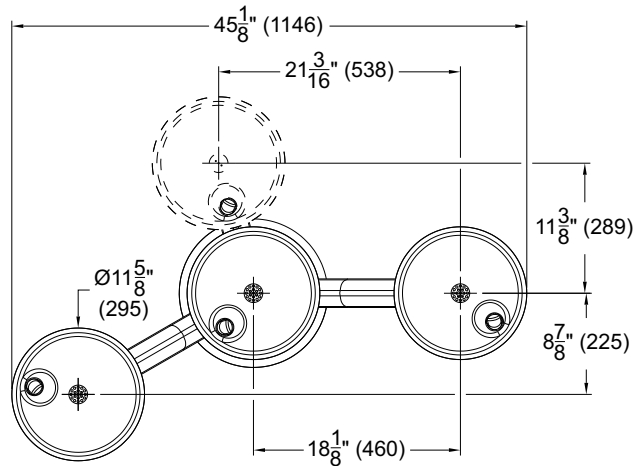


VINTAGE STYLE DRINKING FOUNTAIN

TRI-LEVEL DRINKING FOUNTAIN



* Valve specifications:
Minimum/Maximum Pressure
30 to 100 psi

