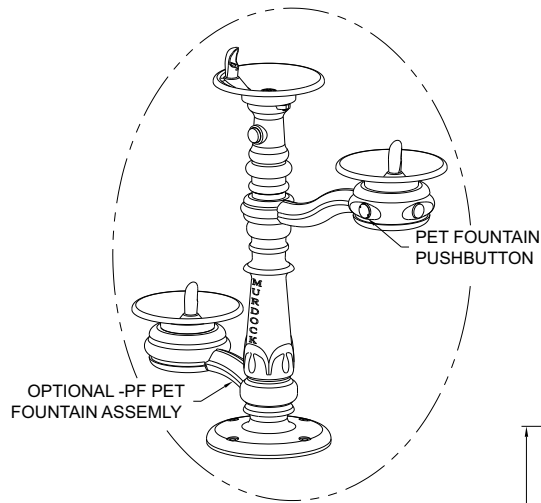
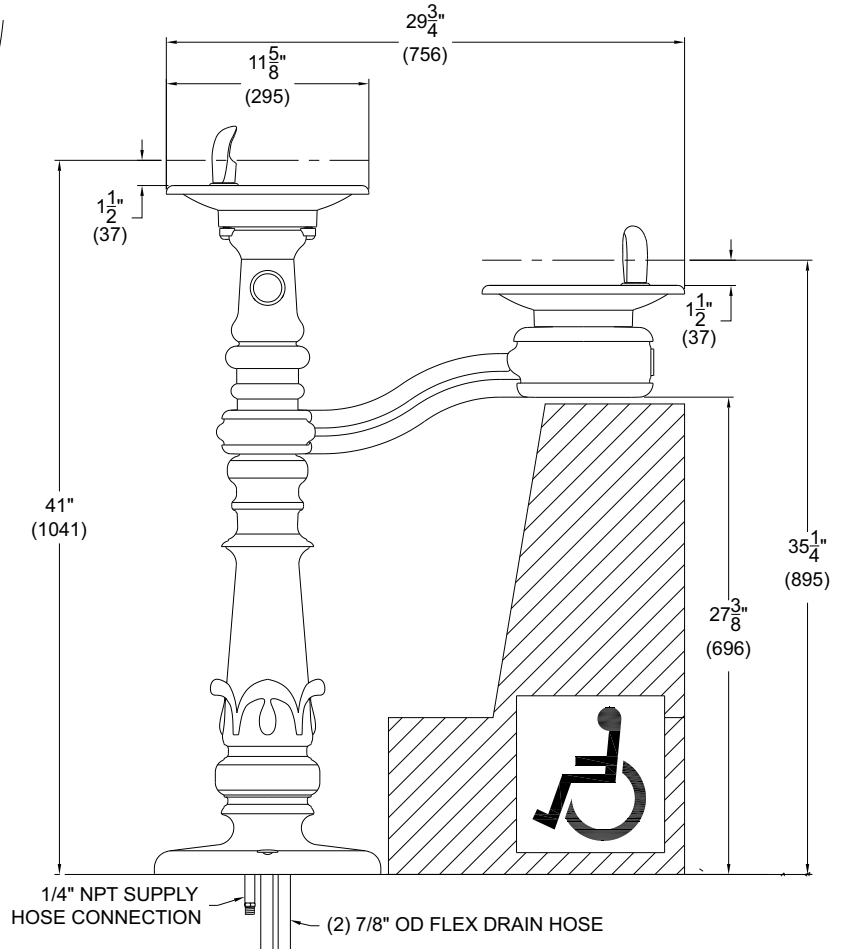


VINTAGE DRINKING FOUNTAIN

ADA COMPLIANT DRINKING FOUNTAIN WITH BI-LEVEL BOWLS



**SHOWN WITH OPTIONAL
-PF FOR REFERENCE**



* Valve specifications:
Minimum/Maximum Pressure
30 to 100 psi.