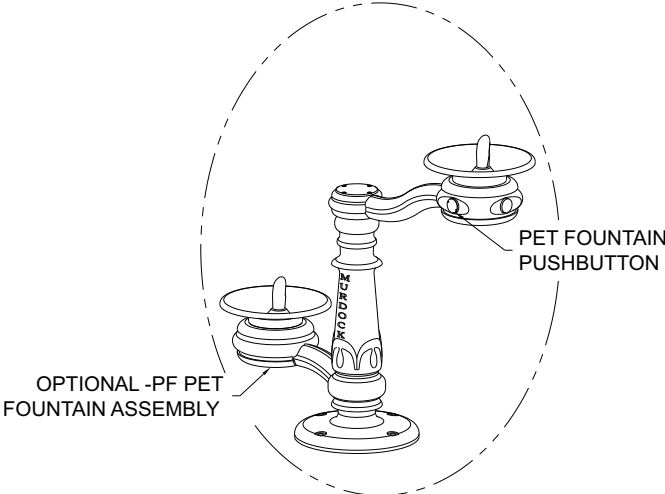
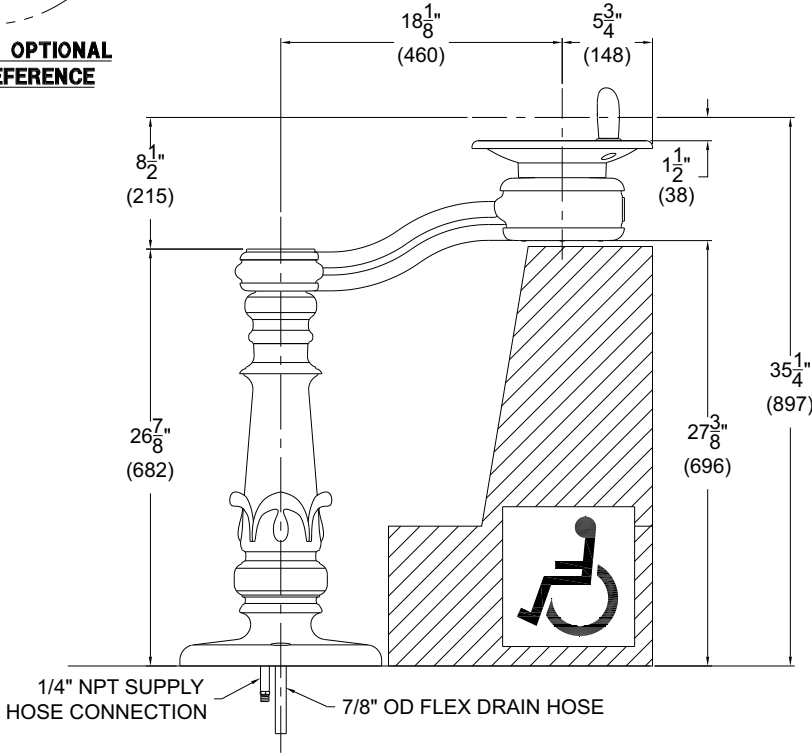


# VINTAGE STYLE DRINKING FOUNTAIN

## DRINKING FOUNTAIN WITH BOWL ON ARM



**SHOWN WITH OPTIONAL  
-PF FOR REFERENCE**



\* Valve specifications:  
Minimum/Maximum Pressure  
30 to 100 psi.