

Round Pedestal Mount Outdoor Drinking Fountain

STANDARD FEATURES

- Resistant to sunlight, heat, moisture and wear
- 18 gage, 304 stainless steel bowl
- 12 gage, heavy duty stainless steel, corrosion and scratch resistant finish
- Polished stainless steel, anti-rotation non-squirt bubbler
- 100 mesh inlet strainer
- Access door, heavy duty stainless steel, vandal resistant

SUGGESTED SPECIFICATIONS

Round Pedestal Mount Outdoor Drinking Fountain is a pedestal mounted, vandal resistant round drinking fountain made from an 18 gage, 304 stainless steel bowl mounted into a green powder coated 12 gage, heavy duty stainless steel pedestal. Unit shall be activated by a front mounted self-closing button, by using less than 5 pounds of force, which activates an internally mounted valve with an adjustable stream regulator controlling the water flow. Bubbler shall be polished stainless steel with a non-squirt feature and operate on water pressure range of 20-105 psig. Unit shall adhere to NSF/ANSI 61, Section 9, Public Law 111-380 (NO-LEAD), and CHSC 116875.

Options Notes:

¹ See separate option sheet.

² This option is not available freeze-resistant.

Complies with the following standards:



Model GRF35 Shown

MODEL:

(Must Specify)

- Satin stainless finish
- Green powder-coated (Shown)
- Red powder-coated
- Blue powder-coated

Custom color finishes available upon request

OPTIONS

(additional costs may be incurred)

- CH30 Child height, 30" bubbler height
- FRU1 Freeze resistant, 1 valve ¹
- FRU2 Freeze resistant, 2 valves ¹
- FRU3 Freeze resistant, 3 valves ¹
- FS Foot spray
- HB1 Hose bibb, compression, with hose threaded outlet/VB ^{1 2}
- HB2 Hose bibb, loose key, with hose threaded outlet/VB ^{1 2}
- HB3 Hose bibb, loose key, vandal resistant, with hose threaded outlet/VB ^{1 2}
- IGM In-ground 14" mounting
- JF1 Jug filler, spigot, self-closing valve with plain end ^{1 2}
- JF2 Jug filler, pushbutton, self-closing valve with plain end ¹
- NP1 Non-pollutable, freeze resistant, 1 valve
- NP2 Non-pollutable, freeze resistant, 2 valves
- NP3 Non-pollutable, freeze resistant, 3 valves
- PF Pet fountain receptor ¹

WARNING: Cancer and Reproductive Harm - www.P65Warnings.ca.gov



Member of
U.S. Green
Building
Council



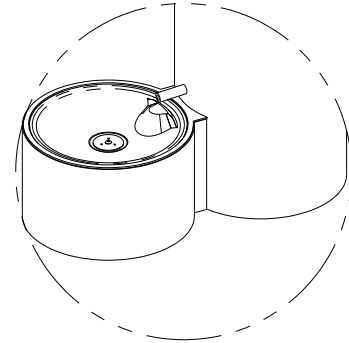
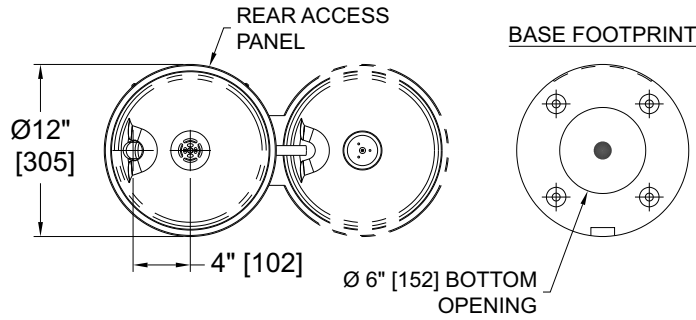
Recyclable
Product



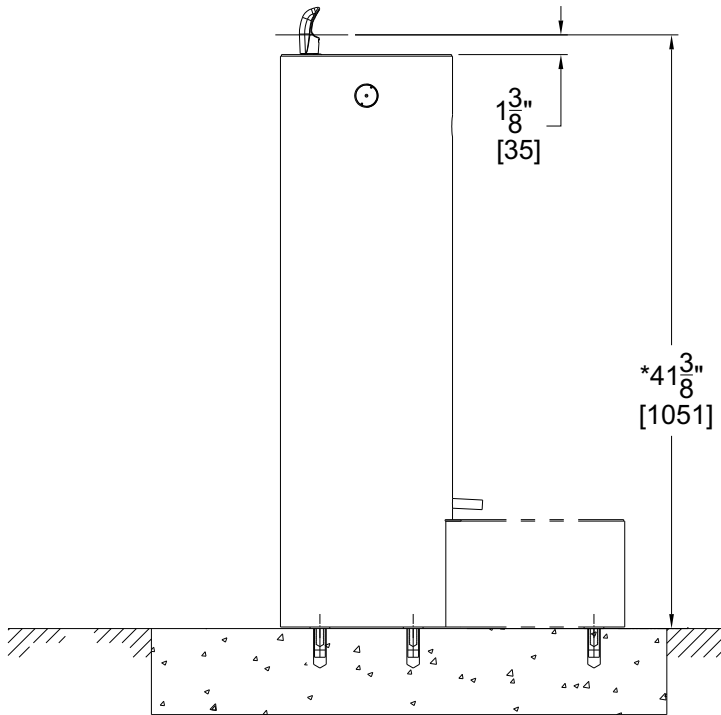
Water
Conserving
Product

Round Pedestal Mount Outdoor Drinking Fountain

IMPORTANT: INSTALLATION AND SITE PREP FOR FREEZE RESISTANT OPTIONS "-FRU, -NP" WILL DIFFER FROM STANDARD. REFER TO DESIGNATED FREEZE RESISTANT INSTALLATION DETAILS.



**OPTIONAL -PF PET FOUNTAIN
DETAIL**



GENERAL NOTES:

1. ALL DIMENSIONS ARE IN INCHES [MM].
- *2. STANDARD ADULT HEIGHT MODEL SHOWN. OPTIONAL -CH30 CHILD HEIGHT MODEL AVAILABLE.
3. STOP VALVE NOT PROVIDED.