

# Round Pedestal Mount Outdoor Drinking Fountain-Barrier Free Model

## STANDARD FEATURES

- ADA Compliant  
(when properly installed)
- Resistant to sunlight, heat, moisture and wear
- 18 gage, 304 stainless steel bowl
- 12 gage, heavy duty stainless steel, corrosion and scratch resistant finish
- Polished stainless steel, anti-rotation non-squirt bubbler
- 100 mesh inlet strainer
- Access door, heavy duty stainless steel, vandal resistant
- Vandal resistant stainless steel bottom plate

## SUGGESTED SPECIFICATIONS

Model GRJ85 is a barrier free, pedestal mounted, vandal resistant, round drinking fountain made from an 18 gage, 304 stainless steel bowl mounted into a green powder coated 12 gage, heavy duty stainless steel pedestal. Unit shall be activated by a front mounted self-closing button, by using less than 5 pounds of force, which activates an internally mounted valve with an adjustable stream regulator controlling the water flow. Bubbler shall be polished stainless steel with a non-squirt feature and operate on water pressure range of 20 - 105 psig. Fountain is certified to ANSI A117.1, Public Law 111-380 (NO-LEAD), CHSC 116875 and NSF/ANSI 61, Section 9. Fixture meets ADA, ADA Standing Person, and ADA Child requirements when mounted appropriately.

### Options Notes:

<sup>1</sup> See separate option sheet.

<sup>2</sup> This option is not available freeze-resistant.



### MODEL: (Must Specify)

Satin stainless finish  
Green powder-coated (Shown)  
Red powder-coated  
Blue powder-coated  
*Custom color finishes available upon request*

### OPTIONS

*(additional costs may be incurred)*

- CH30 Child height, 30" bubbler height
- FRU1 Freeze resistant, 1 valve <sup>1</sup>
- FRU2 Freeze resistant, 2 valves <sup>1</sup>
- FRU3 Freeze resistant, 3 valves <sup>1</sup>
- FS Foot spray
- HB1 Hose bibb, compression, with hose threaded outlet/VB <sup>1 2</sup>
- HB2 Hose bibb, loose key, with hose threaded outlet/VB <sup>1 2</sup>
- HB3 Hose bibb, loose key, vandal resistant, with hose threaded outlet/VB <sup>1 2</sup>
  
- IGM In-ground 14" mounting
- JF1 Jug filler, spigot, self-closing valve with plain end <sup>1 2</sup>
- JF2 Jug filler, pushbutton, self-closing valve with plain end <sup>1</sup>
- NP1 Non-pollutable, freeze resistant, 1 valve
- NP2 Non-pollutable, freeze resistant, 2 valves
- NP3 Non-pollutable, freeze resistant, 3 valves
- PF Pet fountain receptor <sup>1</sup>.

Complies with the following standards:



Federal Public Law 111-380 (No Lead)



Member of U.S. Green Building Council



Recyclable Product

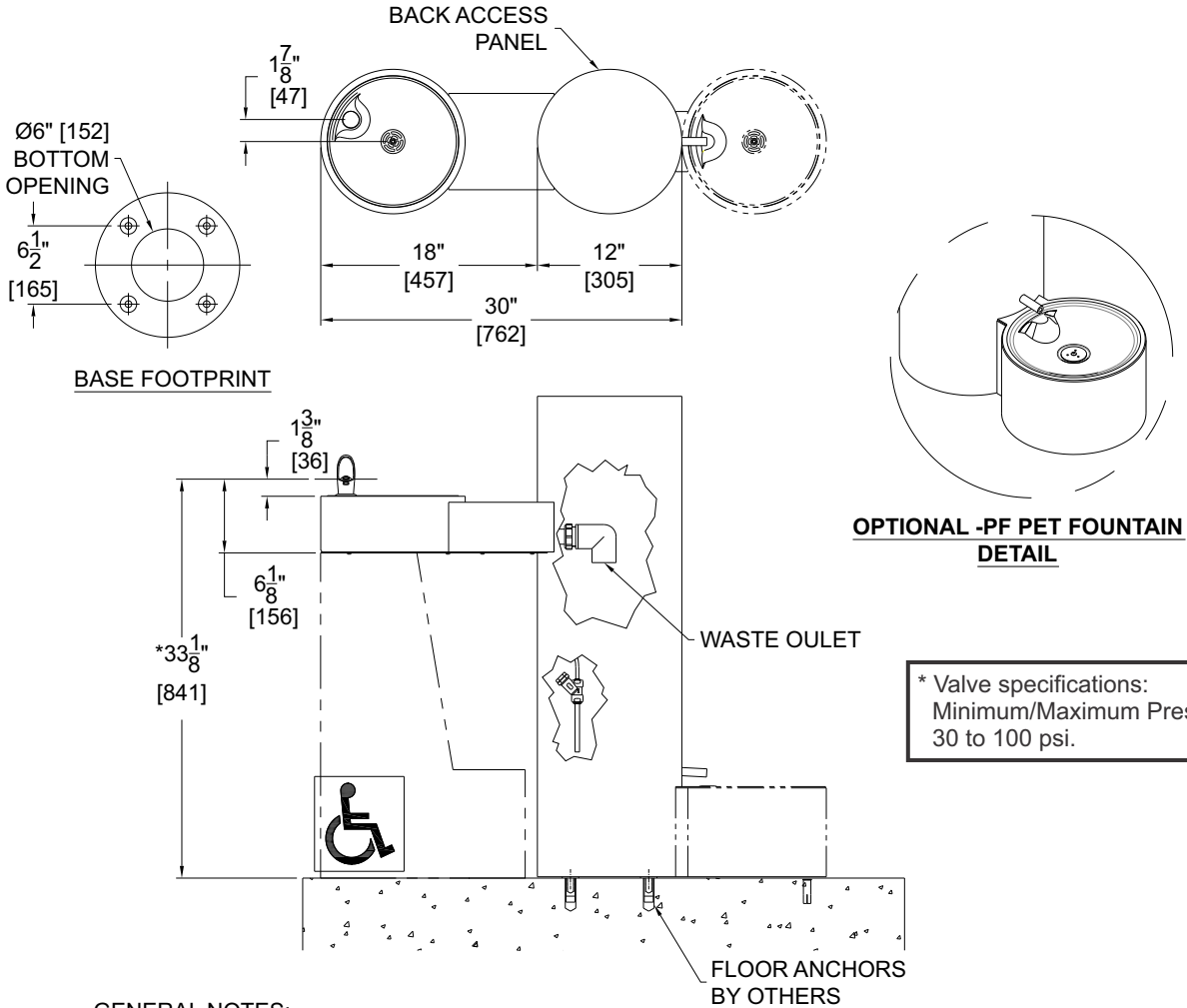


Water Conserving Product

**WARNING:** Cancer and Reproductive Harm - [www.P65Warnings.ca.gov](http://www.P65Warnings.ca.gov)

# Round Pedestal Mount Outdoor Drinking Fountain-Barrier Free Model

IMPORTANT: INSTALLATION AND SITE PREP FOR FREEZE RESISTANT OPTIONS "-FRU, -NP" WILL DIFFER FROM STANDARD. REFER TO DESIGNATED FREEZE RESISTANT INSTALLATION DETAILS.



- GENERAL NOTES:
1. ALL DIMENSIONS ARE IN INCHES [MM].
  - \*2. STANDARD ADA ADULT HEIGHT MODEL SHOWN. OPTIONAL -CH30 CHILD ADA HEIGHT MODEL AVAILABLE.
  3. STOP VALVE NOT PROVIDED.

\* Valve specifications:  
Minimum/Maximum Pressure  
30 to 100 psi.