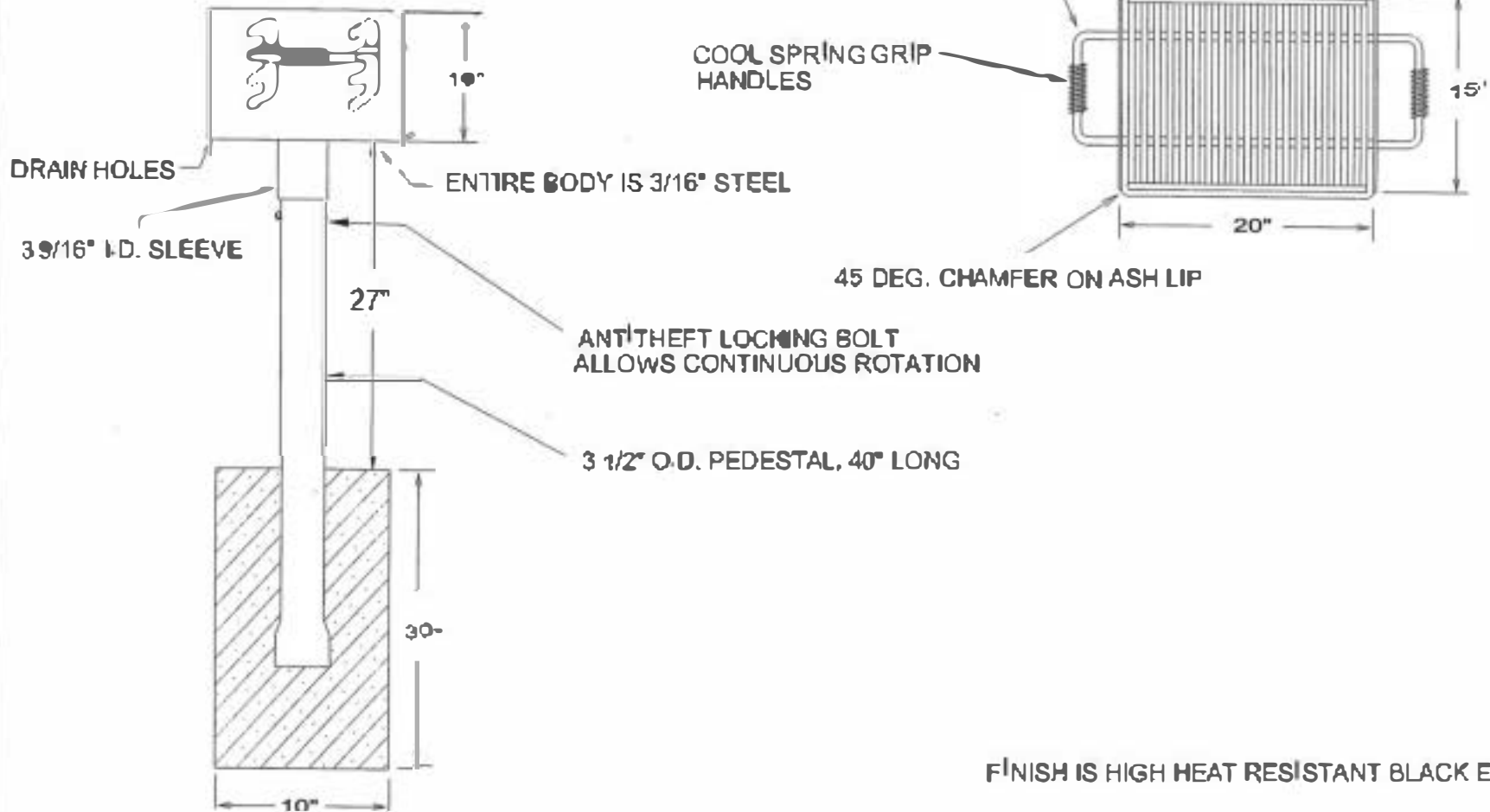


COOKING GRATE HAS 4 LEVELS OF ADJUSTMENT
AND CANNOT BE REMOVED FROM THE GRILL BODY

HANDLES ARE 5/8" ROD

COOKING SURFACE IS
1/2" RODS ON 1" CENTERS
300 SQ. IN.



FINISH IS HIGH HEAT RESISTANT BLACK ENAMEL

NOTE: THE SIZE OF THE FOOTING
IS ONLY A SUGGESTION
YOUR LOCAL SOIL CONDITIONS
SHOULD DETERMINE WHAT IS
NECESSARY

			WT- 86 lbs.
DRAWN BY	LOG	DATE	1/5/98
			REV. NONE