

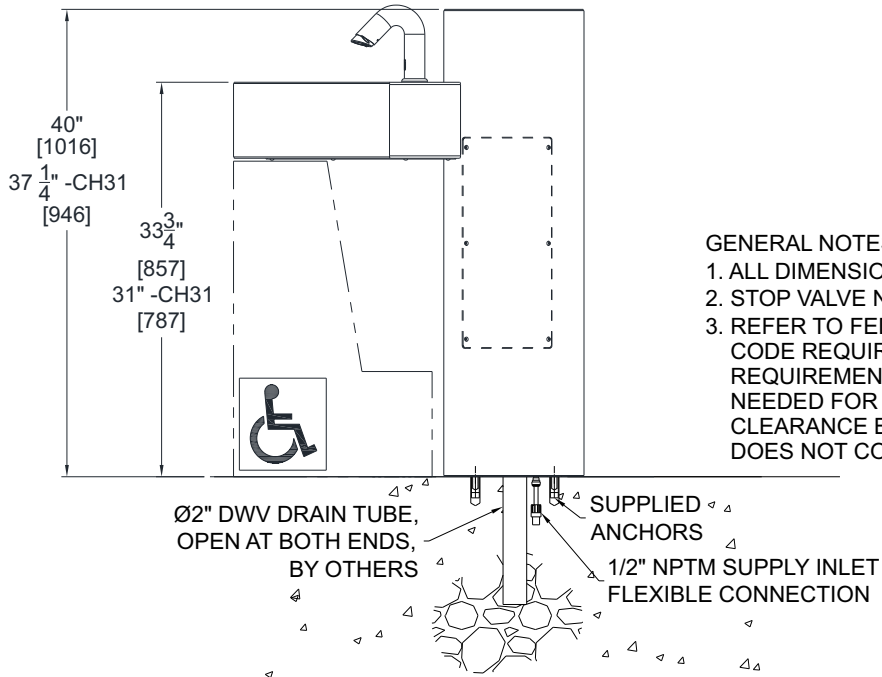
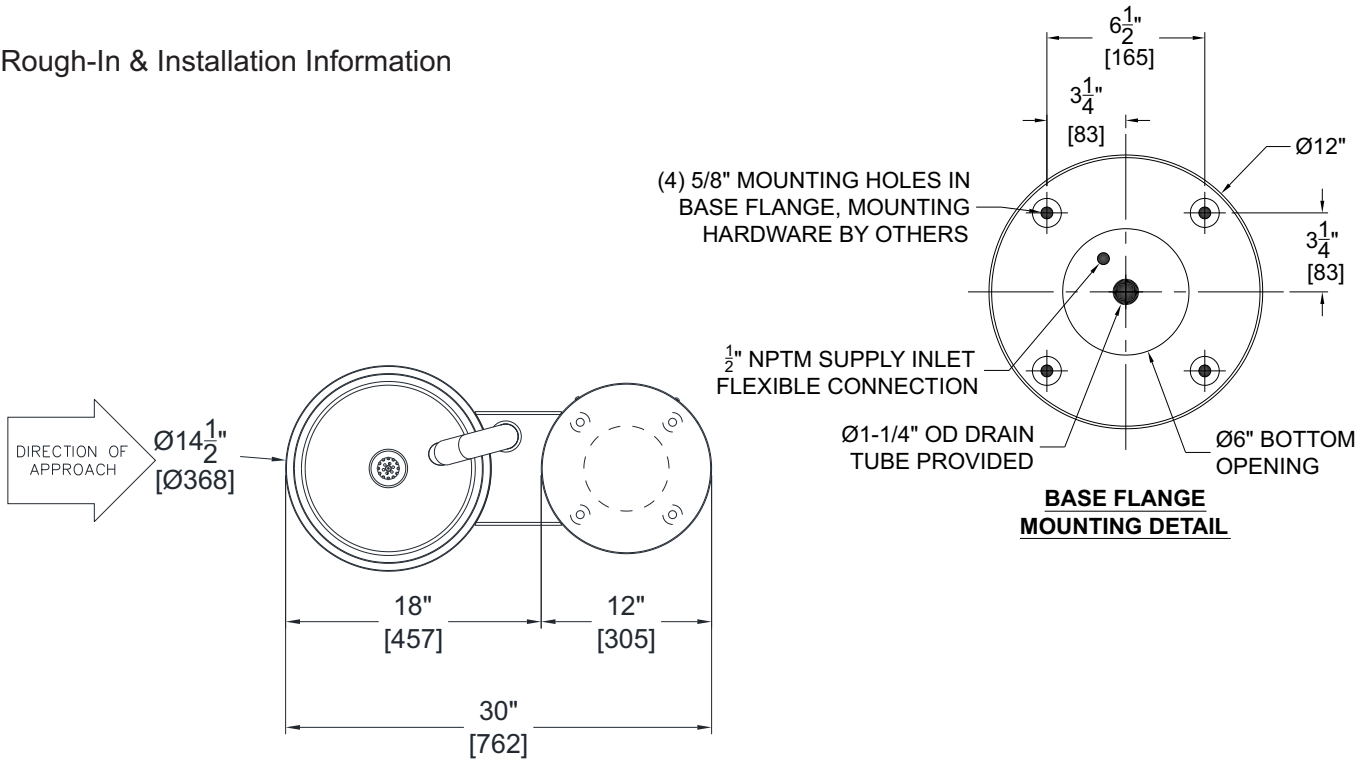
PRIOR TO INSTALLATION:

1. Read all installation instructions carefully, before proceeding.
2. Carefully remove fixture from packaging, preventing scratching or damage.
3. Unit is provided with six AA alkaline batteries.
4. Provide mounting surface, sufficient to support the fixture and loads on the fixture.
5. Provide rough-ins as shown on the roughing-in and dimensional drawing, including water supply, drain pipe and gravel drain well. (See rough-in details)
6. Completely flush water supply lines of all foreign debris, before connecting to the fixture.

INSTALLATION: (see drainage & mounting roughing-in for appropriate model)

1. Locate the unit over rough-ins on mounting pad, mark mounting holes in base flange.
2. Tilt the unit down on its side, next to the mounting location. Install ½" mounting anchors (by others). Optional -IAP (in-ground anchor plate) which is cast into the concrete, is available.
3. Make up 1-1/4" OD drain tube into the open ended DWV drain tube (by others). Connect the ½" male NPT fitting to a potable water supply. Then tilt the unit into place, making sure that the tubing is not pinched or kinked. Secure the base flange to the mounting pad.
4. Connect the battery pack to matching battery wire terminals. When connected the unit is active.
5. Test for leaks and proper operation, and then install the access panel.

Rough-In & Installation Information



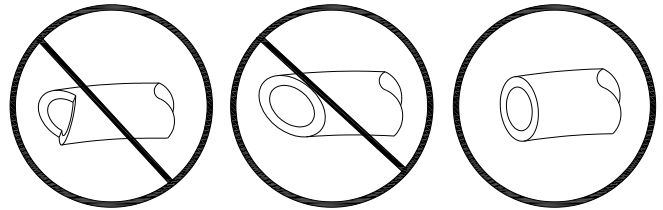
- GENERAL NOTES:**
1. ALL DIMENSIONS ARE IN INCHES [MM].
 2. STOP VALVE NOT PROVIDED.
 3. REFER TO FEDERAL, STATE AND LOCAL CODE REQUIREMENTS FOR COMPLETE REQUIREMENTS AND CLEAR FLOOR SPACE NEEDED FOR COMPLIANCE. CLEARANCE BELOW HAND WASH BASIN DOES NOT CONFORM WITH CBC T24 (CALIF).

PUSH-IN FITTING INSTALLATION

NOTE: FITTINGS AND TUBE SHOULD BE KEPT CLEAN, BAGGED AND UNDAMAGED PRIOR TO INSTALLATION.

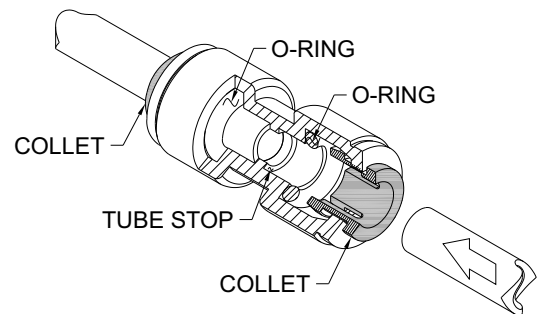
TO CUT TUBE:

Cut to fit length of 1/4" PE tubing and remove any burrs or sharp edges. Ensure that the outside diameter is free from score marks. Tube ends should be square.

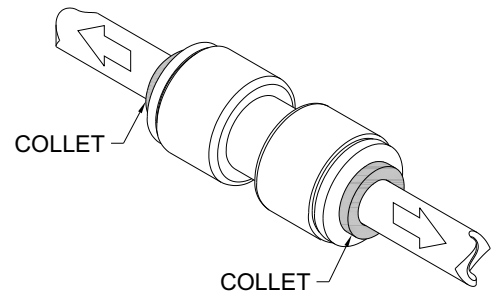


INSERTING THE TUBE:

1. Firmly and fully insert the tubing end into the push-in fitting up to the tube stop located approximately 1/2" deep.

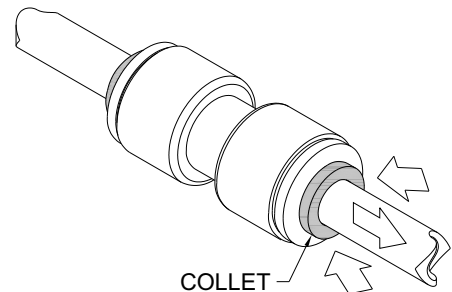


2. Pull on the fitted tubing to ensure it is secure. Tube should not come free from the fitting. Water test the connection assembly prior to leaving the site to ensure there are no leaks.



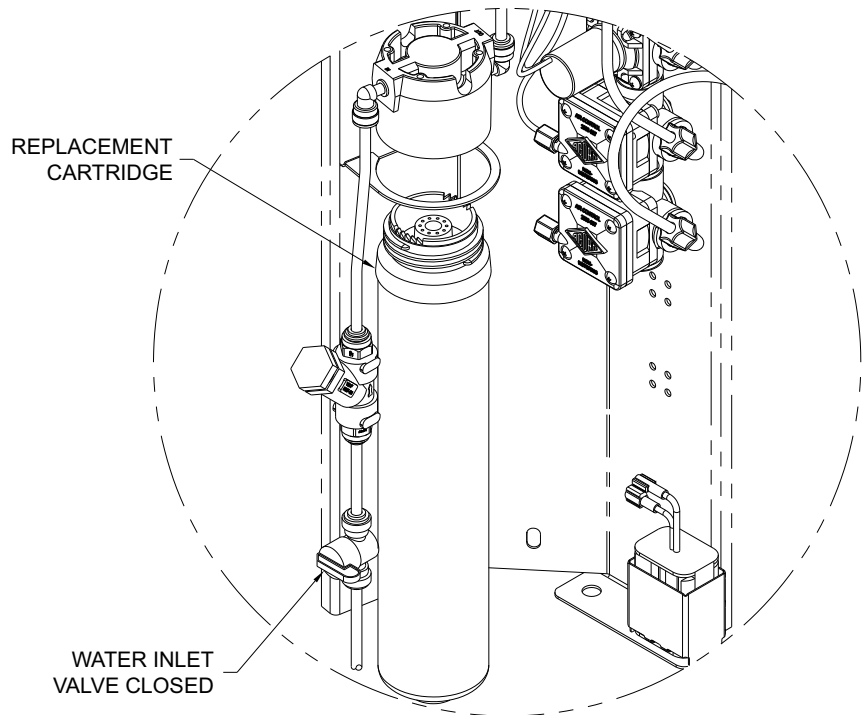
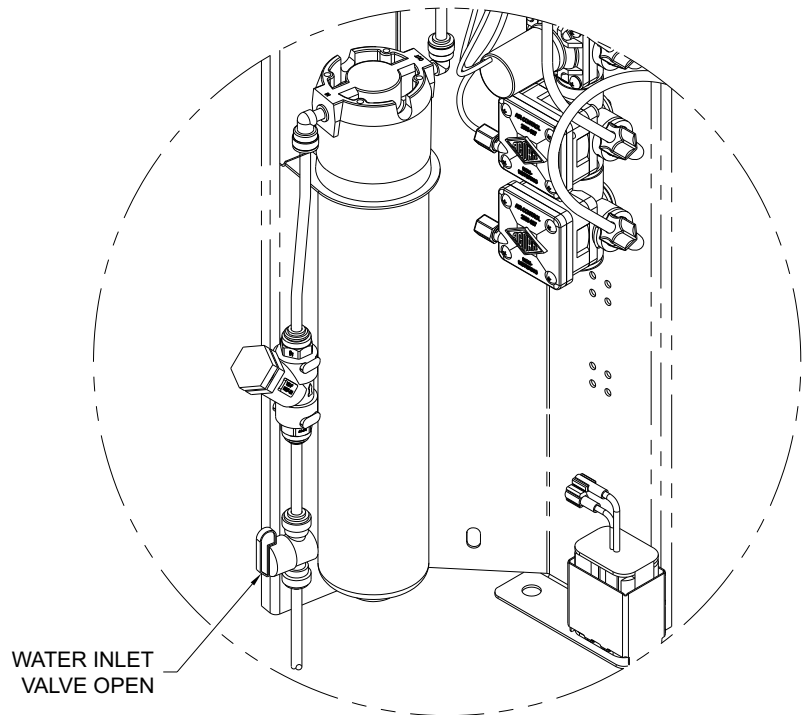
DISCONNECTING THE TUBE:

To disconnect the tube from the fitting ensure that the water line is depressurized. Push collet square towards the push-in fitting body and hold. While holding the collet in, pull on the PE tubing to remove from the push-in fitting.



**FILTER CARTRIDGE
REPLACEMENT GWQ84
MODELS ONLY:**

1. Unlock and swing bottle filler door open, this allows access to the filter and turn the inlet valve 1/4 turn clockwise to close.
2. Raise the filter assembly straight up about six inches and while holding the cap firmly, turn the replaceable cartridge filter counterclockwise to remove.
3. Remove and replace the cartridge turning clockwise to secure.
5. Turn inlet valve 1/4 turn counterclockwise to open and test for leaks and proper operation before closing access door.



TROUBLESHOOTING:

1. RESTRICTED OR NO WATER FLOW:

- a. Ensure Water Supply service stop valve is fully open.
- b. Verify minimum 20 psig supply line flow pressure.
- c. Check for twist or kinks in spout tubing.
- d. Check the water inlet "Y" strainer. Sediment from the main supply can get trapped in the screen along with installation materials such as pipe dope and flux. The screen should be cleaned and checked on a regular basis and replace if needed.
- e. Flow control in solenoid valve outlet elbow clogged remove & clean.

SENSOR TROUBLESHOOTING:

1. IF LIGHT WITHIN SENSOR DOES NOT FLASH ONCE WHEN USER IS WITHIN RANGE:

- a. Verify 9VDC output of battery pack.
- b. Replace defective batteries.
- c. Sensor in "Security Mode" after 30 seconds of constant detection. Remove source of detection and wait 30 second before checking.
- d. Sensor is picking up a highly reflective surface. Eliminate cause of reflection and wait 30 seconds before checking.

2. IF LIGHT WITHIN SENSOR LENS FLASHES ONCE WHEN THE USER IS WITHIN RANGE:

- a. Repair bad connection from sensor to solenoid.
- b. There is debris or scale in the solenoid assembly. Remove solenoid, pull out plunger and spring. Clean with scale remover solution.
- c. There is debris or scale in center or two holes in convolution of the water diaphragm. Remove and clean.

CLEANING & MAINTENANCE GUIDE:

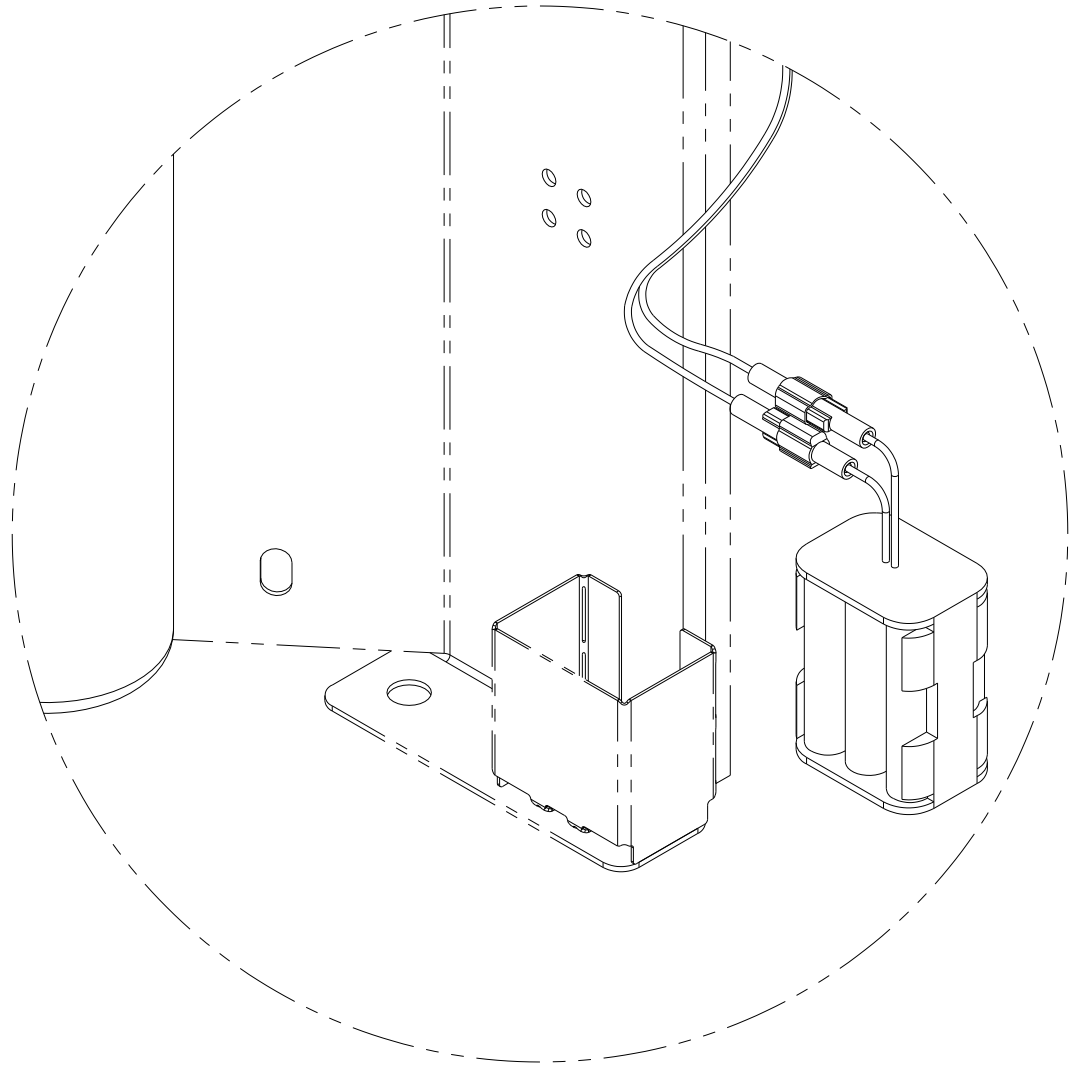
For Powder coated units: Units should be cleaned using a mild soap solution with a sponge or cotton cloth. Wipe down surfaces then rinse with clean water.

For Stainless steel units:

1. To remove water spots or rust spots, stainless steel cleaner/polish on a cloth is recommended.
2. If there are stubborn spots or if you wish to treat a scratch, synthetic abrasive general purpose pads such as scotch brite are recommended.
3. Apply stainless steel cleaner/polish to the synthetic abrasive pads and carefully rub the panel with the grain.
4. DO NOT use harsh chemicals, abrasive or petroleum based cleaners. Use of these will void the Murdock warranty. DO NOT use abrasives on powder coated units.
5. Stainless steel should be kept clean at all times. If a coating of stainless steel cleaner/polish is maintained, stainless steel surfaces will retain their new, clean & polished appearance indefinitely.
6. Periodically remove access panel of cooler and clean out inline "Y" strainer

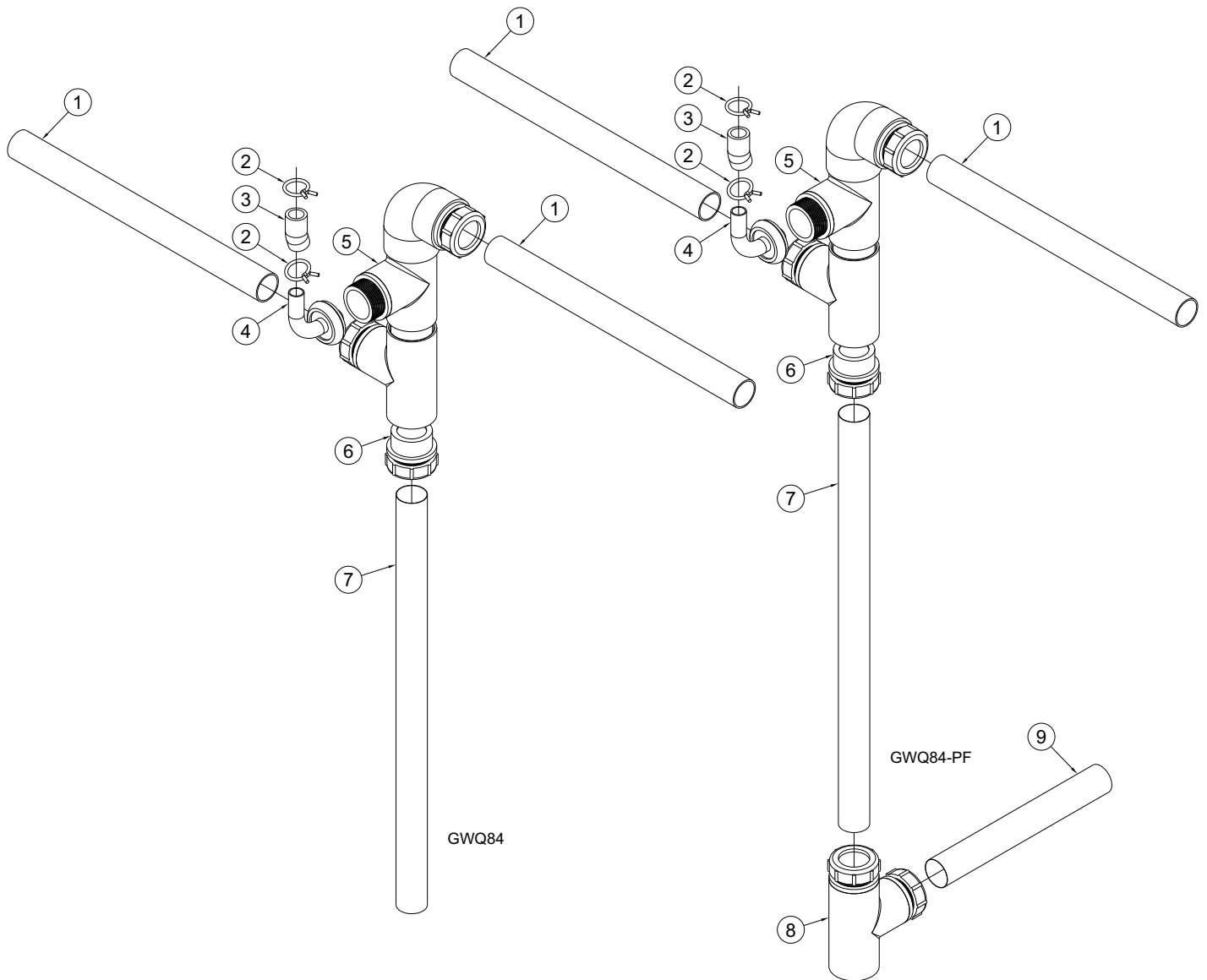
BATTERY REPLACEMENT:

1. Unlock and swing open bottle filler door and remove battery pack from placed location. Do not disconnect the wires from the battery pack unless necessary.
2. Replace the six alkaline AA batteries while observing polarity.
3. Return the battery pack back to mounted location and test for proper operation. Then close bottler filler door and lock.



**Connections and Assembly,
Repair Parts**

ITEM	PART NUMBER	DESCRIPTION
1	JSMBF123-199	1-1/4" OD x 14-5/8" LONG DRAIN TUBE
2	7003-184-000	7/8" SPRING HOSE CLAMP
3	7003-183-000	ANSI/AHAM CERT FLEX HOSE, 5/8" x 7/8"
4	JSMBF114-003	1-1/4" OD TO 5/8" DRAIN FITTING
5	JSMDBF03-003	1-1/4" OD DOUBLE TEE & ELBOW ASSY
6	1802-100-000	1-1/4" SPIGOT BY COMPRESSION
7	JSMBF122-199	1-1/4" OD x 21-1/4" LONG DRAIN TUBE
8	7002-011-001	1-1/4" OD TEE ASSY
9	7000-109-199	1-1/4" OD x 9-1/4" LONG DRAIN TUBE



Connections and Assembly, Repair Parts

ITEM	PART NUMBER	DESCRIPTION
1	7000-111-199	1-1/4" OD x 14" LONG DRAIN TUBE
2	7003-184-000	7/8" SPRING HOSE CLAMP
3	7003-183-000	ANSI/AHAM CERT FLEX HOSE, 5/8" x 7/8"
4	JSMBF119-002	1-1/4" OD TO 5/8" DRAIN FITTING
5	7002-018-001	1-1/4" OD TEE ASSY, BOTTLE FILLER
6	7000-112-199	1-1/4" OD x 20-1/2" LONG DRAIN TUBE
7	7002-011-001	1-1/4" OD TEE ASSY
8	7000-108-199	1-1/4" OD x 8-1/4" LONG DRAIN TUBE

