

Economy Outdoor Pedestal Drinking Fountain

OUTDOOR PEDESTAL MOUNT DRINKING FOUNTAIN WITH BOTTLE FILLER

STANDARD FEATURES

- n *Hand Operation is Standard*
- n *Optional Foot Button for Dual Hand/Foot Control*
- n *All Stainless Steel Construction*
- n *Bottle Filler Meets ADA Side Reach Requirements*
- n *Stainless Steel Construction*
- n *Laminar Flow Bottle Filler spout*
- n *100 Mesh Inlet Strainer*

SUGGESTED SPECIFICATIONS

Model ECO-DF-BF Drinking Fountain and Bottle Filler shall be pushbutton operated requiring less than 5 pounds of force to activate an internally mounted self closing valve. *(Foot Button for dual operation is optionally available.)* Bottle Filler shall include Laminar Flow Spout with an Adjustable Stream Regulator to control the water flow. Drinking Fountain shall include Stainless Steel Drinking Bubbler and Drain Grate. Housing and Pedestal shall be 18 gauge type 304 stainless steel with all exposed surfaces polished to a #4 satin finish. Pedestal base shall include concealed bolt holes for securing unit to floor. Bottle Filler and Drinking Fountain shall include Drain Grate with 7/8" O.D. flexible waste hose for trench drain waste (below grade). Provide stainless steel Access Panels to service and install unit with vandal-resistant, stainless steel fasteners. Side Access Panel shall include a Cylinder Lock vandal resistance and ease of removal. Unit shall contain a 100 mesh inlet strainer. Unit shall be certified to meet NSF/ANSI 61, Section 9, Public Law 111-380 (No-Lead) and CHSC 116875. Standard Pushbutton operated Bottle Filler shall meet ADA side reach requirements when located appropriately.



OPTIONAL ACCESSORIES

(additional costs may be incurred)

- 1500-Gallon Capacity, NSF 42+53, 1-Micron Lead Reduction Filter
- 3000-Gallon Capacity, NSF 42+53, 1-Micron Lead Reduction Filter

Complies with the following

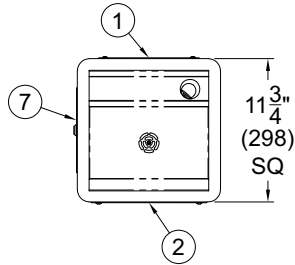


⚠ WARNING: Cancer and Reproductive Harm - www.P65Warnings.ca.gov

Economy Outdoor Pedestal Drinking Fountain

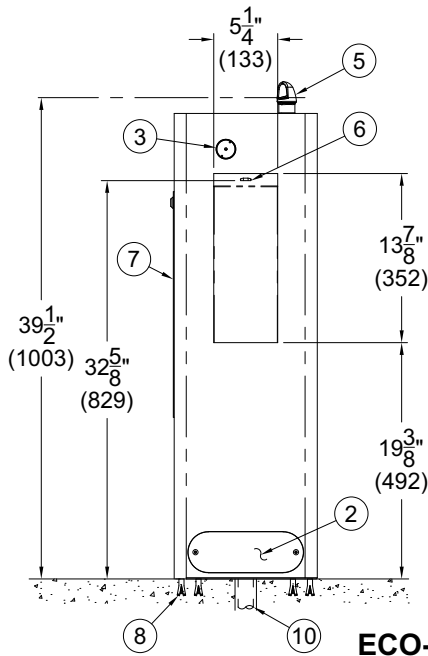
ECONOMY MODEL

OUTDOOR PEDESTAL DRINKING
FOUNTAIN WITH BOTTLE FILLER

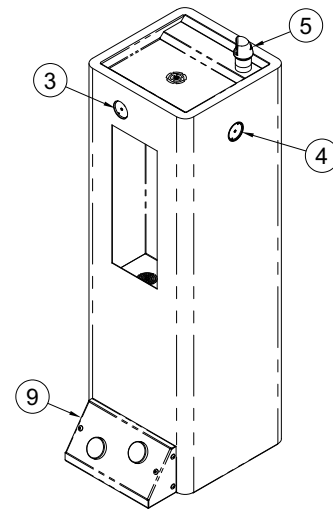
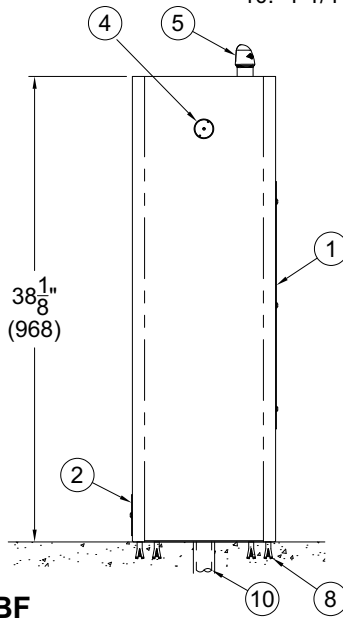


NOTES:

1. REAR ACCESS PANEL
2. BOTTOM ACCESS PANEL
3. BOTTLE FILLER PUSHBUTTON
4. DRINKING FOUNTAIN PUSHBUTTON
5. DRINKING BUBBLER
6. BOTTLE FILLER NOZZLE
7. SIDE ACCESS PANEL WITH CYLINDER LOCK
8. INSTALLER PROVIDED FLOOR ANCHORS AND ANCHORING HARDWARE
9. OPTIONAL -F FOOT OPERATED BUTTON ASSEMBLY
10. 1-1/4" O.D. WASTE TUBE, BY OTHERS



ECO-DF-BF



ECO-DF-BF-F

GENERAL NOTES:

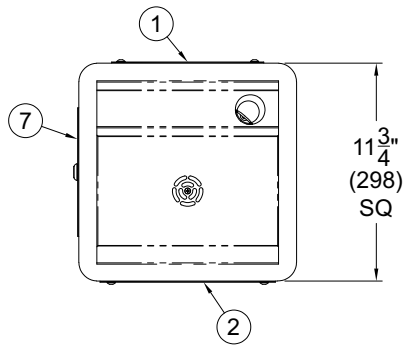
1. ALL DIMENSIONS ARE IN INCHES (MM)
2. SUPPLY STOP VALVE NOT PROVIDED

* Valve specifications:
Minimum/Maximum Pressure
30 to 100 psi.

Economy Outdoor Pedestal Drinking Fountain

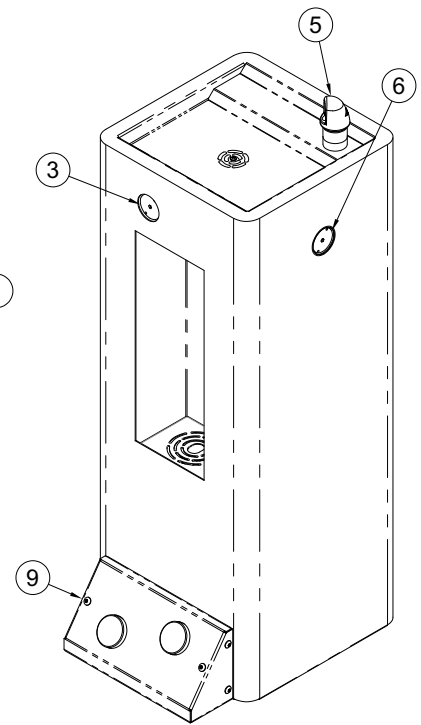
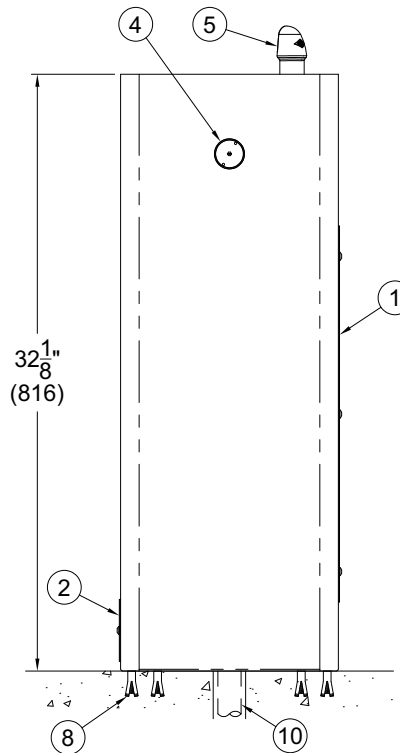
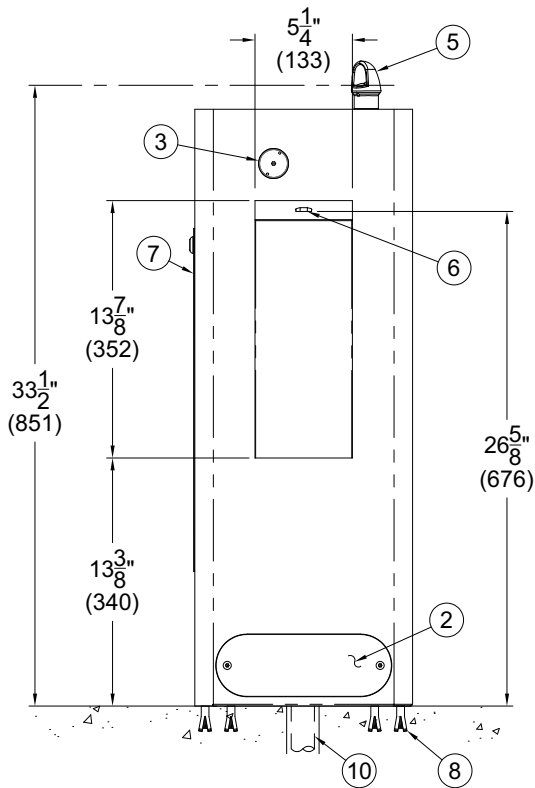
ECONOMY MODEL

OUTDOOR PEDESTAL DRINKING FOUNTAIN WITH BOTTLE FILLER



NOTES:

1. REAR ACCESS PANEL
2. BOTTOM ACCESS PANEL
3. BOTTLE FILLER PUSHBUTTON
4. DRINKING FOUNTAIN PUSHBUTTON
5. DRINKING BUBBLER
6. BOTTLE FILLER NOZZLE
7. SIDE ACCESS PANEL WITH CYLINDER LOCK
8. INSTALLER PROVIDED FLOOR ANCHORS AND ANCHORING HARDWARE
9. OPTIONAL -F FOOT OPERATED BUTTON ASSEMBLY
10. 1-1/4" O.D. WASTE TUBE, BY OTHERS



GENERAL NOTES:

1. ALL DIMENSIONS ARE IN INCHES (MM)
2. SUPPLY STOP VALVE NOT PROVIDED

* Valve specifications:
Minimum/Maximum Pressure
30 to 100 psi.