

ECO-DF Series

ECONOMY MODEL

OUTDOOR PEDESTAL MOUNT

DRINKING FOUNTAIN

STANDARD FEATURES

- n *Hand Operation is Standard*
- n *Optional Foot Button for Dual Hand/Foot Control*
- n *All Stainless Steel Construction*
- n *Stainless Steel Construction*
- n *100 Mesh Inlet Strainer*

SUGGESTED SPECIFICATIONS

Model ECO-DF Drinking Fountain shall be pushbutton operated requiring less than 5 pounds of force to activate an internally mounted self closing valve. (*Foot Button for dual operation is optionally available.*) Drinking Fountain shall include Stainless Steel Drinking Bubbler and Drain Grate. Housing and Pedestal shall be 18 gauge type 304 stainless steel with all exposed surfaces polished to a #4 satin finish. Pedestal base shall include concealed bolt holes for securing unit to floor. Drinking Fountain shall include Drain Grate with 7/8" O.D. flexible waste hose for trench drain waste (below grade). Provide stainless steel Access Panels to service and install unit with vandal-resistant, stainless steel fasteners. Side Access Panel shall include a Cylinder Lock vandal resistance and ease of removal. Unit shall contain a 100 mesh inlet strainer. Unit shall be certified to meet NSF/ANSI 61, Section 9, Public Law 111-380 (No-Lead) and CHSC 116875.



OPTIONAL ACCESSORIES

(additional costs may be incurred)

- 1500-Gallon Capacity, NSF 42+53,
1-Micron Lead Reduction Filter
- 3000-Gallon Capacity, NSF 42+53,
1-Micron Lead Reduction Filter

Complies with the Following



Member of
U.S. Green
Building
Council



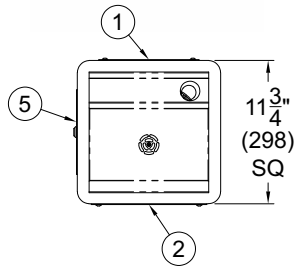
Recyclable
Product



Water
Conserving
Product

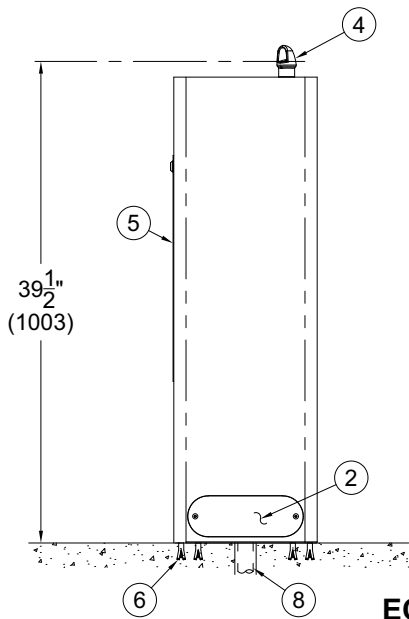
 WARNING: Cancer and Reproductive Harm - www.P65Warnings.ca.gov

Economy Outdoor Pedestal Drinking Fountain

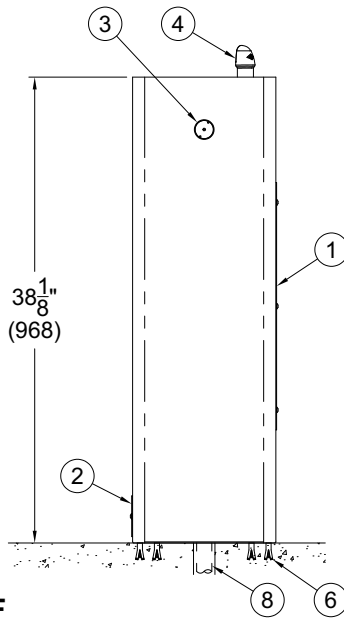


NOTES:

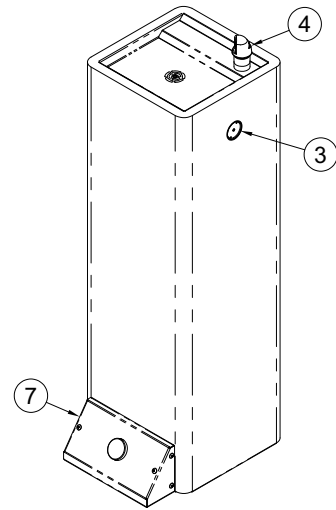
1. REAR ACCESS PANEL
2. BOTTOM ACCESS PANEL
3. DRINKING FOUNTAIN PUSHBUTTON
4. DRINKING BUBBLER
5. SIDE ACCESS PANEL WITH CYLINDER LOCK
6. INSTALLER PROVIDED FLOOR ANCHORS AND ANCHORING HARDWARE
7. OPTIONAL -F FOOT OPERATED BUTTON ASSEMBLY
8. 1-1/4" O.D. WASTE TUBE, BY OTHERS



ECO-DF



ECO-DF-F

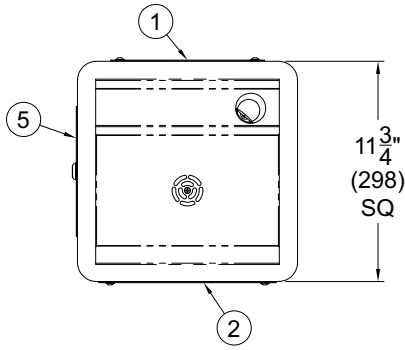


GENERAL NOTES:

1. ALL DIMENSIONS ARE IN INCHES (MM)
2. SUPPLY STOP VALVE NOT PROVIDED

* Valve specifications:
Minimum/Maximum Pressure
30 to 100 psi.

Economy Outdoor Pedestal Drinking Fountain



NOTES:

1. REAR ACCESS PANEL
2. BOTTOM ACCESS PANEL
3. DRINKING FOUNTAIN PUSHBUTTON
4. DRINKING BUBBLER
5. SIDE ACCESS PANEL WITH CYLINDER LOCK
6. INSTALLER PROVIDED FLOOR ANCHORS AND ANCHORING HARDWARE
7. OPTIONAL -F FOOT OPERATED BUTTON ASSEMBLY
8. 1-1/4" O.D. WASTE TUBE, BY OTHERS

