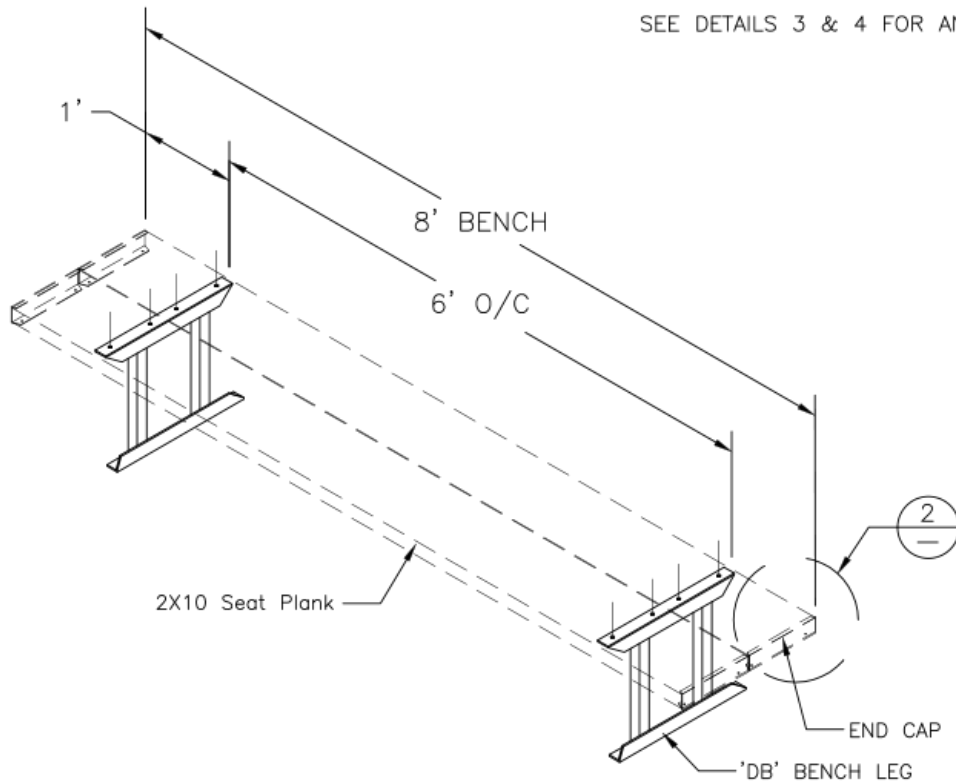
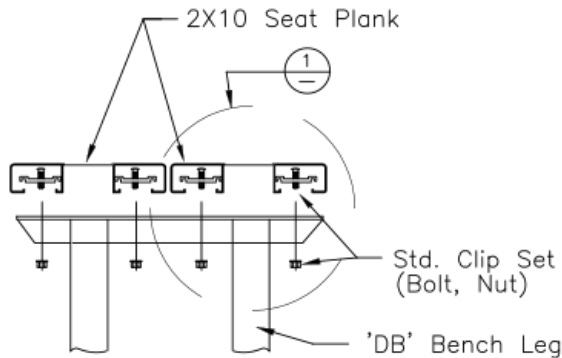


SEE DETAILS 3 & 4 FOR ANCHORING OPTIONS



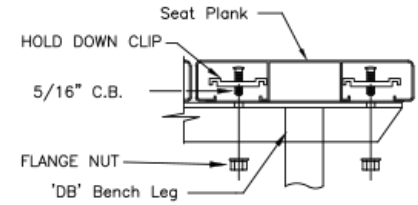
ISOMETRIC VIEW OF BENCH ASSEMBLY

Note: Seat Plank Shown Dotted for Clarity



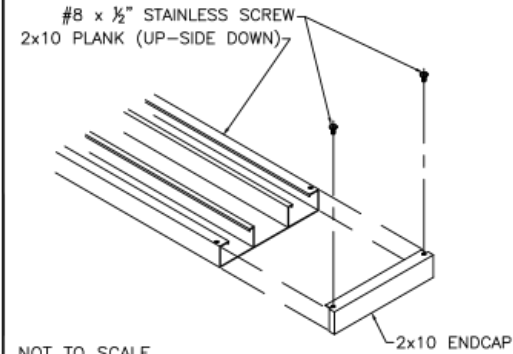
SIDE VIEW OF BENCH ASSEMBLY

③ TYP 2x10 PLANK ATTACHMENT



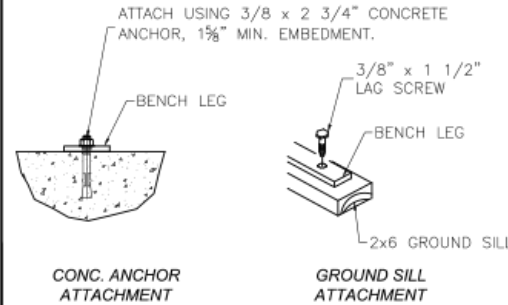
NOT TO SCALE

④ TYP 2x10 ENDCAP ATTACHMENT



NOT TO SCALE

④ TYP ANCHORING DETAIL



NOT TO SCALE

⑤ RUBBER FOOT PAD ATTACH. DETAIL

