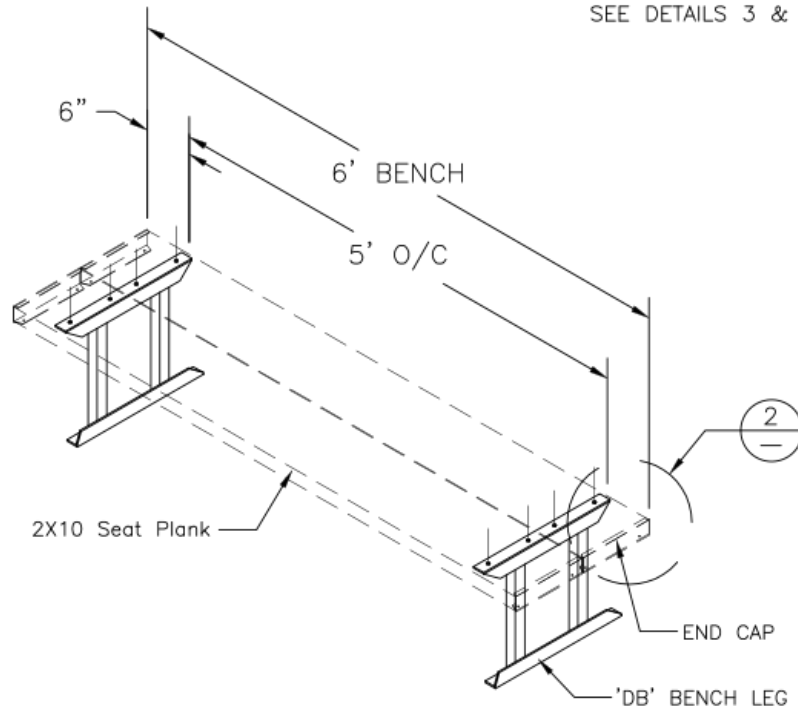
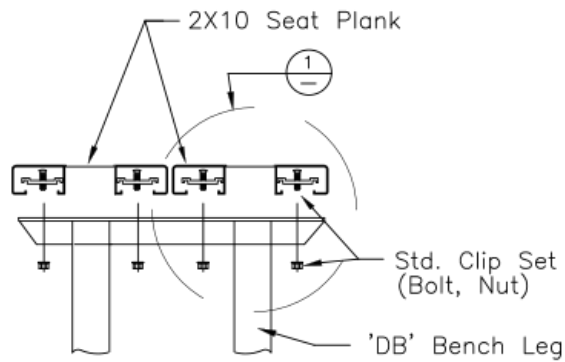


SEE DETAILS 3 & 4 FOR ANCHORING OPTIONS



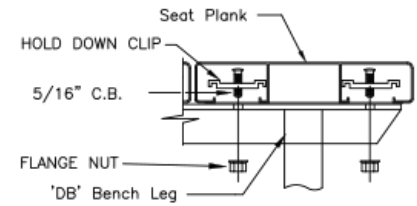
ISOMETRIC VIEW OF BENCH ASSEMBLY

Note: Seat Plank Shown Dotted for Clarity

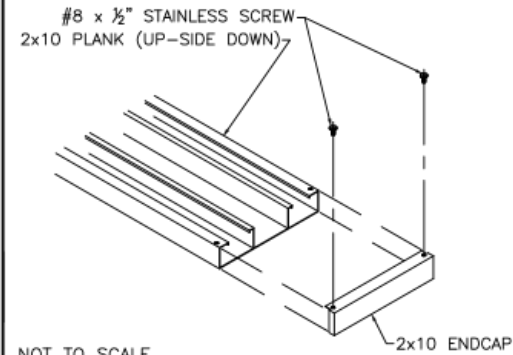


SIDE VIEW OF BENCH ASSEMBLY

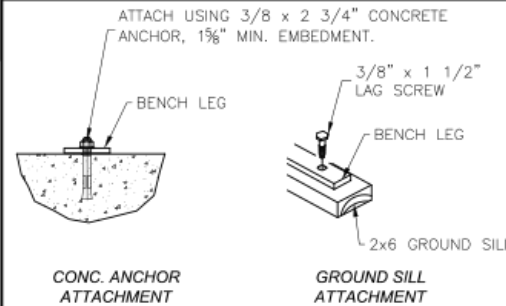
TYP 2x10 PLANK ATTACHMENT



TYP 2x10 ENDCAP ATTACHMENT



TYP ANCHORING DETAIL



RUBBER FOOT PAD ATTACH. DETAIL

