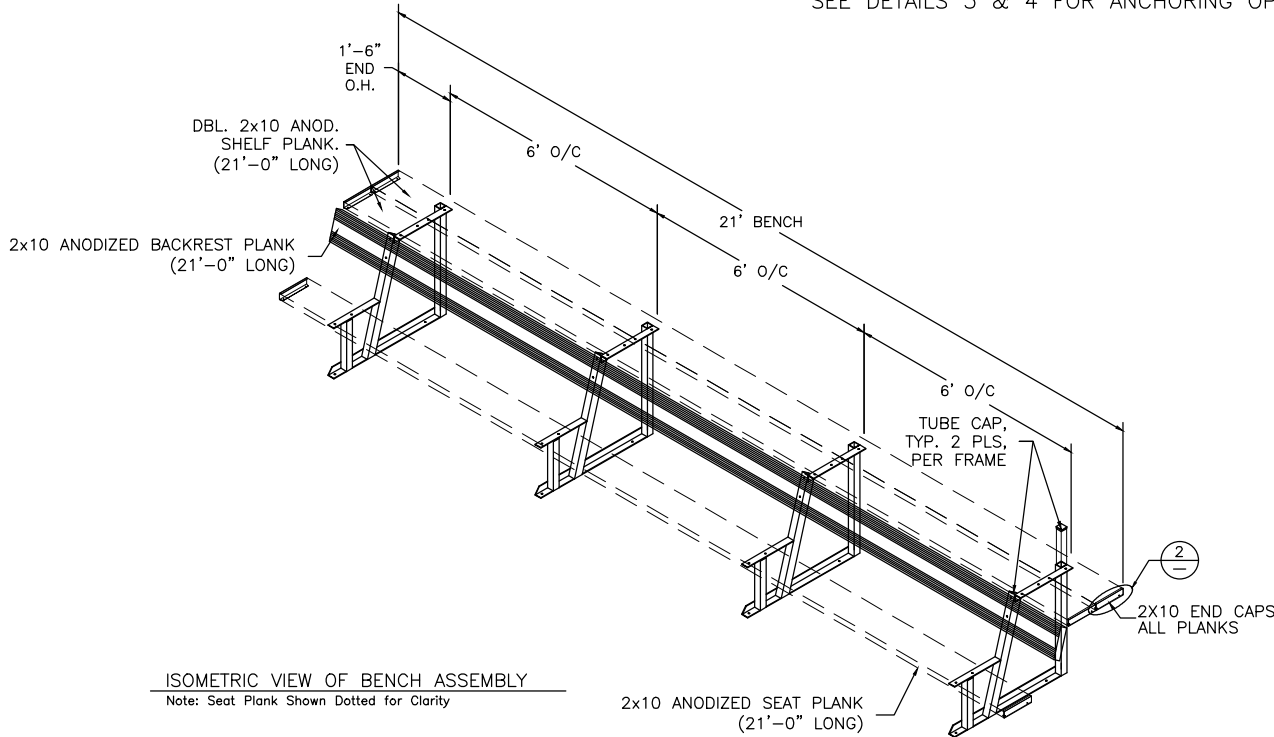
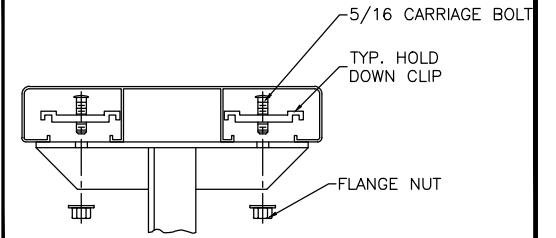


SEE DETAILS 3 & 4 FOR ANCHORING OPTIONS



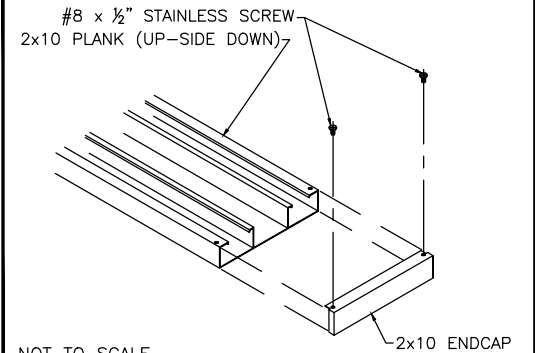
ISOMETRIC VIEW OF BENCH ASSEMBLY  
 Note: Seat Plank Shown Dotted for Clarity

⊕ TYP 2x10 PLANK ATTACHMENT



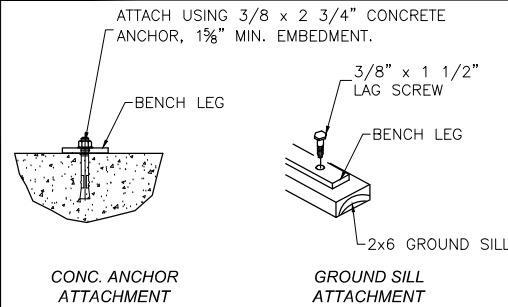
NOT TO SCALE

⊕ TYP 2x10 ENDCAP ATTACHMENT



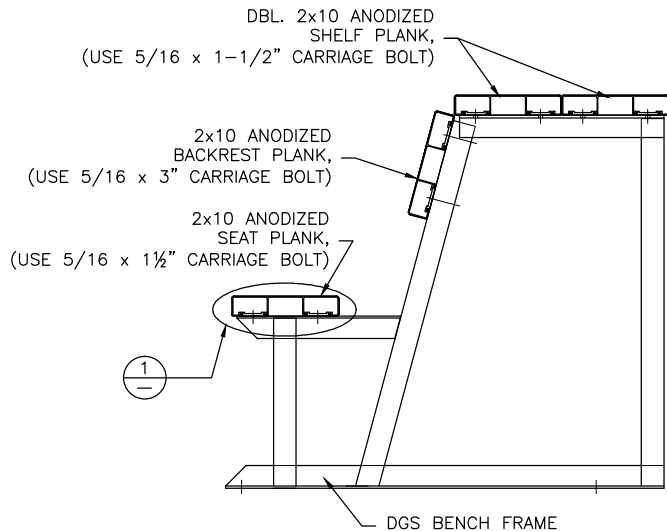
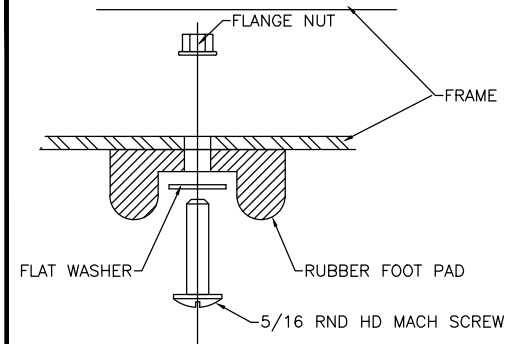
NOT TO SCALE

④ TYP ANCHORING DETAIL



NOT TO SCALE

⊕ RUBBER FOOT PAD ATTACH. DETAIL



SIDE VIEW OF BENCH ASSEMBLY

**National Recreation Systems, Inc.**

P.O. BOX 11487 FORT WAYNE, IN 46858-1487

|           |              |                 |
|-----------|--------------|-----------------|
| SCALE:    | APPROVED BY: | DRAWN BY:       |
| DATE:     |              |                 |
| TITLE:    |              |                 |
| CUSTOMER: |              | DRAWING NUMBER: |