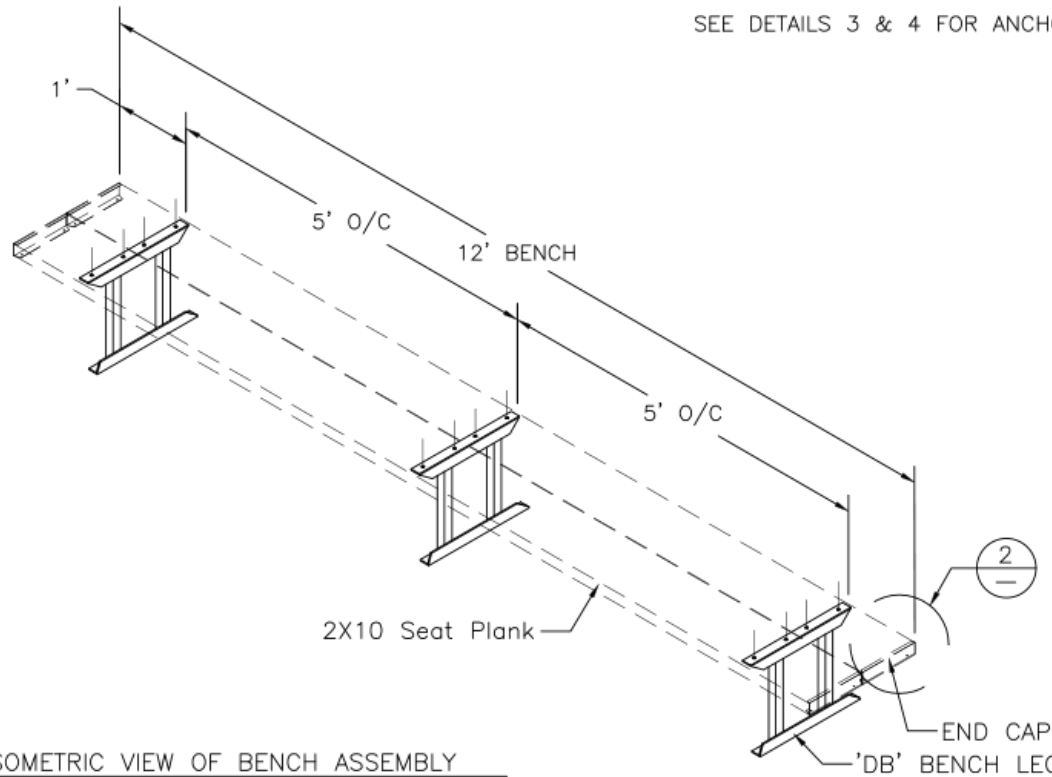
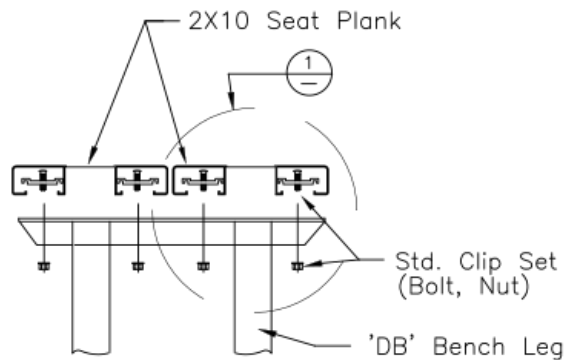


SEE DETAILS 3 & 4 FOR ANCHORING OPTIONS



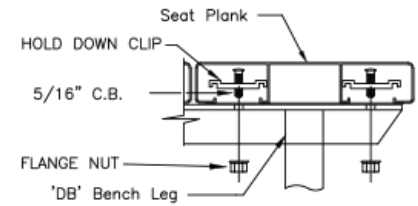
ISOMETRIC VIEW OF BENCH ASSEMBLY

Note: Seat Plank Shown Dotted for Clarity



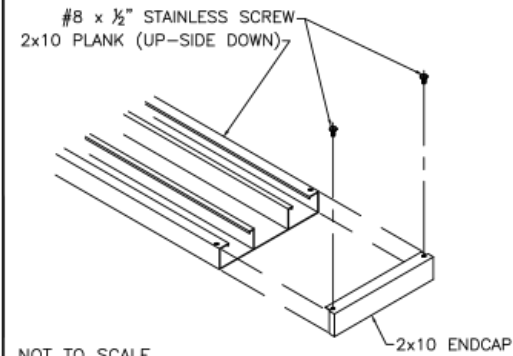
SIDE VIEW OF BENCH ASSEMBLY

TYP 2x10 PLANK ATTACHMENT



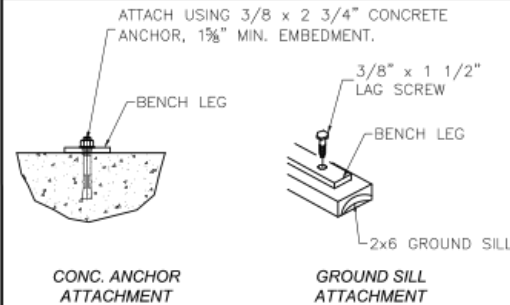
NOT TO SCALE

TYP 2x10 ENDCAP ATTACHMENT



NOT TO SCALE

TYP ANCHORING DETAIL



NOT TO SCALF

RUBBER FOOT PAD ATTACH. DETAIL

