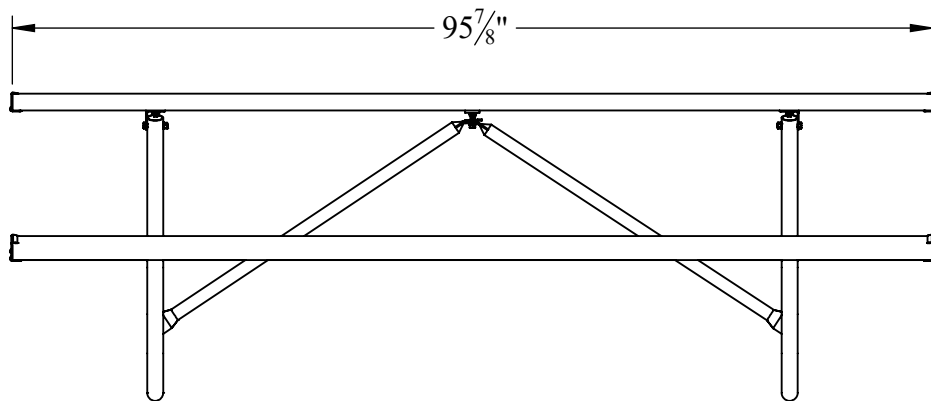
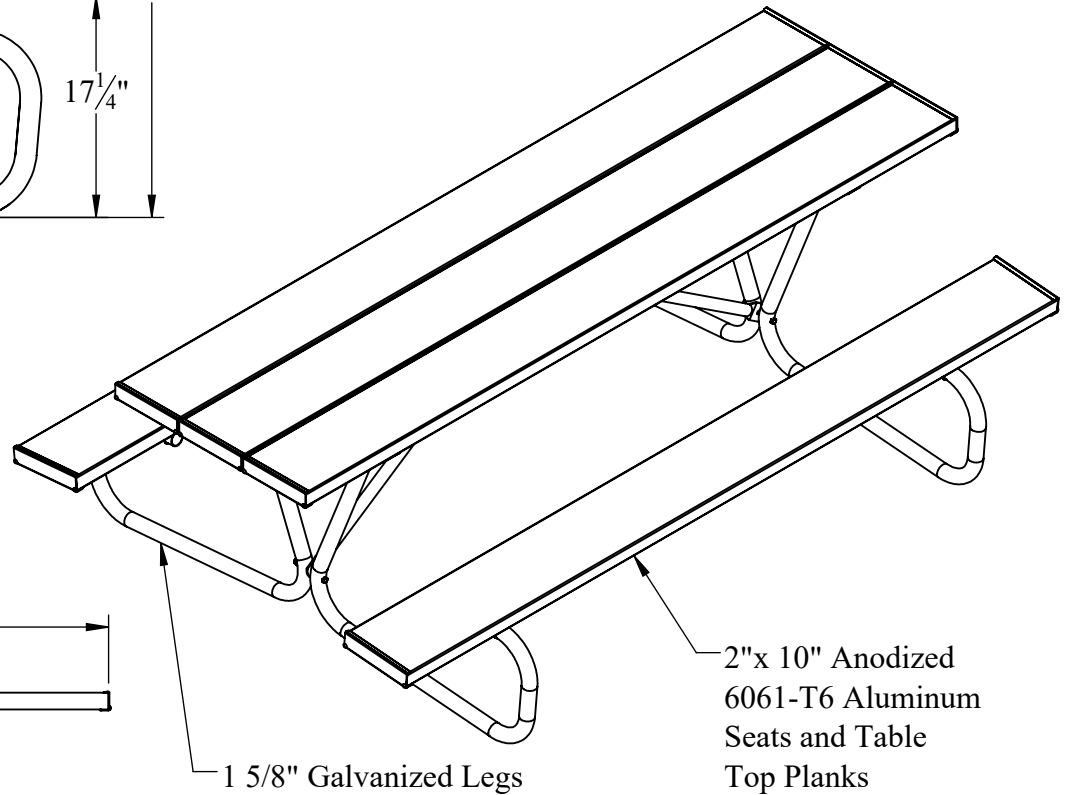
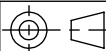


TABLE RESTS ON OUTSIDE 4 CORNERSTO PREVENT ROCKING ON UN-EVEN GROUND



GENERAL NOTES

DIMENSIONS ARE IN INCHES
TOLERANCES: LINEAR: ± 1/16
ANGULAR: ± 1°



SHEET SIZE

A

SCALE

1:20

REV

CONFIDENTIAL DRAWING.
INFORMATION IS NOT TO BE COPIED OR
DISCLOSED TO OTHERS WITHOUT
CONSENT OF KAY INDUSTRIES.
SPECIFICATIONS SUBJECT TO CHANGE
WITHOUT NOTICE.

DRAWN BY

JNB

2/1/2016

DESC: 8' TABLE W/ ALUM. PLANKS

APPROVED

MATL:

LAST SAVED

johnb

7/25/2017

PART NO: