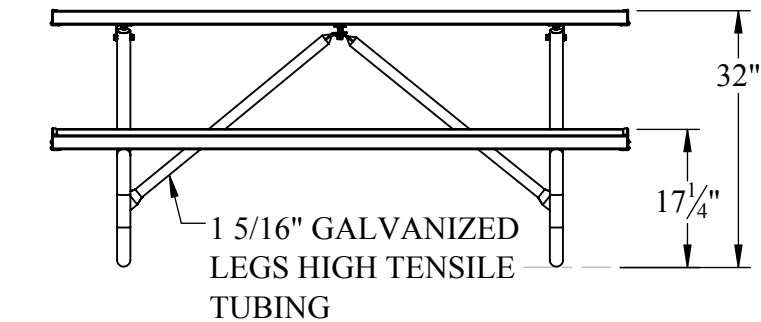
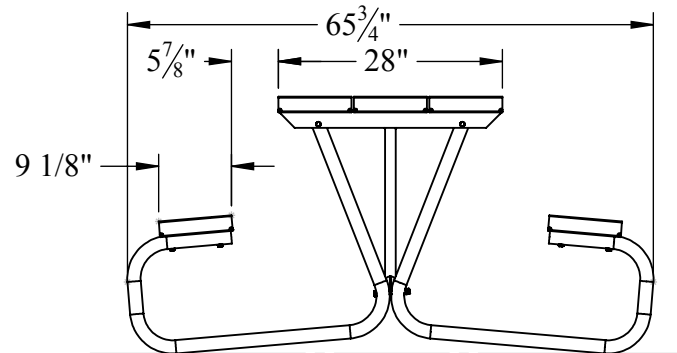


1 5/8" GALVANIZED
LEGS HIGH TENSILE
TUBING

2"x 10" ANODIZED
6061-T6 ALUMINUM
SEATS AND TABLE
TOP PLANKS.



1 5/16" GALVANIZED
LEGS HIGH TENSILE
TUBING



GENERAL NOTES:

Confidential Drawing and Information
is Not to be Copied or Disclosed to Others
Without the Consent of Kay Industries.
Specifications Are Subject to Change
Without Notice.

UNLESS OTHERWISE SPECIFIED:

DIMENSIONS ARE IN INCHES
TOLERANCES:
FRACTIONAL ± 1/32
BEND ± 1/2°
THREE PLACE DECIMAL ± .005

DO NOT SCALE DRAWING

MATERIAL

NAME

DATE



DRAWN

DAT

1/29/2016

TITLE:

CHECKED

ENG APPR.

MFG APPR.

DESC. **6 FT ALUMINUM TABLE GALVANIZED**

LAST SAVED

1/29/2016 12:32:26 PM

S:\CADDRWGS\Solidworks\Tables\BG\

COMMENTS:

SIZE

PART NO.

REV

A