

# Installer's Reference

UC-12-397-R0-012621



NO.	ITEMS NAME	PICT	COLOR	QTYS		PKGS
1	Tunnel Support		Tan	2	PCS	6
2	Tunnel		Green or Blue	1	PC	
3	Post		Tan	1	PC	
4	Post		Tan	1	PC	
5	Post		Tan	1	PC	
6	Post		Tan	1	PC	
1		TAMPER RESISTANT TORX BOLT M8X50		14	PCS	1
2		FLAT WASHER M8		14	PCS	
3		LOCK NUT M8		14	PCS	
4		TAMPER RESISTANT TORX BOLT M10X20		4	PCS	
5		BARREL LOCK NUT M10		4	PCS	

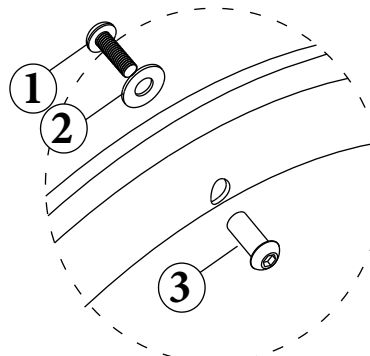
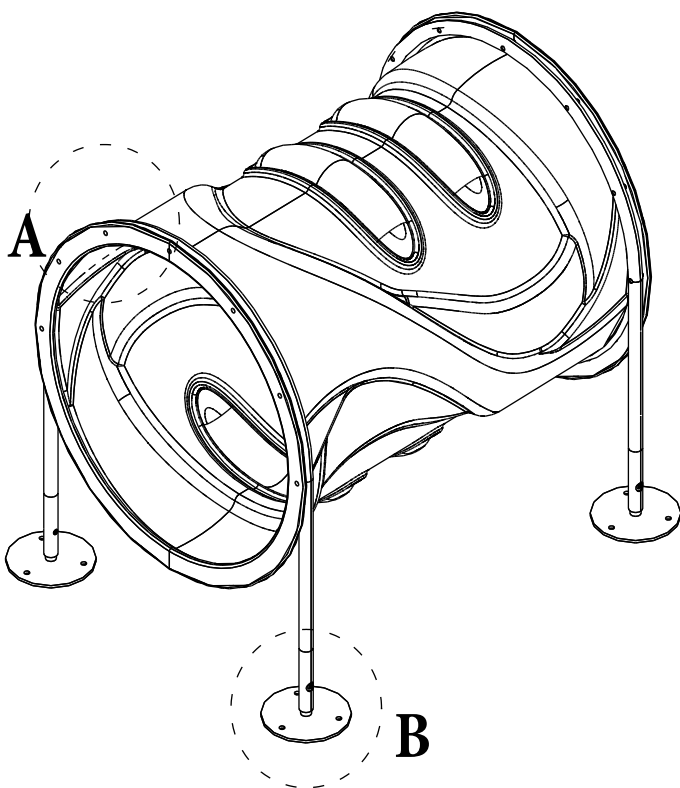
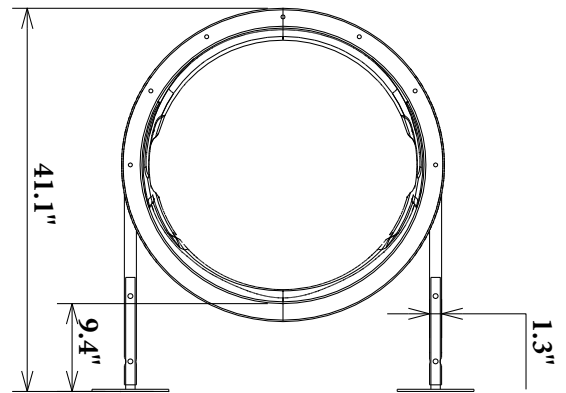
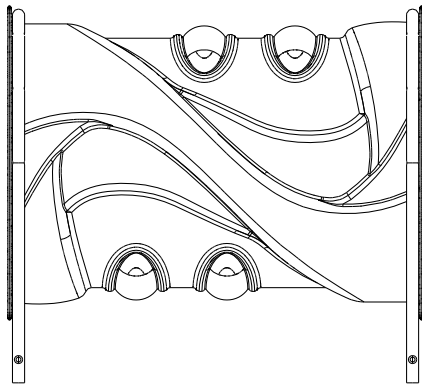
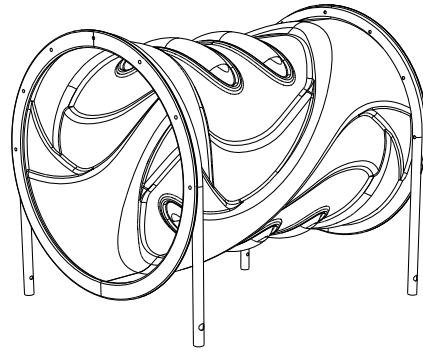
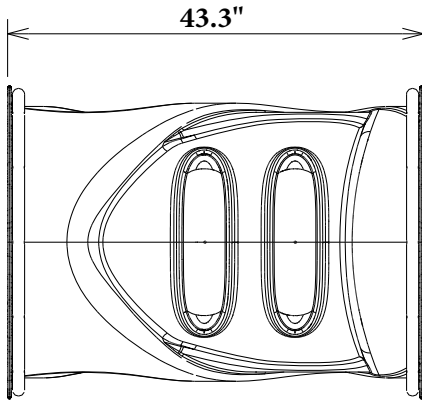
## Tunnel Run

### Know What's Below

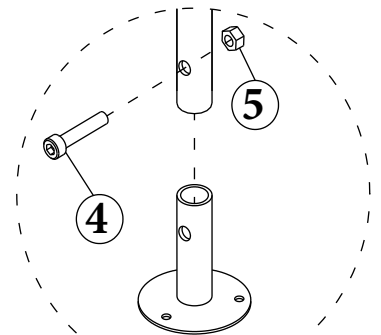
As with all projects involving digging, start by knowing what is in the ground below. Underground utilities may include cable, electric, sprinklers, sewer, water, telecommunications, drainage pipes and sprinklers. You can usually accomplish this with one phone call (Dial 811) to your state's underground utility service.

### Conduct an Inventory

Begin installation with of hardware and parts, assuring everything you need is onsite when you begin.



**A**



**B**

**A**

1. TAMPER RESISTANT TORX BOLT, M8X50 (14)
2. FLAT WASHER, M8 (14)
3. LOCK NUT, M8 (14)

**B**

4. TAMPER RESISTANT TORX BOLT, M10X20 (4)
5. BARREL LOCK NUT, M10 (4)