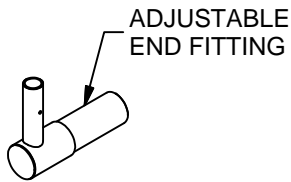


FBGP-720 / FBGP-720C

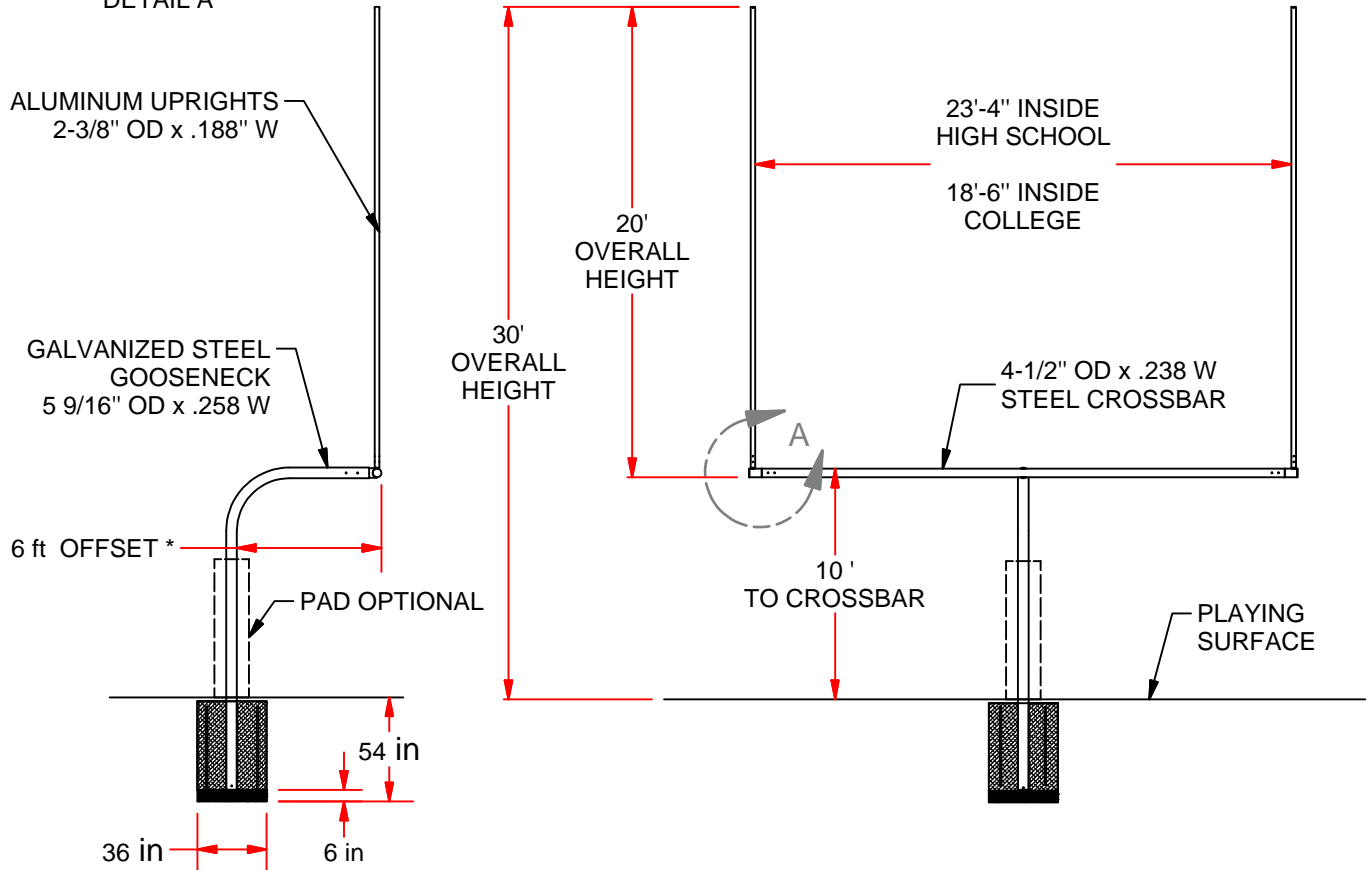
6 ft Offset Steel Football Goal Post for Semi-Permanent and Permanent Installation



DETAIL A

HIGH SCHOOL:
FBGP-720 (WHITE)
FBGP-720YW (YELLOW)

COLLEGE:
FBGP-720C (WHITE)
FBGP-720CYW (YELLOW)



INSTALLATION OPTIONS:

- PERMANENT (SHOWN)
- SEMI-PERMANENT GROUND SLEEVE (FBSLV6)
- SEMI-PERMANENT GROUND SLEEVE WITH HEIGHT ADJUSTER (FBGPGS-6)

FEATURES:

- MEETS NFHS AND NCAA REGULATIONS
- ALLOWS FOR PRECISE LEVELING OF CROSSBAR AND PLUMBING OF UPRIGHTS
- ZINC PRIMED WITH STANDARD YELLOW OR WHITE POWDER COATED FINISH

OPTIONAL ACCESSORIES:

- NEON YELLOW (PNT-1NY)
- SAFETY PADDING (PPP-700)
- WIND STREAMERS (WS-42)
- ACCESS FRAME (FBGPAF-1)
- SOCCER GOAL ANCHOR KIT (SFGA-5)

NOT TO BE USED FOR INSTALLATION