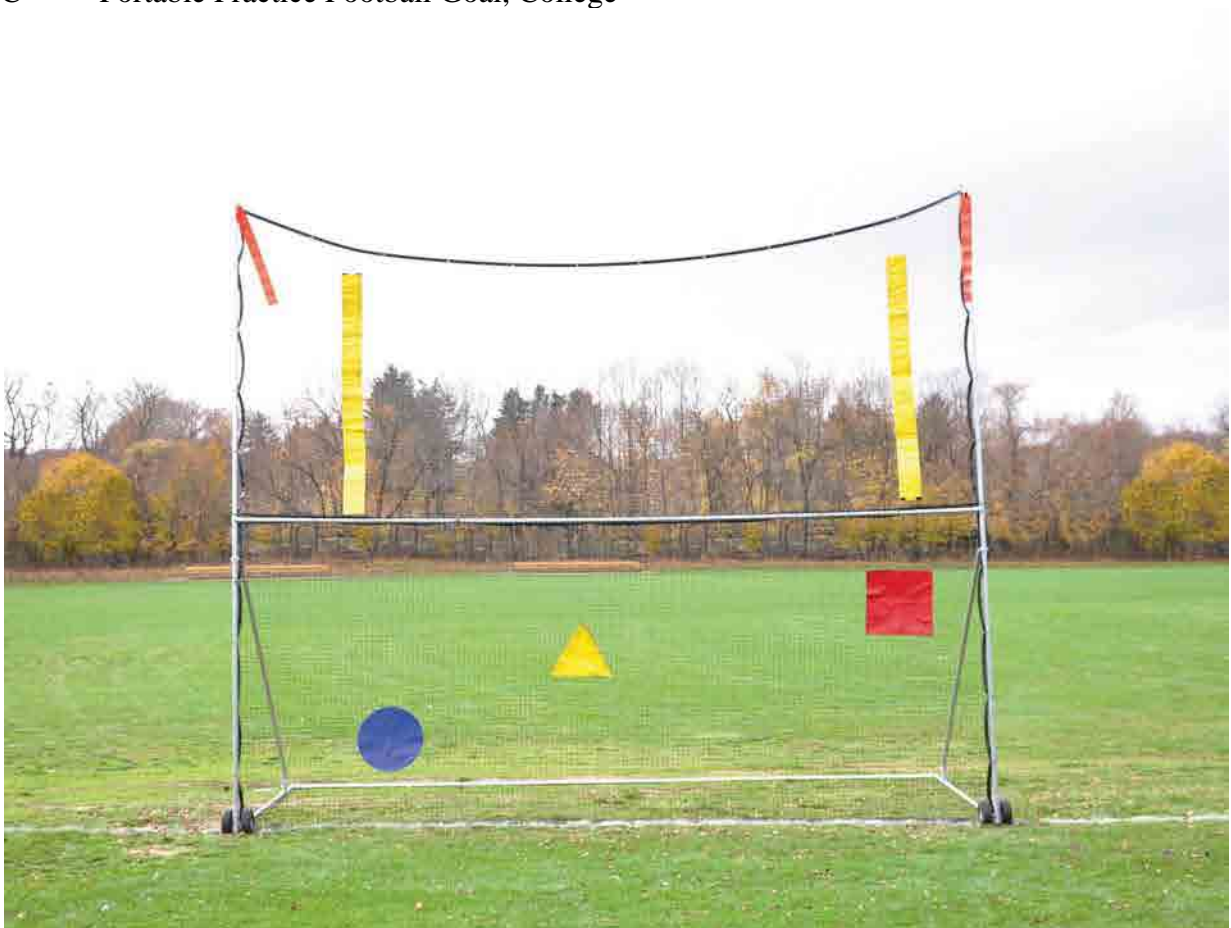


--- PPG-4HS / PPG-4C ---
PORTABLE PRACTICE FOOTBALL GOAL POST
Installation Instructions

PPG-4HS → Portable Practice Football Goal, High School
PPG-4C → Portable Practice Football Goal, College



PORTABLE PRACTICE FOOTBALL / SOCCER COMBO GOAL

IMPORTANT NOTICE:

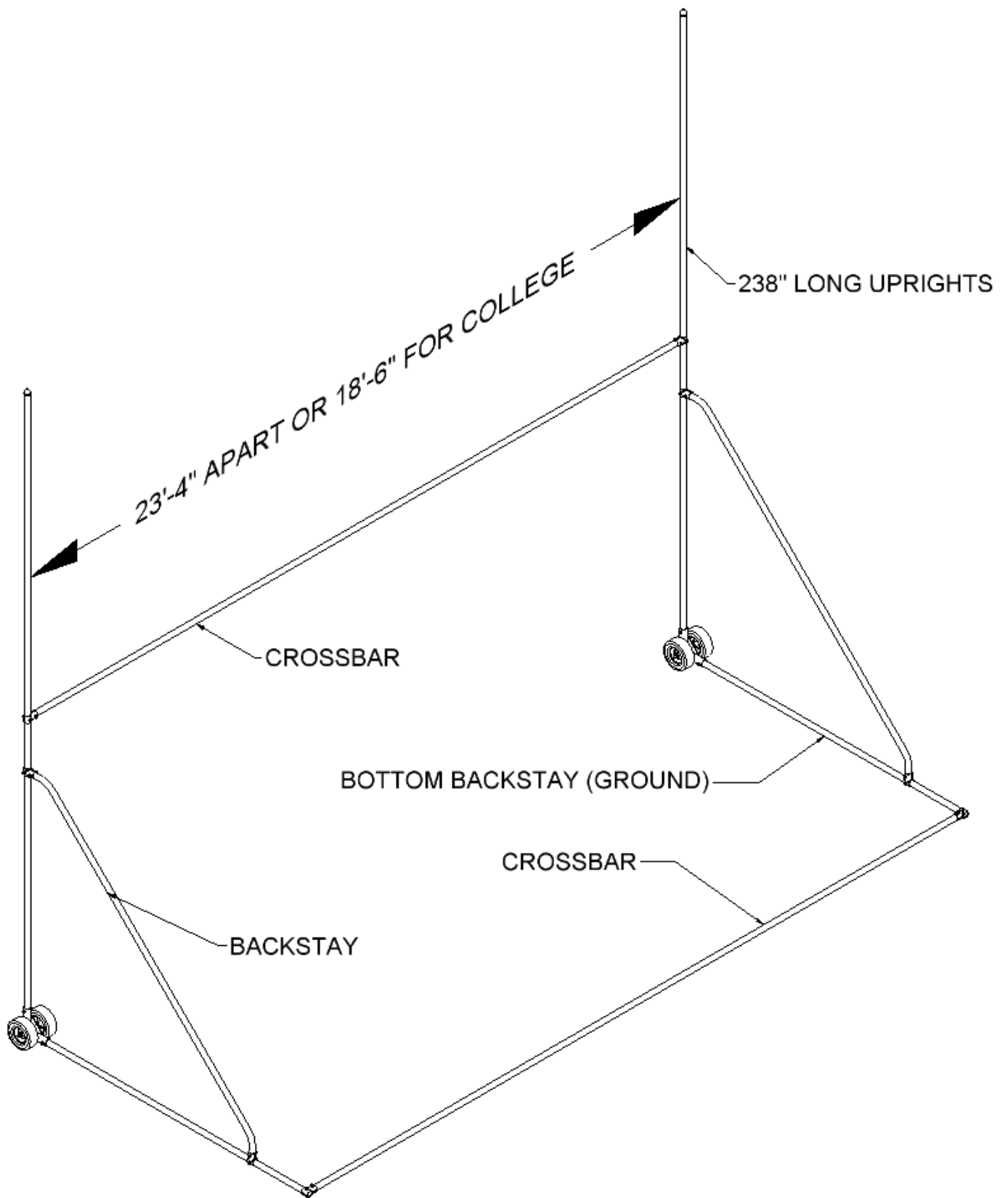
- 1) BEFORE EACH USE CHECK EQUIPMENT FOR PROPER CONNECTING HARDWARE AND STRUCTURAL INTEGRITY. REPLACE DAMAGED OR MISSING HARDWARE IMMEDIATELY.
- 2) NEVER ALLOW ANYONE TO CLIMB OR HANG ON THE NET OR GOAL FRAME. AS SERIOUS INJURY OR DAMAGE TO THE EQUIPMENT MAY OCCUR.
- 3) USE OF THIS EQUIPMENT OTHER THAN INTENDED, MAY BE HAZARDOUS.
- 4) ALTERATION OR MODIFICATION OF THIS EQUIPMENT MAY BE HAZARDOUS AND RESULT IN INJURY.

ASSEMBLY INSTRUCTIONS

TOOLS REQUIRED:

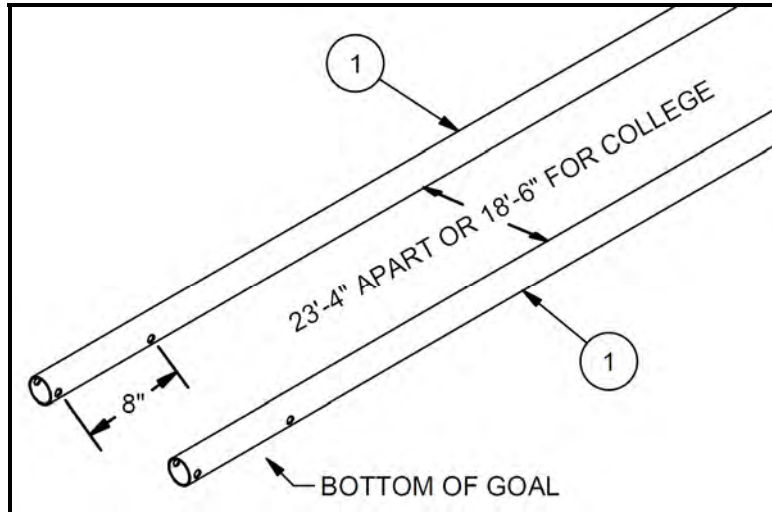
- 1) Socket set for 3/4" & 15/16" Hex Bolts and/or Crescent Wrench
 - 1) Electric Drill with 1/4" Socket Bit or Driver
 - 1) Hammer or Rubber Mallet
 - 1) Stepladder or Staging (Scaffold)
 - 1) 25' (Minimum) Tape Measure
- Unpack all parts and check against parts list to ensure that all have been included.
 - Identify all frame components and lay them out on a flat dry surface.
 - Inspect all parts for damage. Report any damages to the trucking company.

ITEM	DESCRIPTION	PPG-4HS	PPG-4C
1	238" LONG UPRIGHTS	2	2
2	23'-4" CROSSBARS (HIGH SCHOOL FOOTBALL GOAL)	2	N/A
3	18'-6" CROSSBARS (COLLEGE SCHOOL FOOTBALL GOAL)	N/A	2
4	BOTTOM BACKSTAYS (GROUND)	2	2
5	BACKSTAYS (SUPPORT BRACES)	2	2
6	WHEEL FRAME CORNER WELDMENT	2	2
7	1.90" PIPE CLAMP "T" FITTING	16	16
8	1/2"-13 STOVER LOCK NUT, ZP	24	24
9	1/2" FLAT WASHERS, ZP	24	24
10	1/2"-13 x 3" HEX HEAD BOLT, ZP	24	24
11	ALUMINUM END CAP	2	2
12	PLASTIC END PLUG	2	2
13	10" WHEEL	4	4
14	5/8" FLAT WASHER, ZP	4	4
15	5/8"-11 LOCK NUT, ZP	2	2
16	5/8"-11 x 10" HEX HEAD BOLT, ZP	2	2
17	7/8" O.D. x 5/8" I.D. x 1" BRONZE BUSHING	4	4
18	#8 x 3/4" HEX HEAD FLANGE SELF-DRILL SCREW, ZP	4	4
19	TRAINING NET (OPTIONAL IF PURCHASE)	1	1
20	WIND STREAMERS (OPTIONAL IF PURCHASE)	2	2
21	3/4" WIDE WHITE ONE WRAP x 4 YD (IF PURCHASE)	1	1
22	MOVEABLE TARGET (IF PURCHASE PPG-3TG OR PPG-2UTG)	PER ORDER	PER ORDER
		QTY: EACH UNIT	

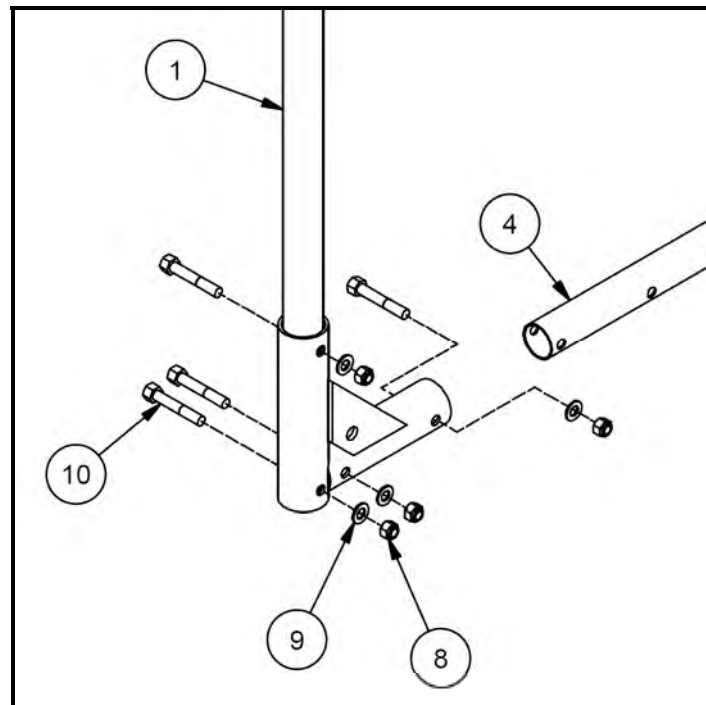


Overall View

1. Place the uprights on ground, parallel to each other, 23'-4" apart (18'-6" for college). Ends of pipes with two holes spaced 8" apart are going to be at the bottom of goal.

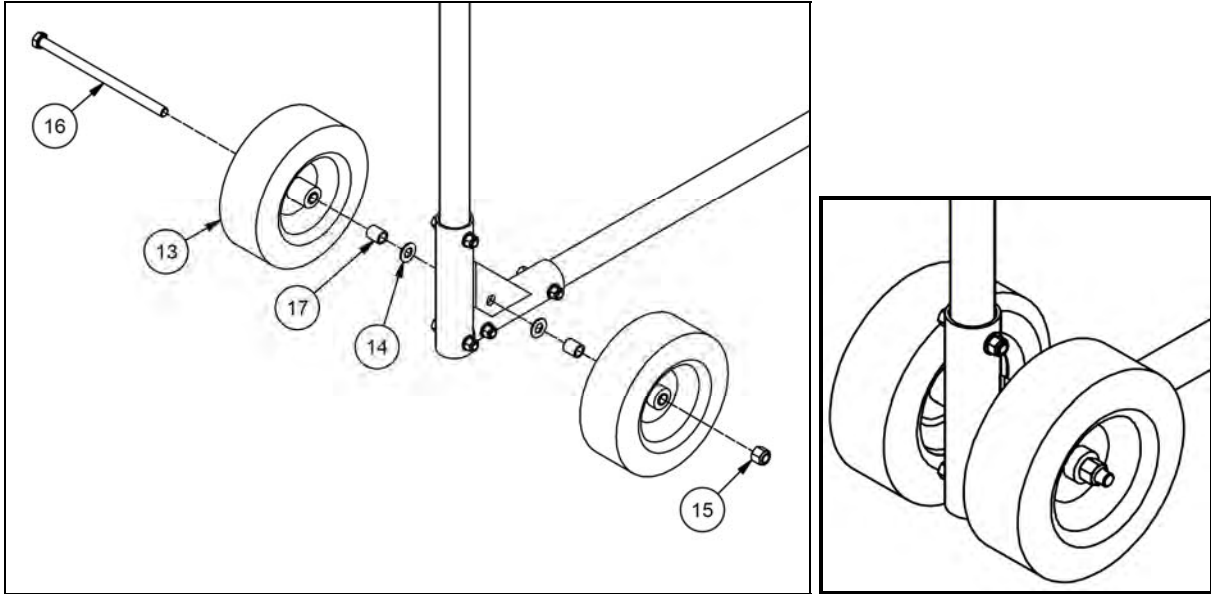


2. Aluminum pipe caps should be assembled onto top of pipes at this time. Use hammer or mallet to seat onto pipe and drill #8 x 3/4" screw on opposite sides to secure cap in place.
3. Insert ends of uprights into the wheel assembly weldments and assemble hex bolts, washers, and nuts as shown below, tighten nuts fully. Note that wheel assembly has two sections, one for the uprights with holes spaced 8" apart – the other for the bottom backstays with holes spaced 6" apart.

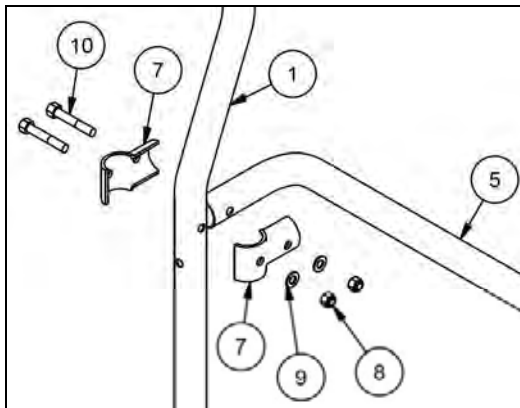


4. Insert bottom backstay pipes into wheel assembly weldment. Assemble hex bolts, washers and nuts as shown above, tighten nuts fully. Allow these pipes to lay on the ground as they are being assemble.

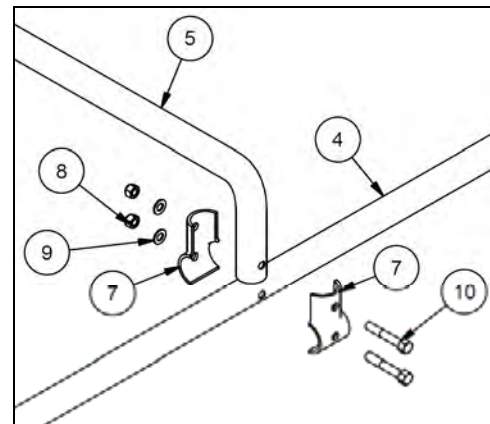
5. Assemble wheels onto corner brackets as shown below. Make sure wheels turn freely and do not rub against bolts.



6. Assemble backstays (support braces) onto frame halves using 1.90 pipe clamps. Assembly details are shown below, tighten nuts fully.

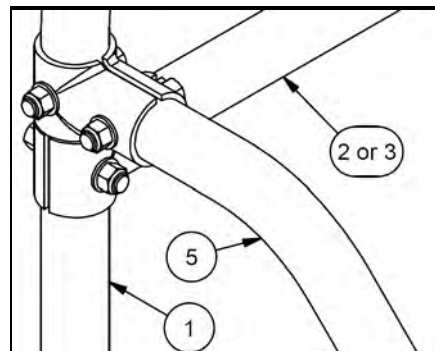


Top of backstay

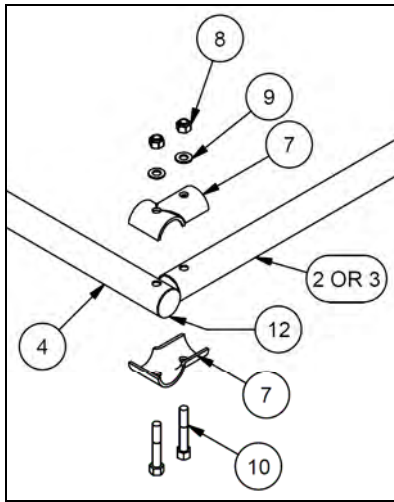


Bottom of backstay

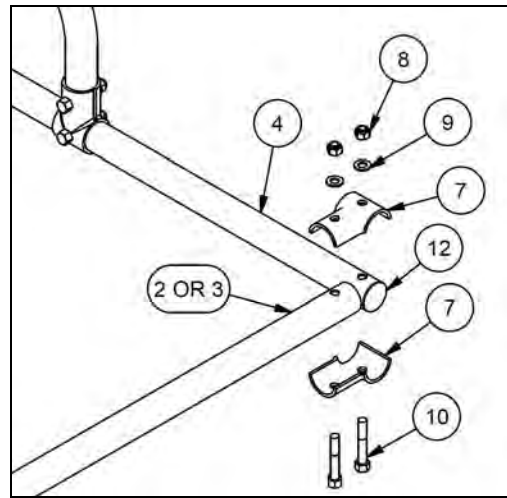
7. Assemble 1.90 pipe clamps onto uprights where crossbar(s) will be located. Leave these nuts somewhat loose for now.
8. Rotate side frames so backstay becomes vertical, and assemble crossbar(s) into pipe clamps on uprights. Assembly details are shown below, tighten nuts fully.



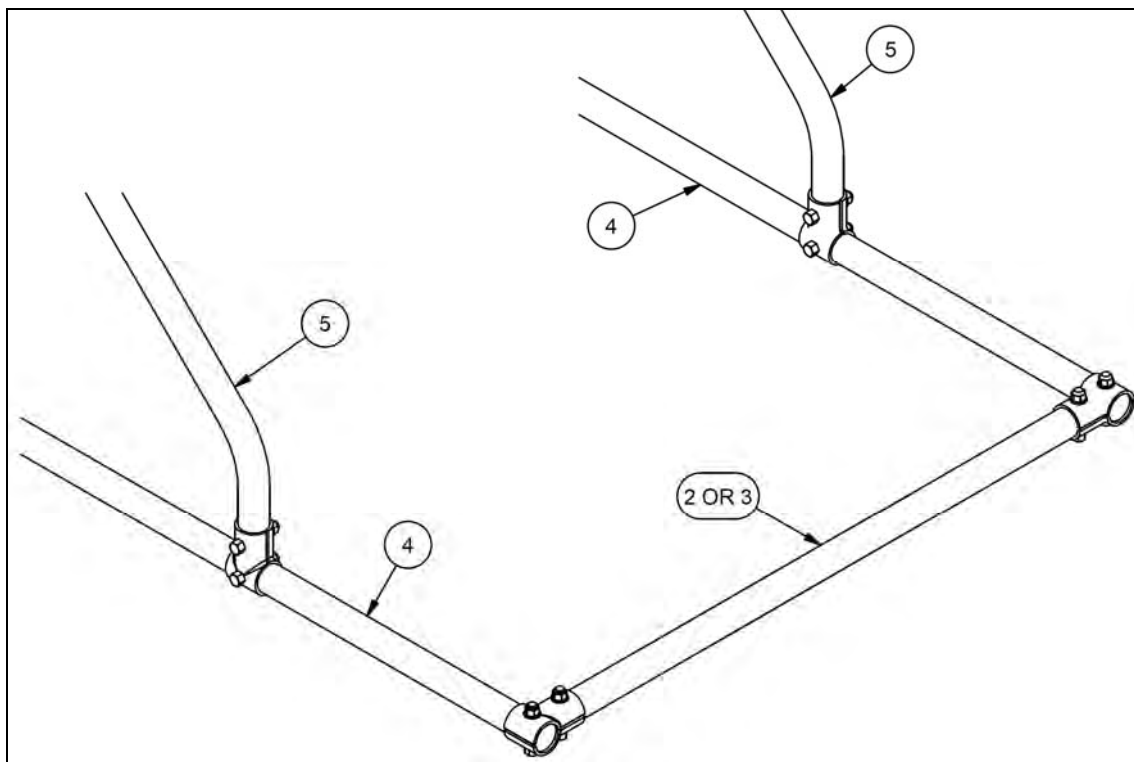
9. Assemble bottom crossbar onto bottom backstay pipes using pipe clamps. Since this rear crossbar is the same length as the football goal crossbar, the pipe clamps should be in the same orientation for both.
10. Insert plastic pipe caps into bottom backstay pipes. This will help prevent water intrusion into frame.



Bottom left side crossbar



Bottom right side crossbar



Bottom crossbar fully assemble

Install Training net: (Net sold separately)

1. Locate the upper corner of the net. Cut the 3/4" wide white one wrap x 4 yard into 9" lengths. Then warp the 9" lengths of net tie along the crossbar. Secure the front edge of the net to the pipe