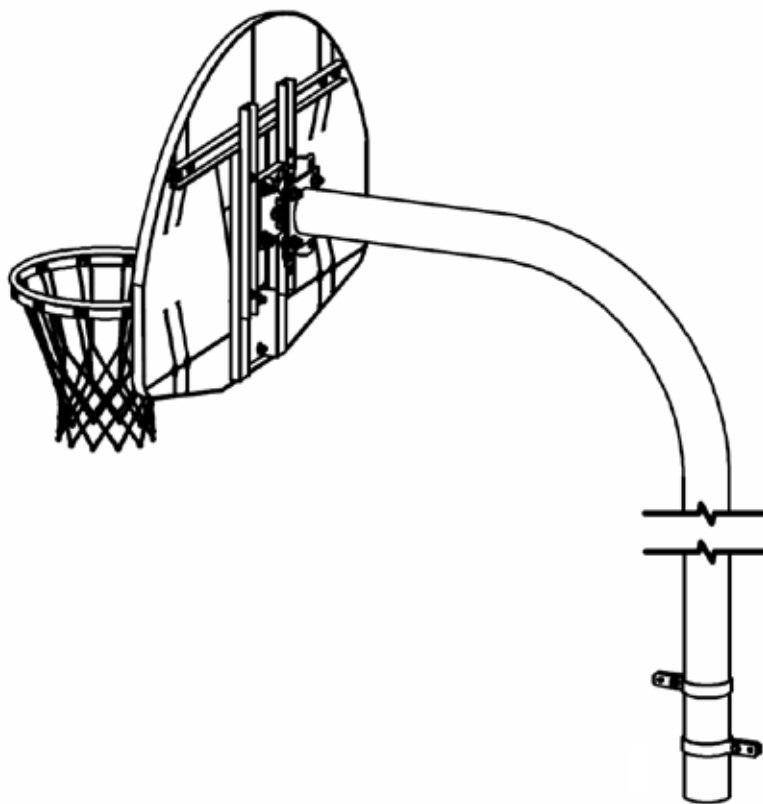


-- UAG-FA --
(WITH THE HOOP REJUVENATOR™)
Installation Instructions



UAG-FA (FAN ALUMINUM BACKBOARD)

IMPORTANT NOTICE:

- 1) INSPECT FOR DAMAGE. REPORT ALL DAMAGES TO TRUCKING COMPANY.
- 2) BEFORE EACH USE CHECK EQUIPMENT FOR PROPER CONNECTING HARDWARE AND STRUCTURAL INTEGRITY. REPLACE DAMAGED OR MISSING HARDWARE IMMEDIATELY.
- 3) USE OF THIS EQUIPMENT OTHER THAN INTENDED, MAY BE HAZARDOUS.
- 4) ALTERATION OR MODIFICATION OF THIS EQUIPMENT MAY BE HAZARDOUS AND RESULT IN INJURY.

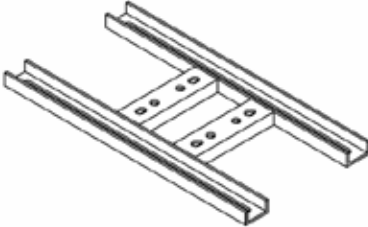
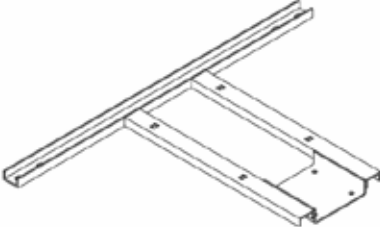
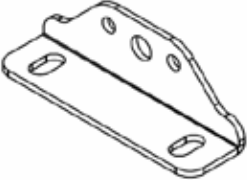
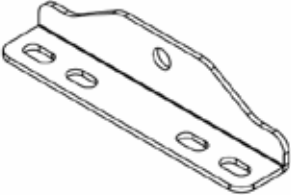

PARTS LIST SHOWN FOR ONE UNIT		
IMAGE	QTY	DESCRIPTION
	1	H-FRAME (P/N: HRKIT-FA-A)
	1	T-FRAME (P/N: HRKIT-FA-B)
	2	H-FRAME BOARD BRACKET (P/N: SR5496)
	2	H-FRAME GOOSENECK BRACKET (P/N: SR5495)
	1	UAG GOOSENECK UPRIGHT (P/N: UAG-1)
IMAGE	QTY	DESCRIPTION


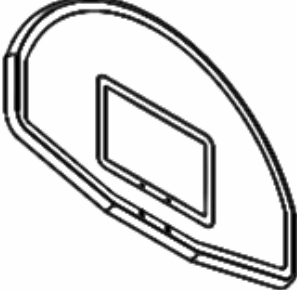

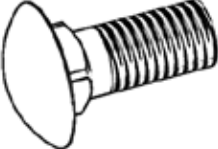




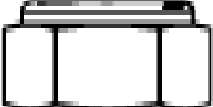









IMAGE	QTY	DESCRIPTION
	1	DOUBLE RIM ULTIMATE BREAKAWAY GOAL (P/N: UBG-500F)
	1	FAN ALUMINUM BACKBOARD W/ TARGET (P/N: ALB-24BT)
	2	4-1/2" OD BAND CLAMP (P/N: BRC45)
	4	1/2"-13 x 1-1/4" CARRIAGE BOLT, SS
	2	3/8"-16 HEX NUT, SS
	8	3/8"-16 NYLON LOCK NUT, SS
	8	1/2"-13 NYLON LOCK NUT, SS
	4	1/2"-13 HEX NUT, SS
	1	5/8"-11 NYLON LOCKNUT, SS
IMAGE	QTY	DESCRIPTION

IMAGE	QTY	DESCRIPTION
	6	3/8\"-16 x 1-1/2\" HEX BOLT, SS
	8	3/8\"-16 x 1\" HEX BOLT, SS
	1	5/8\" - 11 x 4-1/2\" HEX BOLT, SS
	8	1/2\"-13 x 1-1/2\" HEX BOLT, SS
	4	3/8\" LOCK WASHER, SS
	4	1/2\" LOCK WASHER, SS
	20	1/2\" WASHER, SS
	24	3/8\" WASHER, SS
	2	5/8\" WASHER, SS
IMAGE	QTY	DESCRIPTION

TOOLS REQUIRED:

- | | |
|---|-------------------------------|
| (1) 9/16" Socket Wrench and Box Wrench | (1) Anti-seize Compound |
| (1) 3/4" Socket Wrench and Box Wrench | (1) Scaffolding, Lull or Lift |
| (1) 15/16" Socket Wrench and Box Wrench | (1) 10 or 12 FT Step Ladder |
| (1) Level Device | (for final adjustments) |

Important Note:

- INSTALLATION OF THE HOOP REJUVENATOR SYSTEM REQUIRES THE LIFTING AND HANDLING OF SUBSTANTIAL WEIGHT, UP TO 270 LBS. SAFE INSTALLATION REQUIRES AT LEAST THREE MEN AND THE USE OF APPROPRIATE MATERIAL HANDLING EQUIPMENT SUCH AS SCAFFOLDING, A LULL OR LIFT.
- **DO NOT ATTEMPT TO ASSEMBLE THE HOOP REJUVENATOR OFF A STEP LADDER.**
- THE HOOP REJUVENATOR OFFERS THE ABILITY TO ADJUST THE HEIGHT OF THE BOARD AND PLUMB IT INDEPENDENTLY. CARE SHOULD BE TAKEN AT EACH STEP TO ENSURE THE FRAMEWORK IS SQUARE AND PLUMB.
- THIS PRODUCT USES STAINLESS STEEL HARDWARE BECAUSE OF ITS SUPERIOR RESISTANCE TO RUST AND CORROSION. STAINLESS NUTS CAN SOMETIME SEIZE ONTO THE BOLT THREADS DURING INSTALLATION OR REMOVAL. TO PREVENT THE STAINLESS HARDWARE FROM SEIZING, LIBERALLY APPLY SOME ANTI-SEIZE COMPOUND TO THE BOLT THREADS, OR SPRAY THE THREADS WITH A PENETRATING LUBRICANT , SUCH AS WD-40.

Upright Installation:

1. Check local building codes before starting the footing, as building codes may vary. Local building codes should be adhered to if requirements are greater than those outlined here.
2. Dig a hole 36 inches square or round to a depth on 54 inches, pour an 6 inch footing and allow fully curing or placing upright on two 6 inch concrete blocks.
3. Assemble the anti-rotational hardware and position and square the upright onto the footing base. Pour the remainder of the footing. Allow the concrete to fully cure, per the manufacturer's instructions (no less than 24 hrs), before attaching the H-Frame backboard and goal.

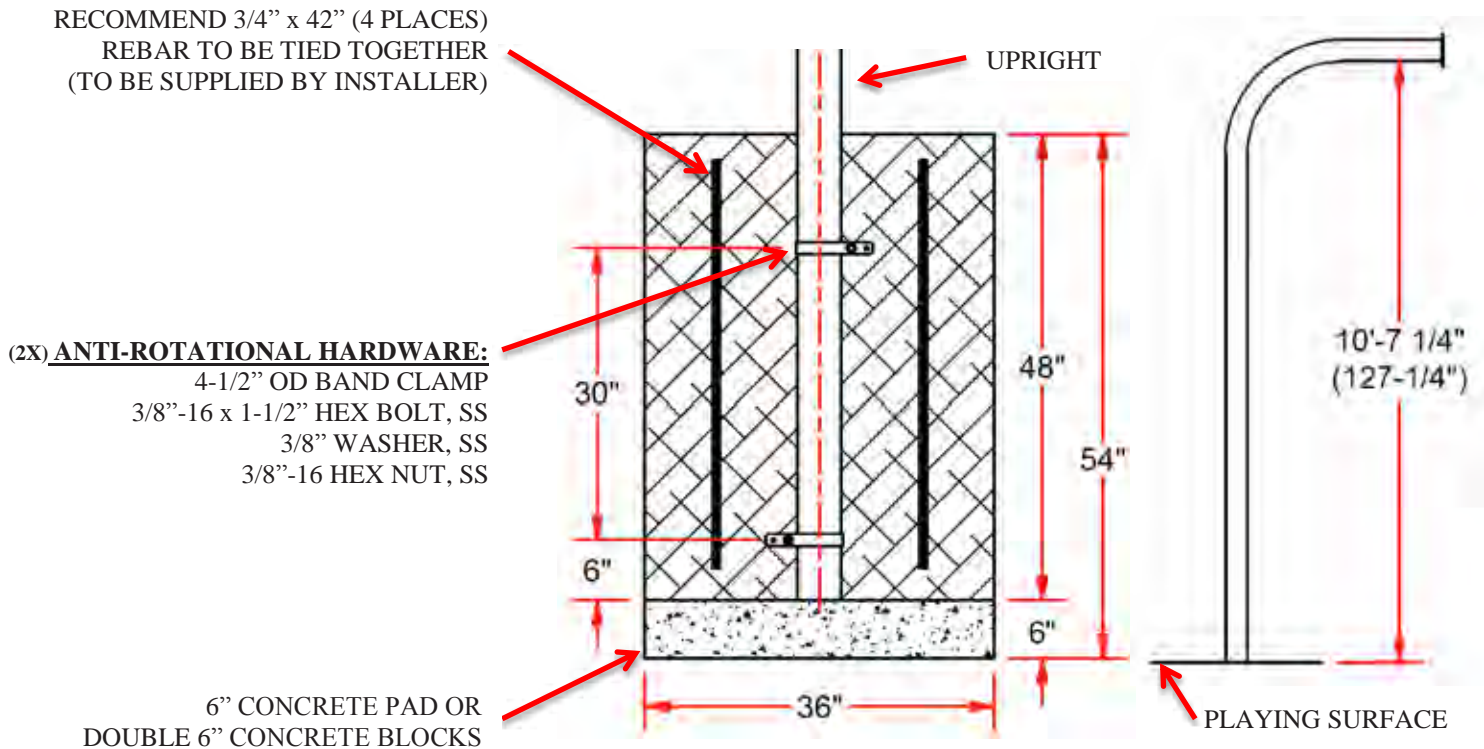


Figure 1

Upright Assembly:

1. Attach the H-Frame gooseneck bracket together (Figure 5).

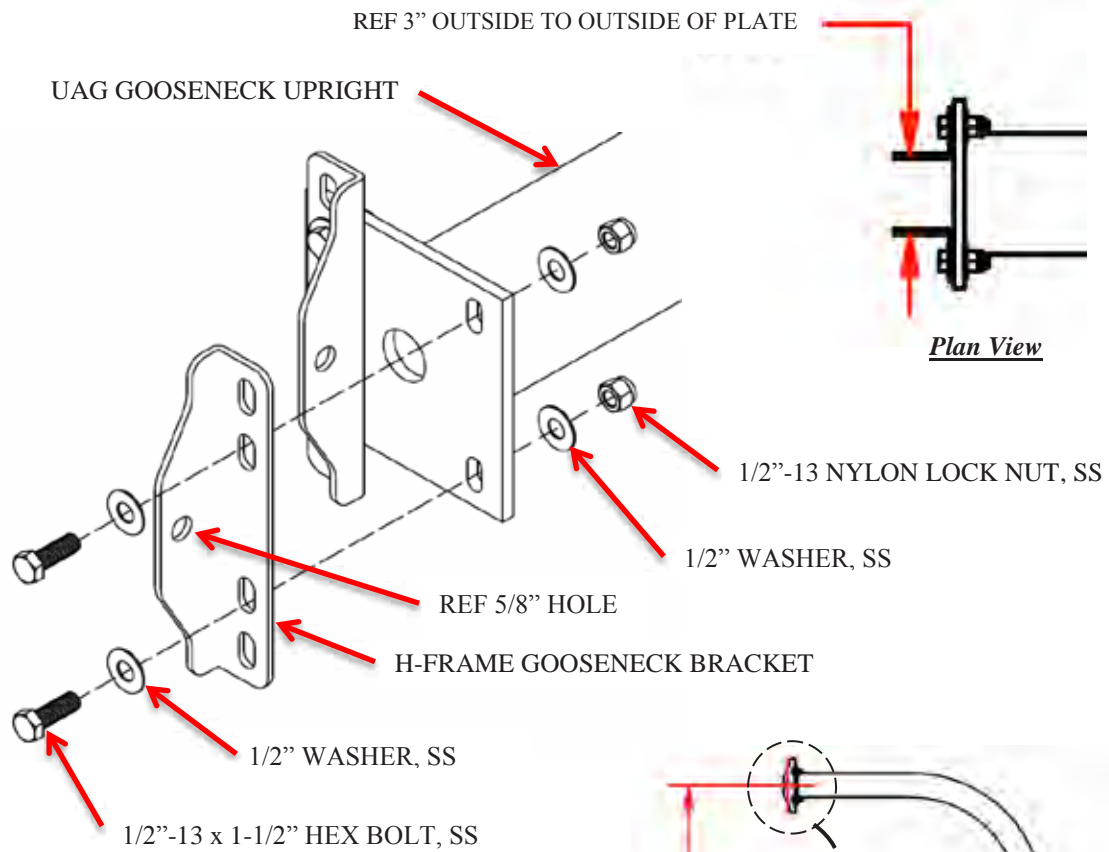
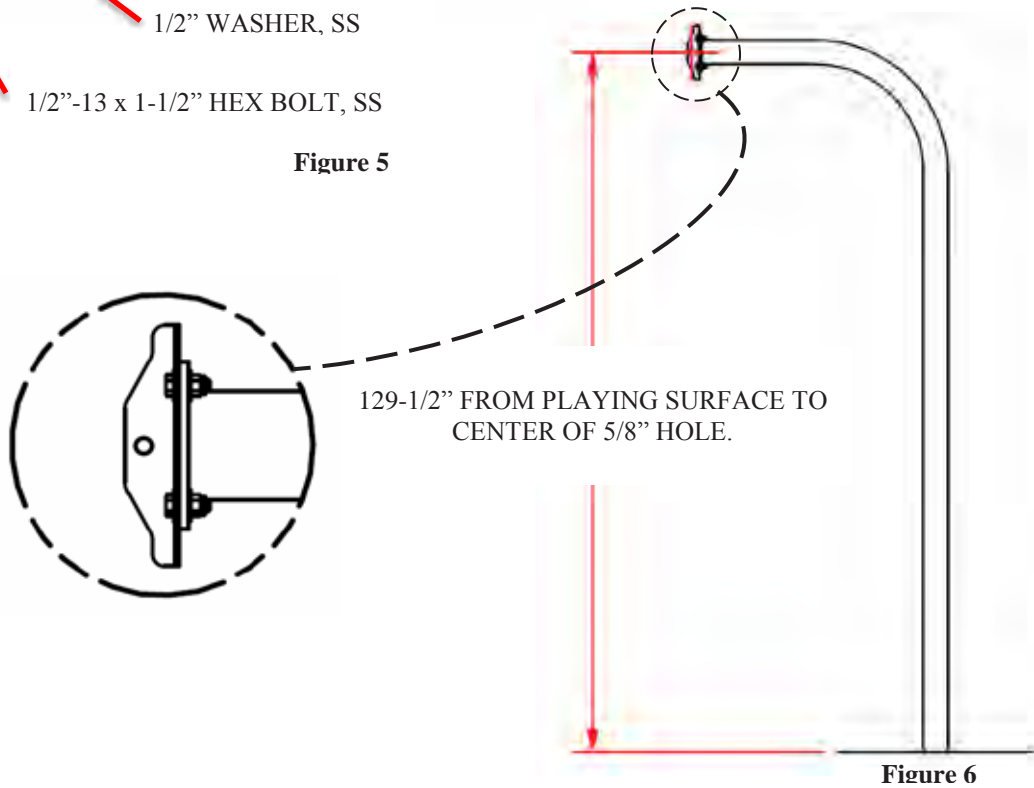


Figure 5



Frame Assembly:

1. Attach the T-Frame to the H-Frame slot channel with 1/2" carriage hardware as shown (Figure 1). Do not tighten.
2. Slide the T-Frame on the H-Frame slot channel till the bottom of both frames are at a distance of 6-7/16" (Figure 2) and tighten the carriage bolts down.
3. Attach H-Frame board bracket to the inner H-Frame slot channel holes. Use 1/2" hex bolt hardware as shown (Figure 3). Set the distance between brackets to be 3-3/8" as shown (Figure 4). Do not tighten hardware.

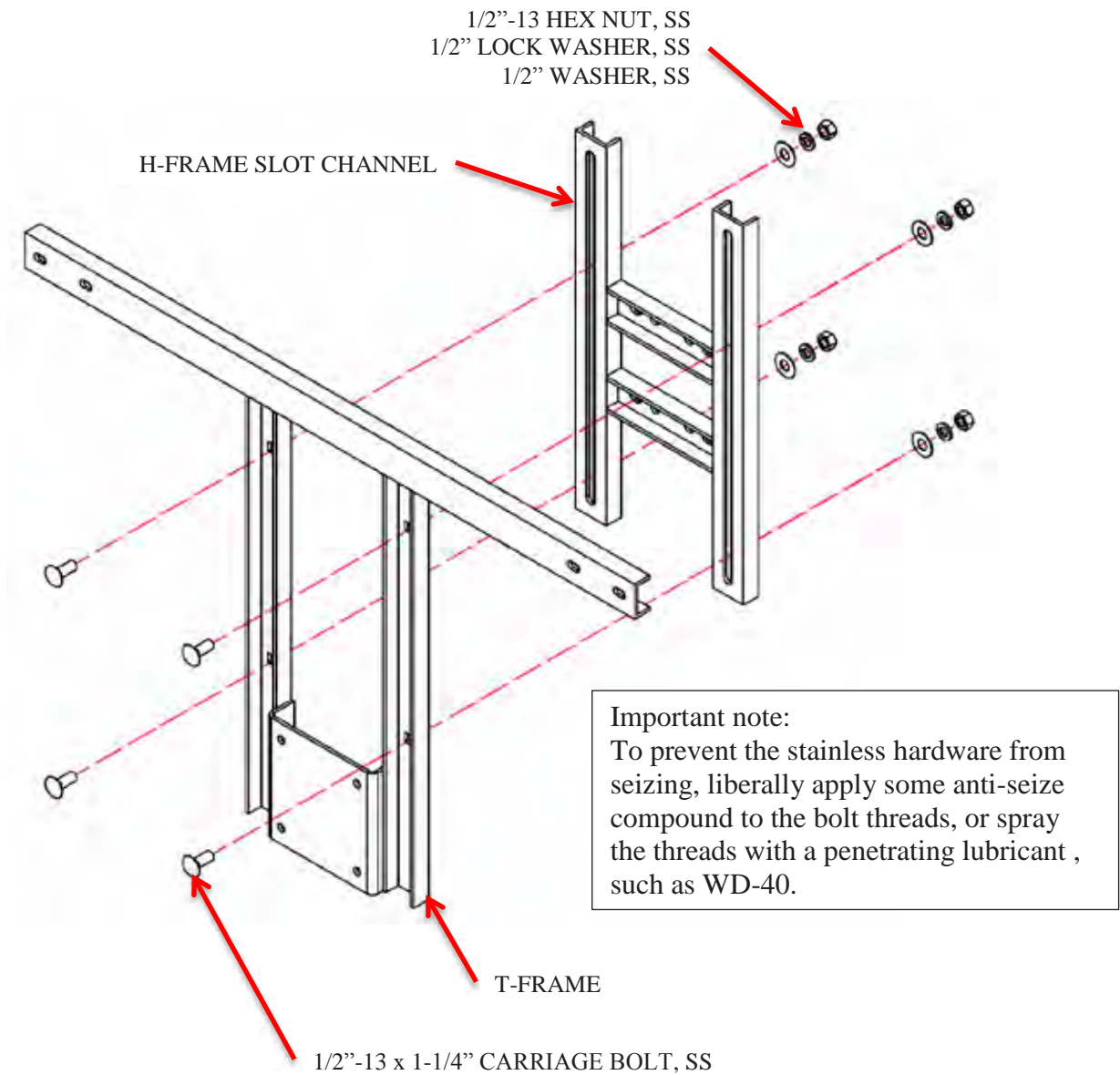


Figure 1

CRITICAL 3" INSIDE TO INSIDE OF PLATE



Figure 4

4 3/4" REF

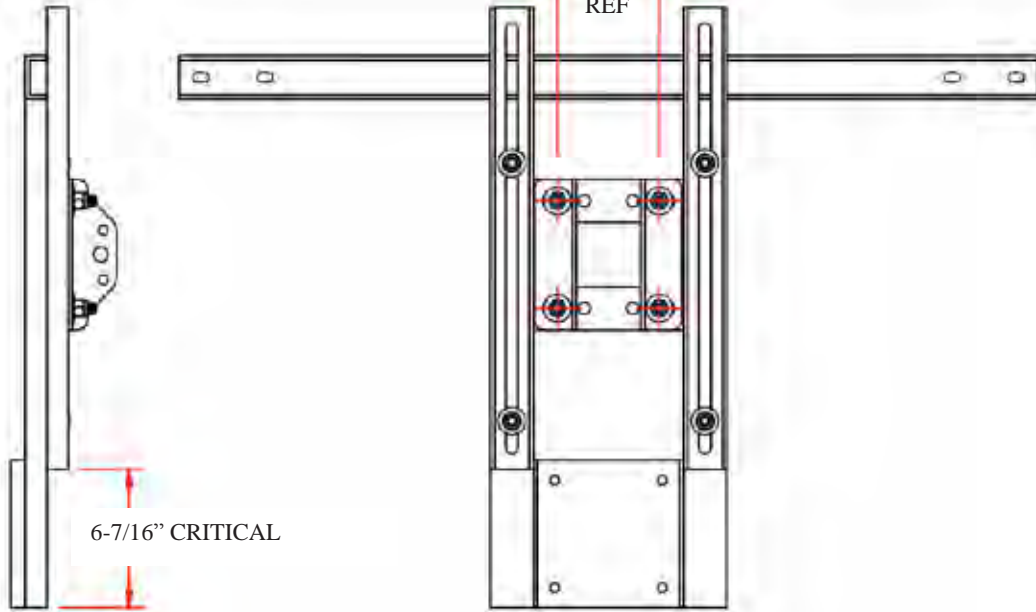


Figure 2

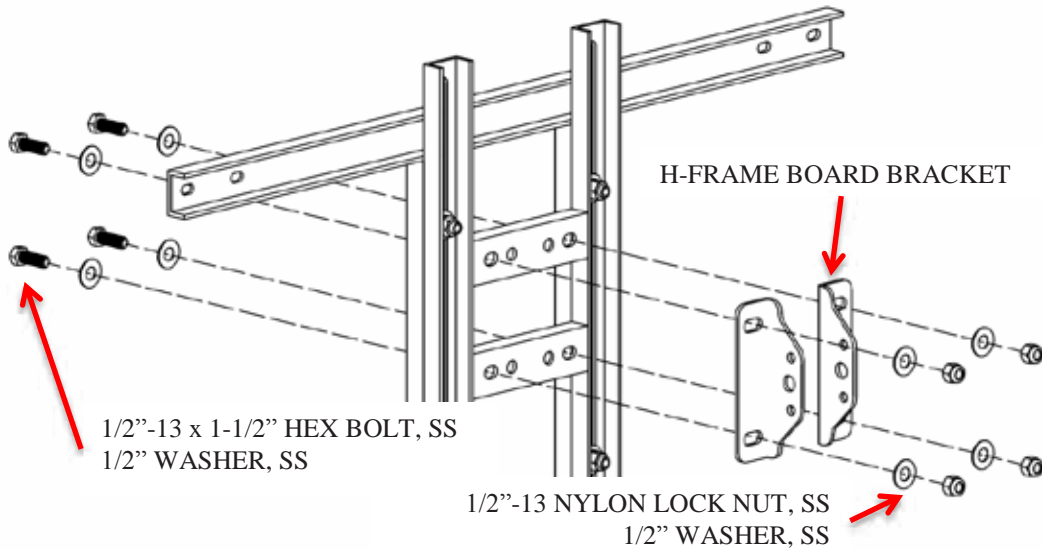


Figure 3

Board Assembly:

1. Attach the T-Frame to the Fan backboard with 3/8" hardware as shown (*Figure 7 & Figure 8*).

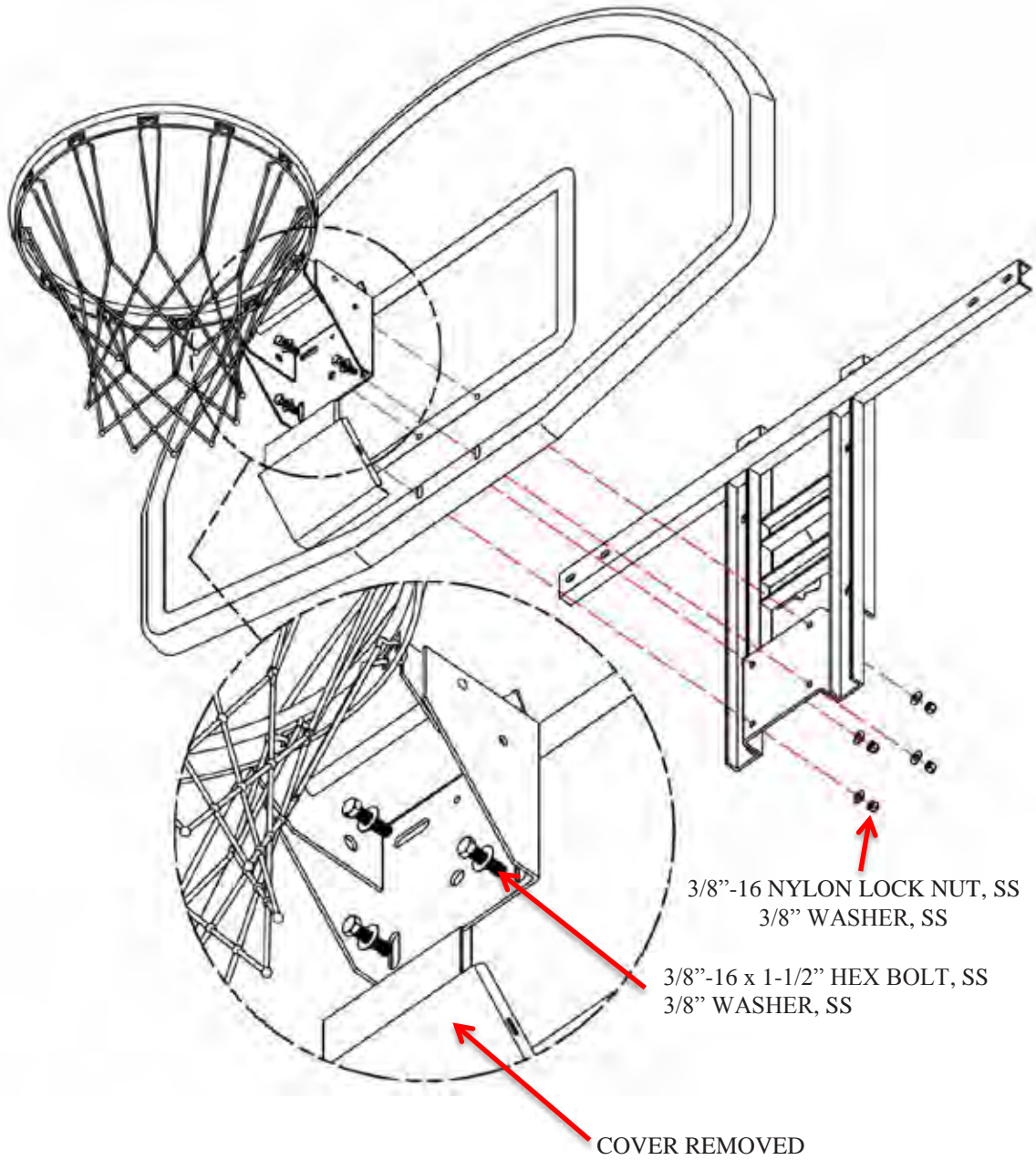


Figure 7

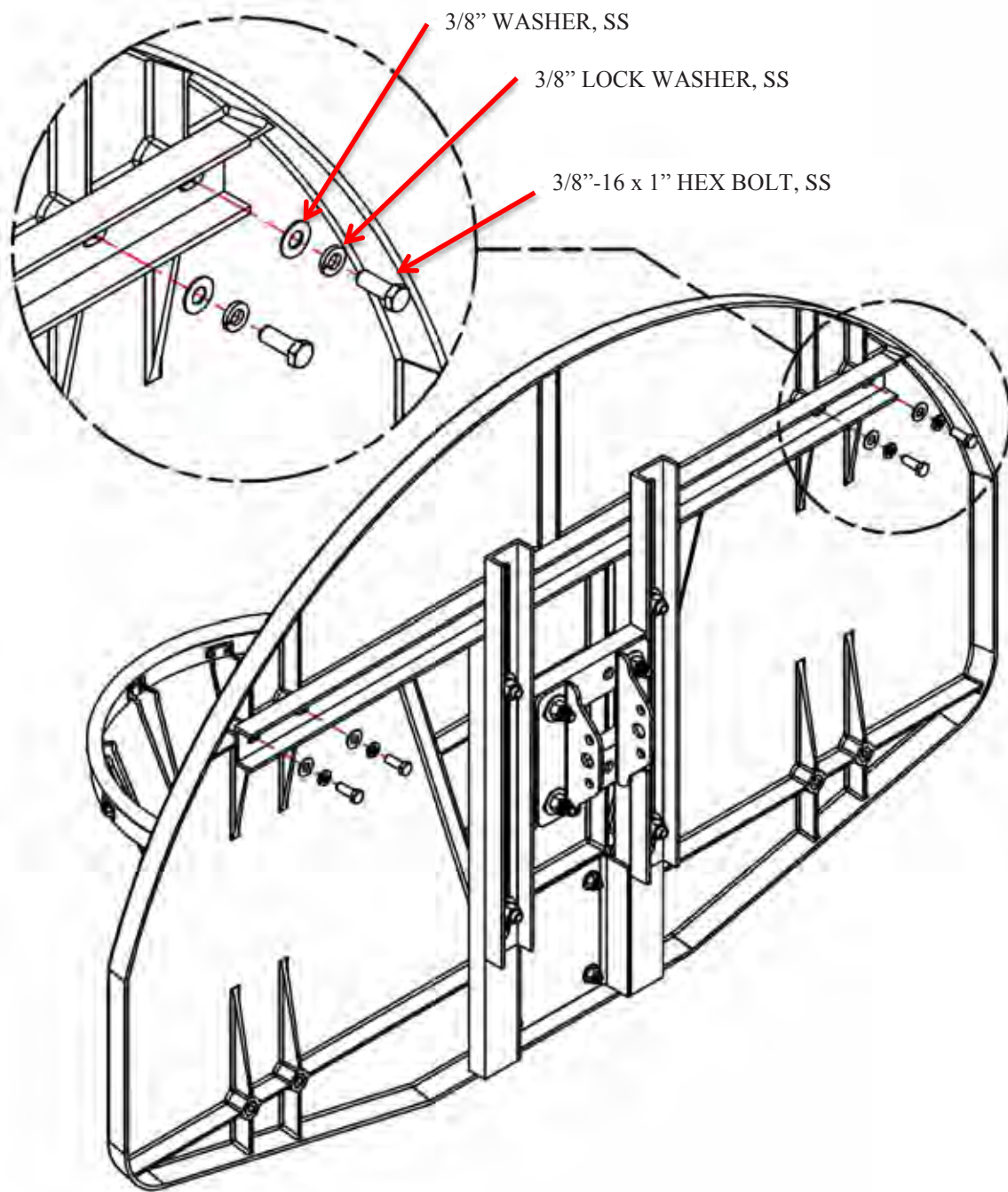


Figure 8

Frame Assembly Attachment:

1. Lift and attach the frame assembly to the mounting plates using 5/8" hardware. Adjust and frame assembly plumb to the playing surface. Do not over tighten.
2. Once the H-Frame board brackets in on the H-Frame gooseneck bracket. Tighten the board bracket hardware (Figure 9).
3. Using the 4 holes in the outer plates as a template to drill thru to the other side of the plate and lock the plumb in place with 4 set of 3/8" hardware as shown (Figure 10).

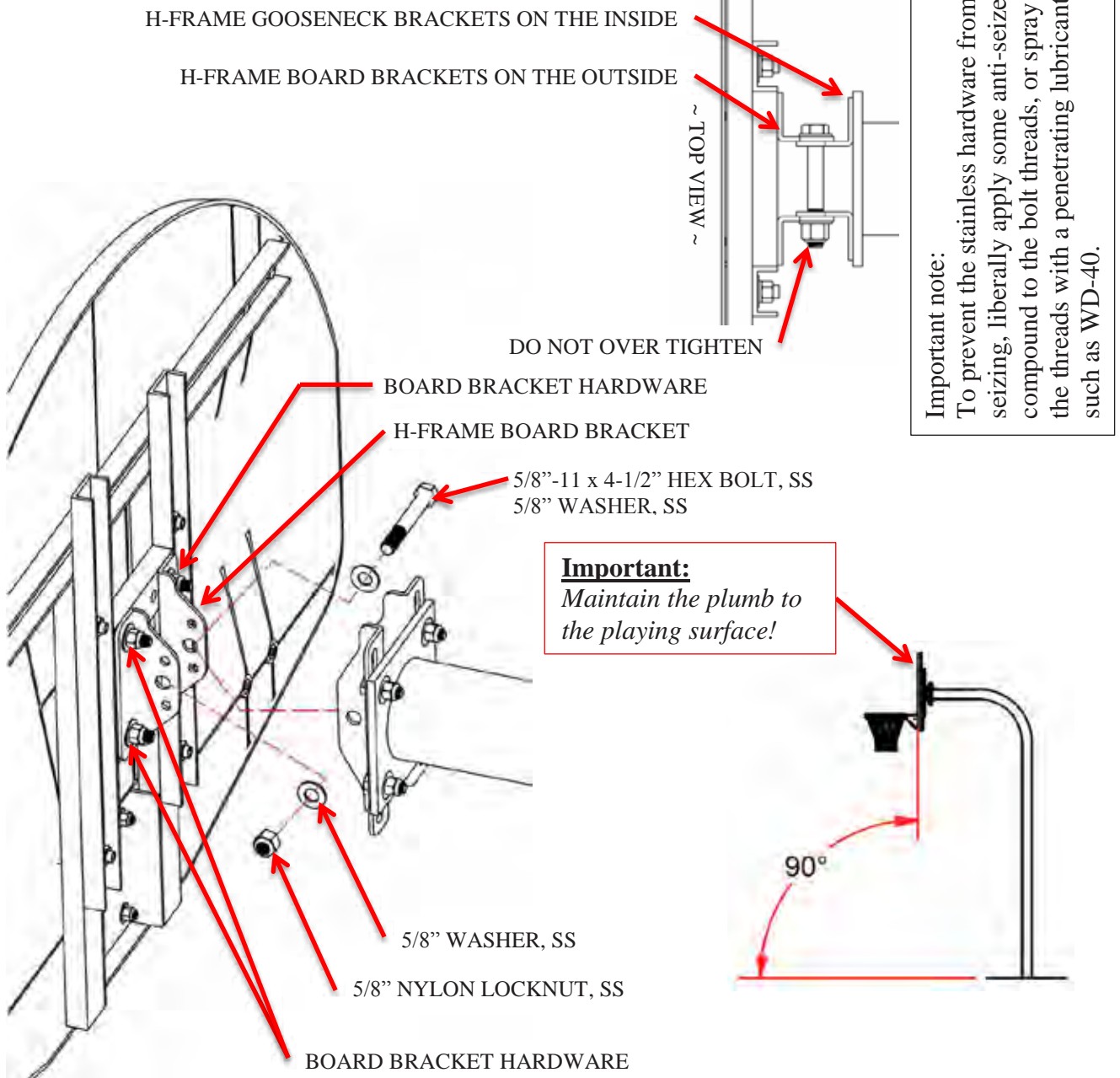


Figure 9

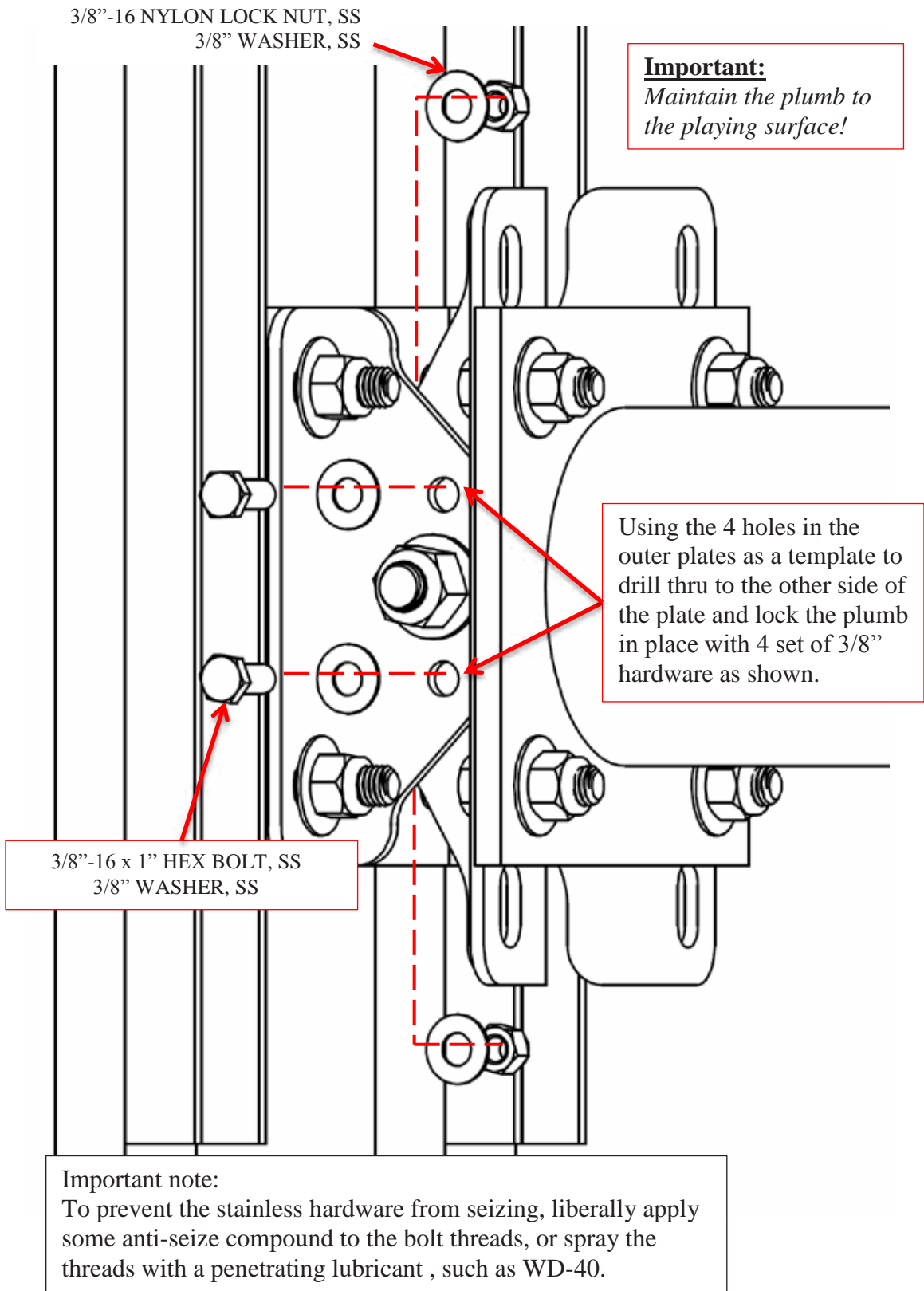


Figure 10

Maintenance:

Thoroughly inspect the system at least twice a year check all hardware for tightness and wear.

Inspect the system for any surface rust. Brush off and protect rusted areas with a Rustoleum type zinc spray.

Check the height and plumpness of the system. Carefully adjust if needed.

