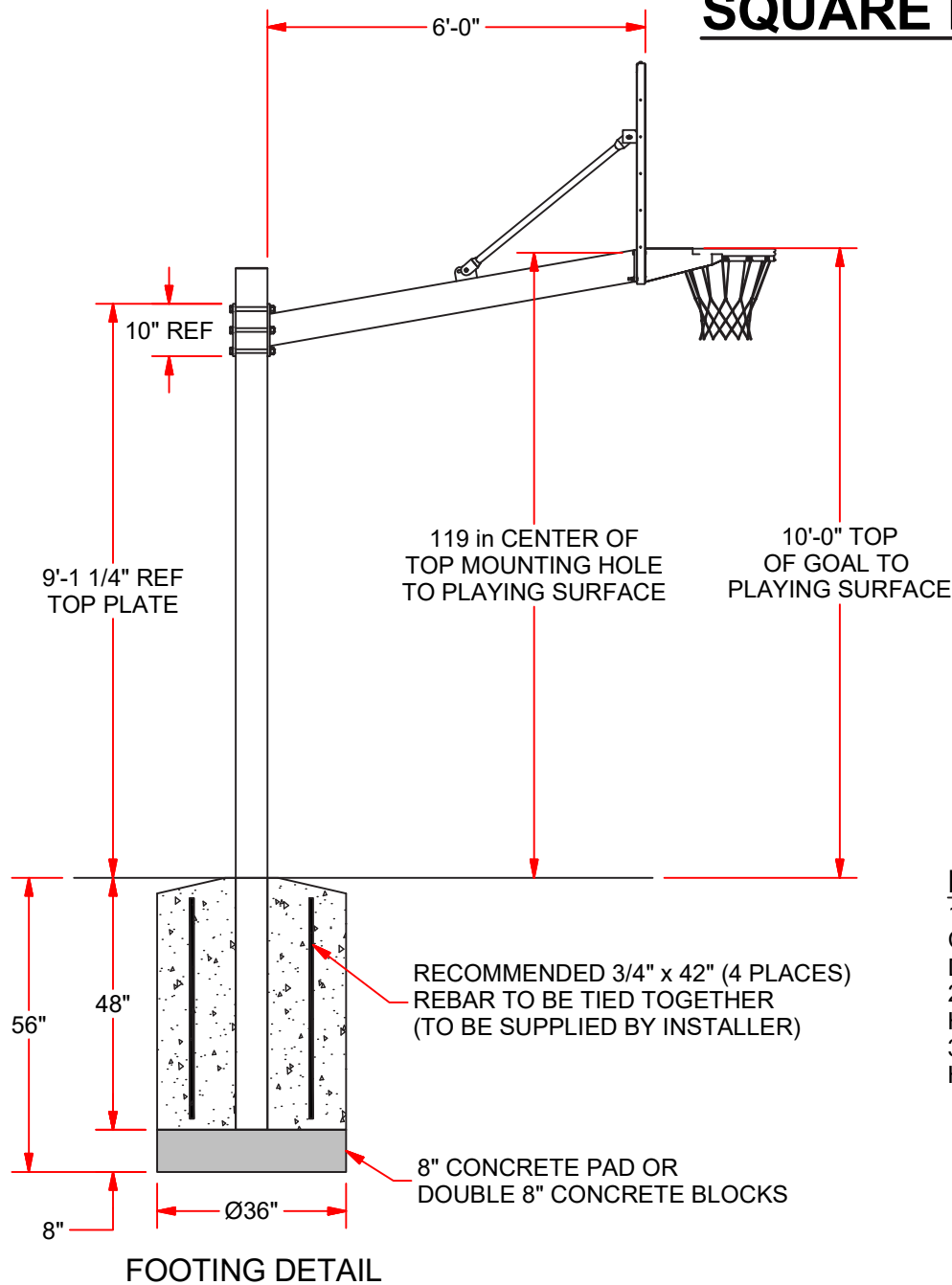
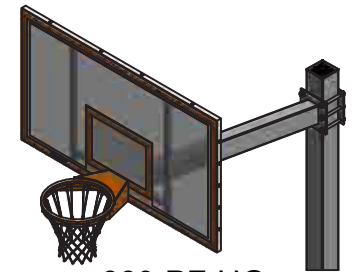


# MODEL 660 / 770 SQUARE POST OUTDOOR BASKETBALL



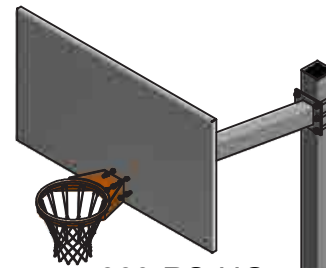
**660-AC-UG**

*THE TITAN GALV UPRIGHT W/ ACRYLIC BOARD*



**660-PF-UG**

*THE TITAN GALV UPRIGHT W/ PERF BOARD*



**660-RS-UG**

*THE TITAN GALV UPRIGHT W/ STEEL BOARD*

**GALVANIZED POLE:**

660-AC-UG  
660-RS-UUG  
660-PF-UG

**POWDER COATED BLACK POLE:**

770-AC-UG  
770-RS-UUG  
770-PF-UG

**IMPORTANT NOTICE:**

- 1) EQUIPMENT SHOULD BE CHECKED REGULARLY FOR PROPER CONNECTING HARDWARE AND STRUCTURAL INTEGRITY. REPLACE ANY DAMAGED OR MISSING HARDWARE IMMEDIATELY
- 2) USE OF THIS EQUIPMENT OTHER THAN INTENDED, MAY BE HAZARDOUS.
- 3) ALTERATION OR MODIFICATION OF THIS EQUIPMENT MAY BE HAZARDOUS AND RESULT IN INJURY.

# MODEL 660/770 SQUARE POST OUTDOOR BASKETBALL ASSEMBLY INSTRUCTIONS

## BEFORE YOU START

- A) UNPACK ALL PARTS AND CHECK AGAINST PARTS LIST TO ENSURE THAT ALL PARTS HAVE BEEN INCLUDED  
B) INSPECT FOR DAMAGE. REPORT ALL DAMAGES TO TRUCKING COMPANY.

ITEM	QTY	PART NUMBER	DESCRIPTION	ITEM	QTY	PART NUMBER	DESCRIPTION
1	1	666U	UPRIGHT	10	2	HB5031	3/8-16 x 1-1/2 CARRIAGE BOLT-ZP
2	1	666R	666 OUTRIGGER	11	6	HS5061	3/4-10 x 8 HEX CAP SCREW-ZP-Gr5
3	1	VARIOUS	BACKBOARD PER ORDER	12	3	HS287	3/8-16 x 1-1/4 HEX CAP SCREW-ZP-GrNC
4	1	666-1A	666 MOUNTING PLATE	13	12	HW343	3/4 SAE WASHER-ZP-GrNC
5	2	SR5370	850RB-BB MOUNTING TAB	14	5	HW334	3/8 LOCK WASHER-ZP-GrNC
6	2	660-BR	1.315 DIA BACKBOARD BRACE	15	7	HW2050	3/8 STD WASHER-ZP-GrNC
7	1	EC0061	6" x 6" PLASTIC END CAP	16	5	HN264	3/8 - 16 Hex Nut - ZP - GrNC
8	1	UBG-500	ULTIMATE PLAYGROUND BASKETBALL GOAL	17	2	HN5040	3/8"-16 SLAB BASE TEE NUT, SS
9	1	JNY-6HP	BRAIDED NYLON BASKETBALL NET 1/2 PR	18	6	HN5019	3/4-10 STOVER LOCKNUT ZINC PLATE

## UPRIGHT INSTALLATION

- 1) CHECK LOCAL BUILDING CODES BEFORE STARTING THE FOOTING, AS BUILDING CODES MAY VARY. LOCAL BUILDING CODES SHOULD BE ADHEARED TO IF REQUIREMENTS ARE GREATER THAN THOSE OUTLINED HERE.
- 2) DIG HOLE 36 INCHES SQUARE OR ROUND TO A DEPTH ON 56 INCHES, POUR AN 8 INCH FOOTING AND ALLOW TO FULLY CURE OR PLACE UPRIGHT ON TWO 8 INCH CONCRETE BLOCKS.
- 3) INSTALL SQUARE CAP TO TOP OF POST WITH RUBBER Mallet. (BEFORE RAISING ONTO FOOTING)
- 4) POSITION AND SQUARE THE UPRIGHT ONTO THE FOOTING BASE. POUR THE REMAINDER OF THE FOOTING. ALLOW THE CONCRETE TO FULLY CURE, PER THE MANUFACTURER'S INSTRUCTIONS, BEFORE ATTACHING OUTRIGGER AND BACKBOARD.

## FINAL ASSEMBLY

- 5) ATTACH OUTRIGGER TO UPRIGHT USING 3/4"-10 HARDWARE PROVIDED (SEE DETAIL **A**). IF NEEDED, THE OUTRIGGER MAY BE LEVELED BY PLACING ALUMINUM FLASHING BEHIND THE MOUNTING PLATE LOCATED TOWARDS THE BOTTOM.

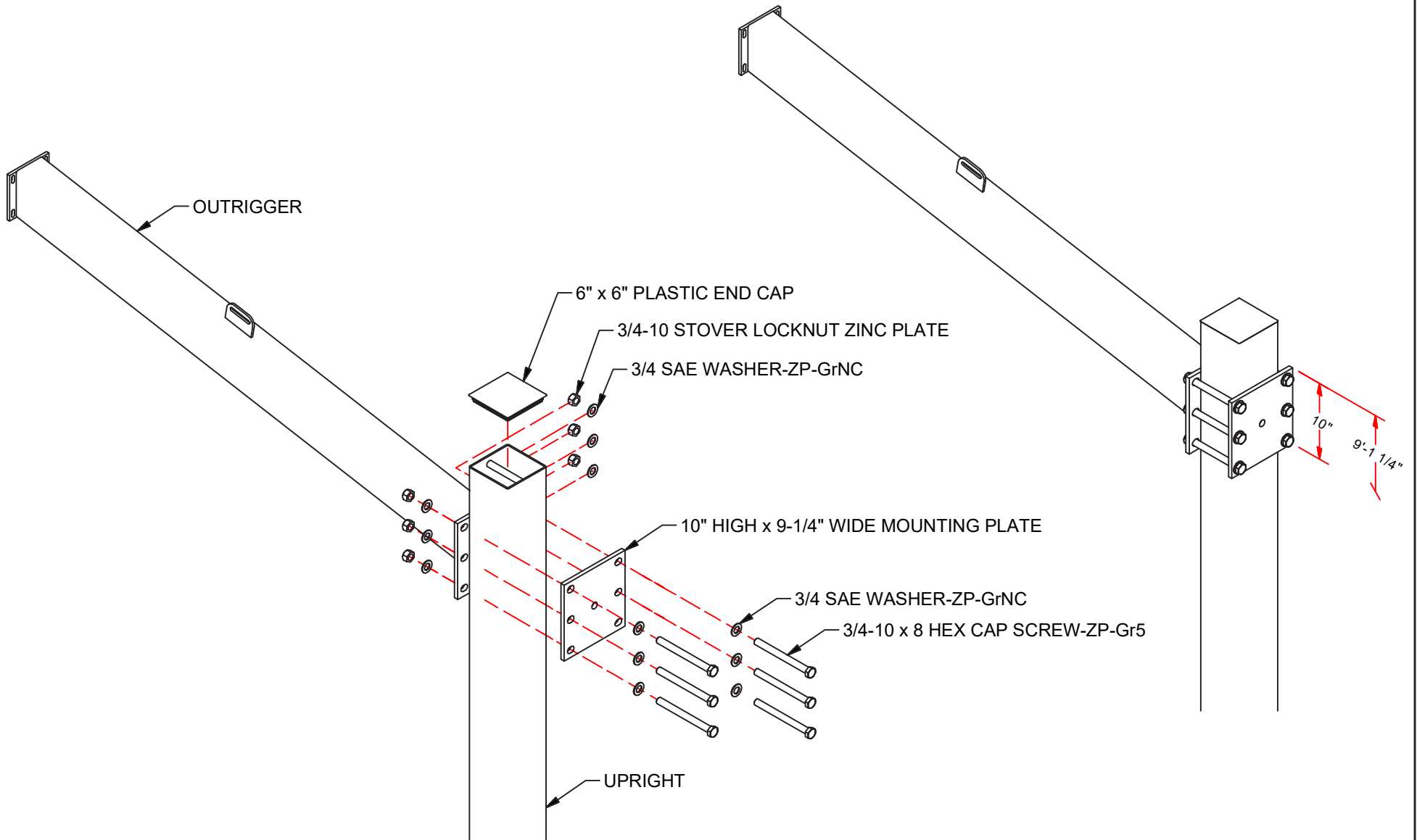
**NOTE THE TOP HOLE OF THE BACKBOARD MOUNTING PLATE SHOULD BE 119 INCHES OFF THE PLAYING SURFACE.**

- 6) ATTACH THE APPROPRIATE BRACE MOUNTING BRACKET TO THE BACK OF THE BACKBOARD, AS SHOWN IN DETAIL **E**. THE BRACKET WILL DEPEND ON THE BACKBOARD ORDERED. THE BRACKETS WILL EITHER BE INCLUDED WITH THE BACKBOARD OR FOUND IN THE GENERAL KIT. THE SPACING BETWEEN THE RIGHT ANGLE BRACKETS OF THE RECTANGULAR STEEL BACKBOARD IS APPROXMATLY 36 INCHES.
- 7) LIFT AND ATTACH THE BACKBOARD TO THE OUTRIGGER USING ONLY THE TOP TWO FASTENERS AND TEE NUTS SHOWN IN SECTION **B-B**. WHEN THE BACKBOARD IS INSTALLED THE TEE NUTS SHOULD BE UP AGAINST THE BACKBOARD AS SHOWN IN SEE DETAIL **C**. THE USE OF THE TEE NUTS ALLOW FOR EASY REPLACEMENT OF THE GOAL.
- 8) INSTALL THE 1 5/16" DIA SUPPORT BRACES TO THE BACKBOARD AND OUTRIGGER AS SHOWN IN DETAILS **F** AND **G**. PLUMB AND LEVEL THE BACKBOARD BEFORE TIGHTENING THE HARDWARE.
- 9) FINALLY ATTACH THE GOAL WITH THE REMAINING HARDWARE SHOWN IN SECTION **B-B**, MAKE CERTAIN THAT A WASHER IS PLACED BETWEEN THE BOARD AND THE GOAL IN THE LOWER TWO HOLES IN ORDER TO KEEP THE GOAL PERPENDICULAR WITH THE BACKBOARD. NOTE THE ORIENTATION OF THE LOWER TWO BOLTS. FOR ADDED SAFETY, THE EXPOSED THREADS AND NUTS SHOULD BE PLACED ON THE BACKSIDE OF THE BACKBOARD, AS SHOWN IN DETAIL **D**.

## TOOLS REQUIRED:

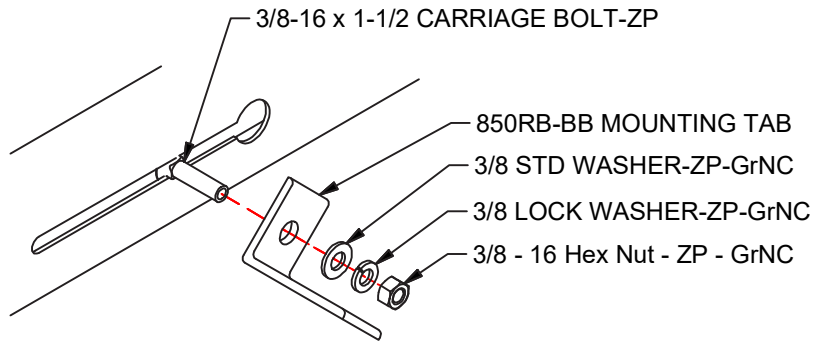
- 1 1/8" Socket Wrench and Combination Wrench
- 9/16" Socket Wrench and Combination Wrench
- Rubber Mallet

# MODEL 660/770 SQUARE POST OUTDOOR UPRIGHT

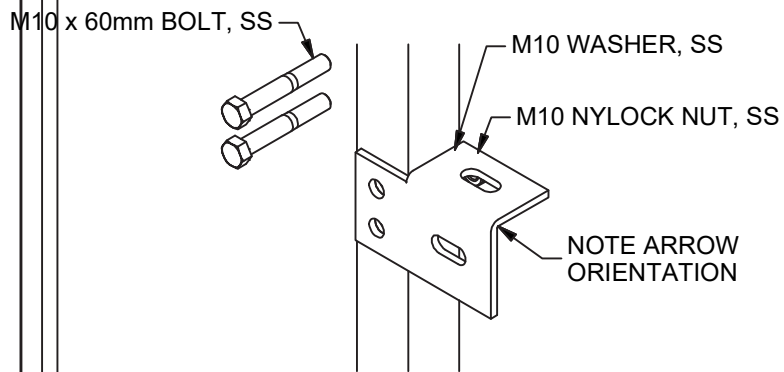


**DETAIL A**  
MOUNTING OUTRIGGER TO UPRIGHT

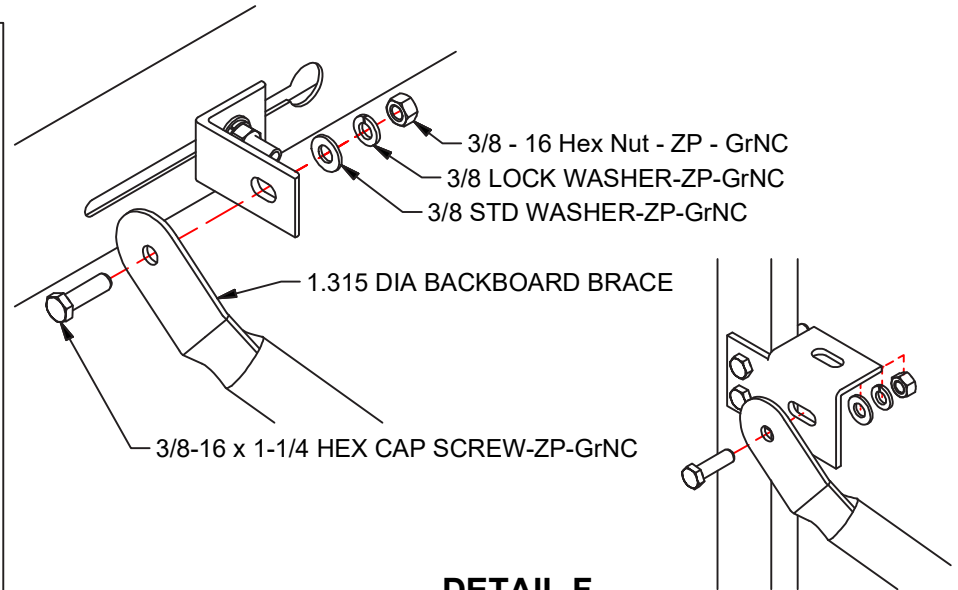
**DETAIL E**  
**BRACE TO BOARD MOUNTING OPTIONS**



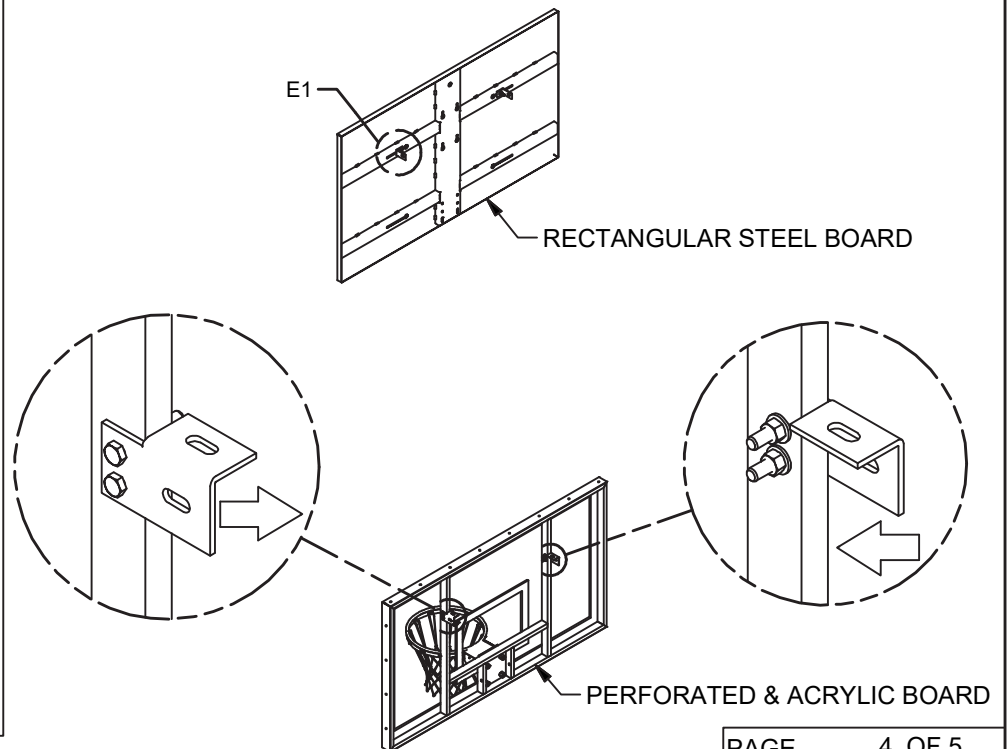
**E1**  
 RECTANGULAR STEEL BOARD

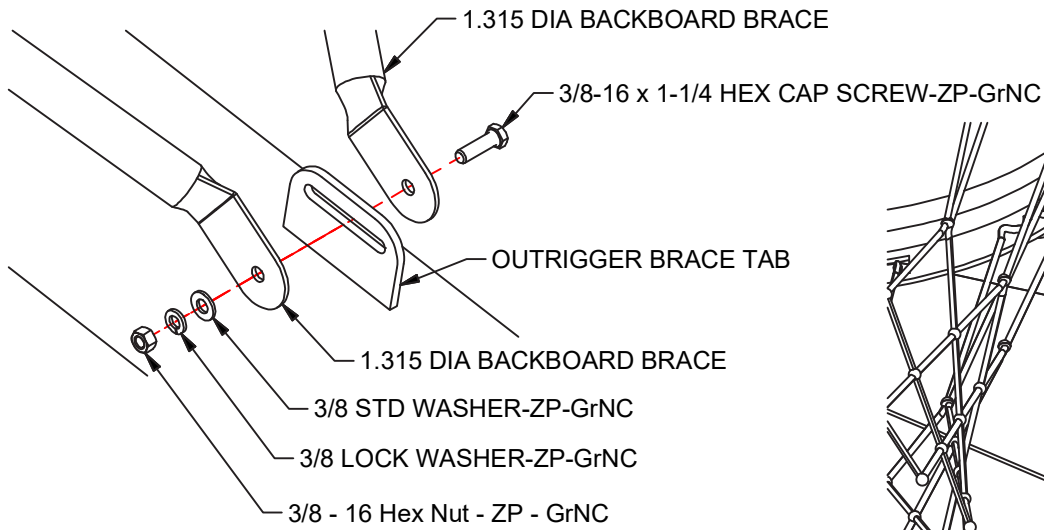


**E2**  
 PERFORATED BOARD OR ACRYLIC BOARD  
 (BRACKET & HARDWARE PROVIDED W/BOARD)

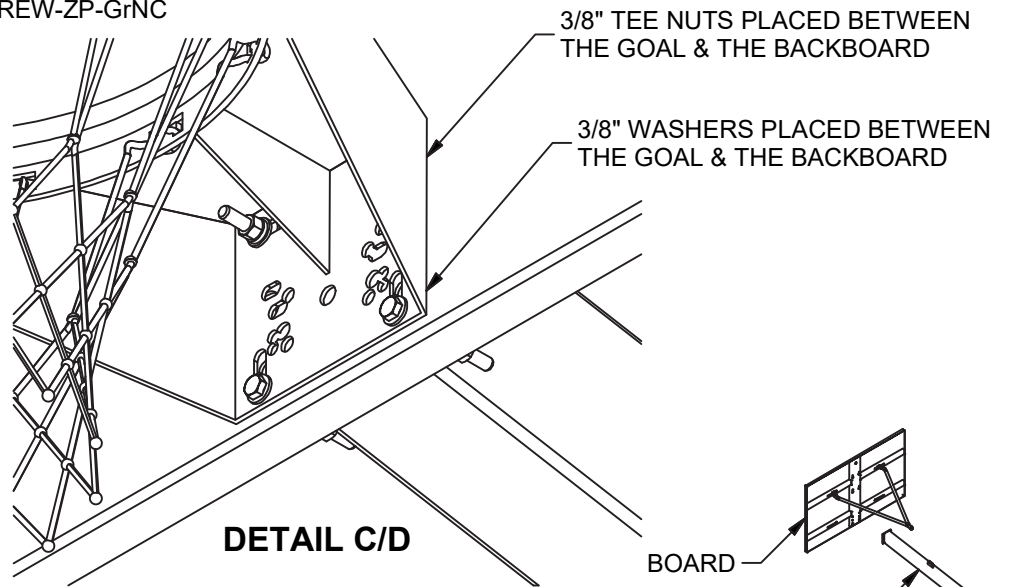


**DETAIL F**  
 UPPER BRACE ATTACHMENT

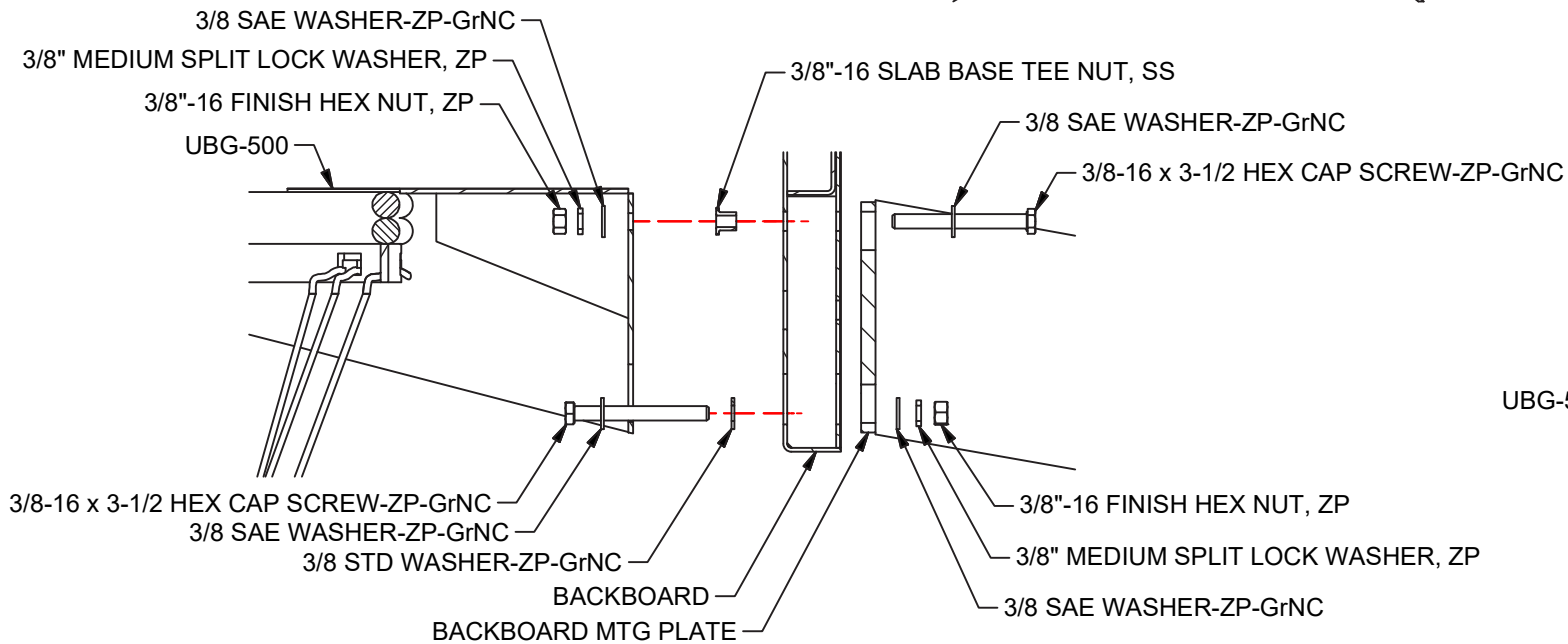
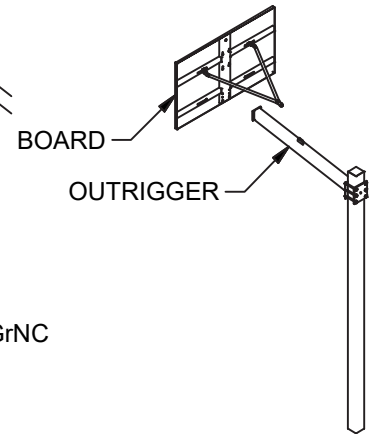




**DETAIL G**  
**BRACES TO OUTRIGGER ATTACHMENT**



**DETAIL C/D**



**SECTION B-B**  
**ALL THE HARDWARE IN THIS DETAIL EXCEPT FOR THE TEE NUTS IS SUPPLIED WITH THE GOAL**

