

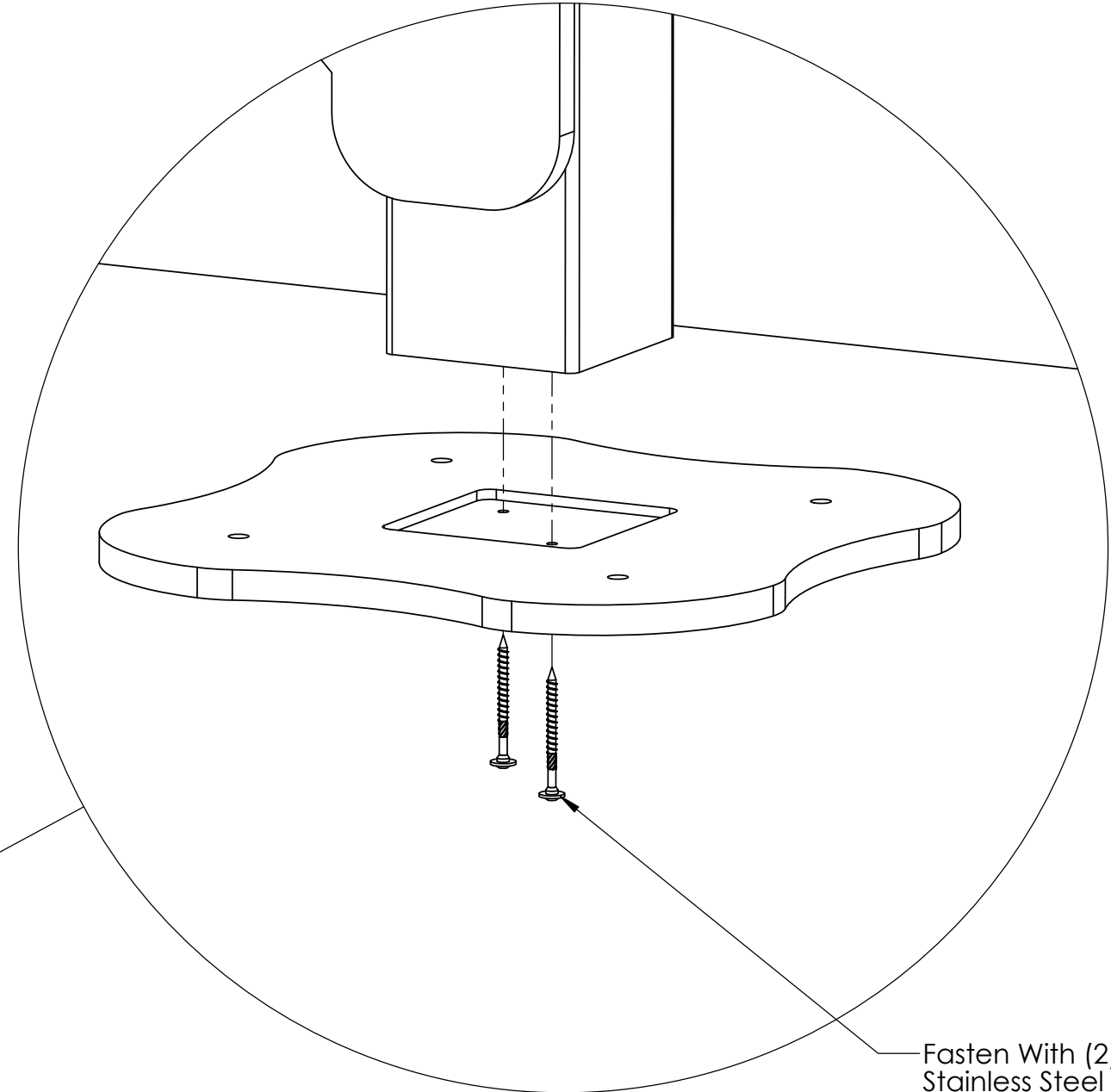
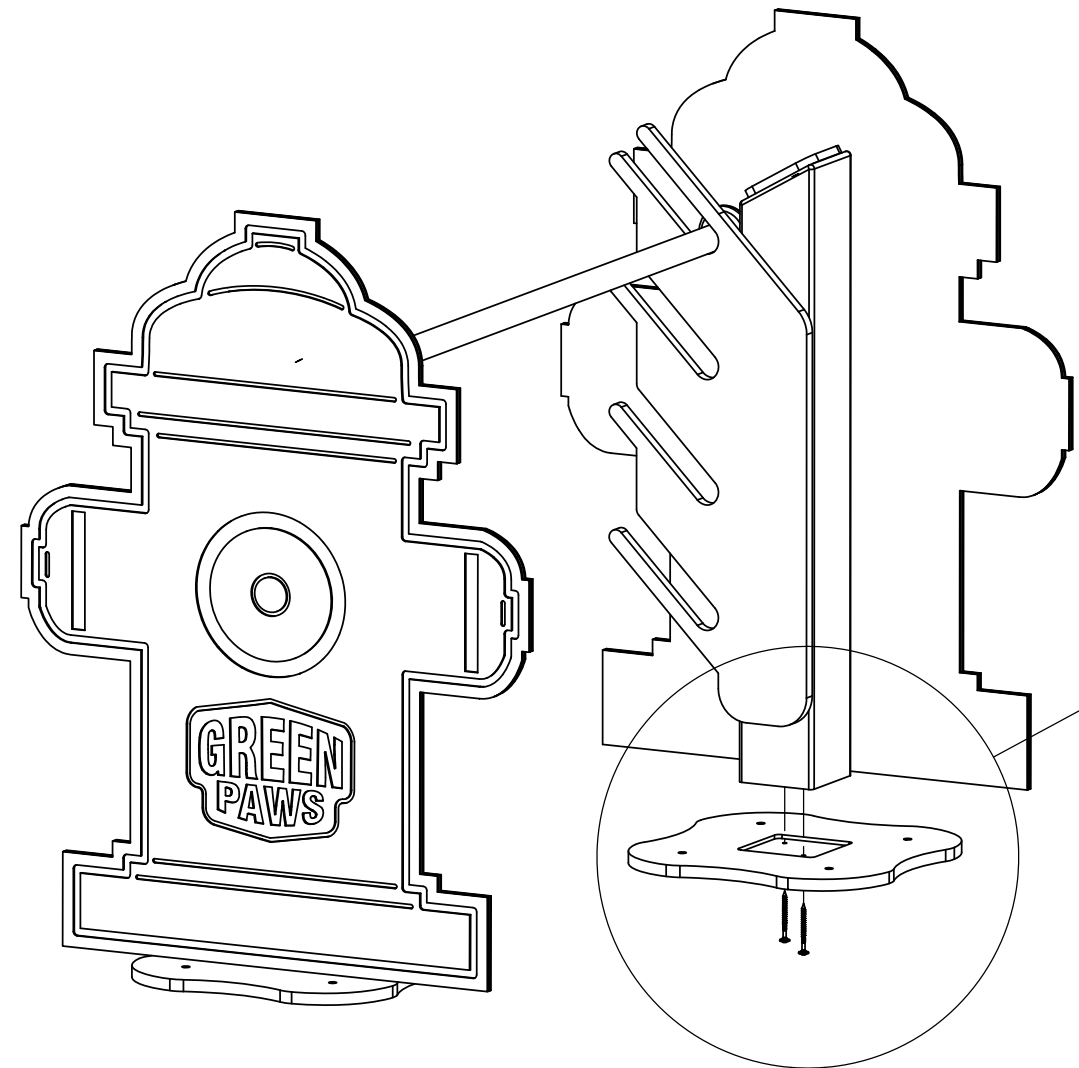
4

3

2

1

Pre-Drill With a 1/4" bit before fastening hardware.



DETAIL A
SCALE 1 : 4

Fasten With (2)
Stainless Steel
Screws (Per Leg)

B

B

A

A

PROPRIETARY AND CONFIDENTIAL
 THE INFORMATION CONTAINED IN THIS
 DRAWING IS THE SOLE PROPERTY OF
 <INSERT COMPANY NAME HERE>. ANY
 REPRODUCTION IN PART OR AS A WHOLE
 WITHOUT THE WRITTEN PERMISSION OF
 <INSERT COMPANY NAME HERE> IS
 PROHIBITED.

		UNLESS OTHERWISE SPECIFIED:		NAME	DATE		
		DIMENSIONS ARE IN INCHES		DRAWN		TITLE: FIRE HYDRANT PORTABLE ASSEMBLY	
		TOLERANCES:		CHECKED			
		FRACTIONAL: ±		ENG APPR.			
		ANGULAR: MACH ± BEND ±		MFG APPR.			
		TWO PLACE DECIMAL ±		Q.A.		SIZE	DWG. NO.
		THREE PLACE DECIMAL ±		COMMENTS:		B	
		INTERPRET GEOMETRIC TOLERANCING PER:				SCALE: 1:24	WEIGHT:
		MATERIAL					SHEET 1 OF 1
NEXT ASSY	USED ON	FINISH					
APPLICATION		DO NOT SCALE DRAWING					

4

3

2

1