

Standard Bathing Tub

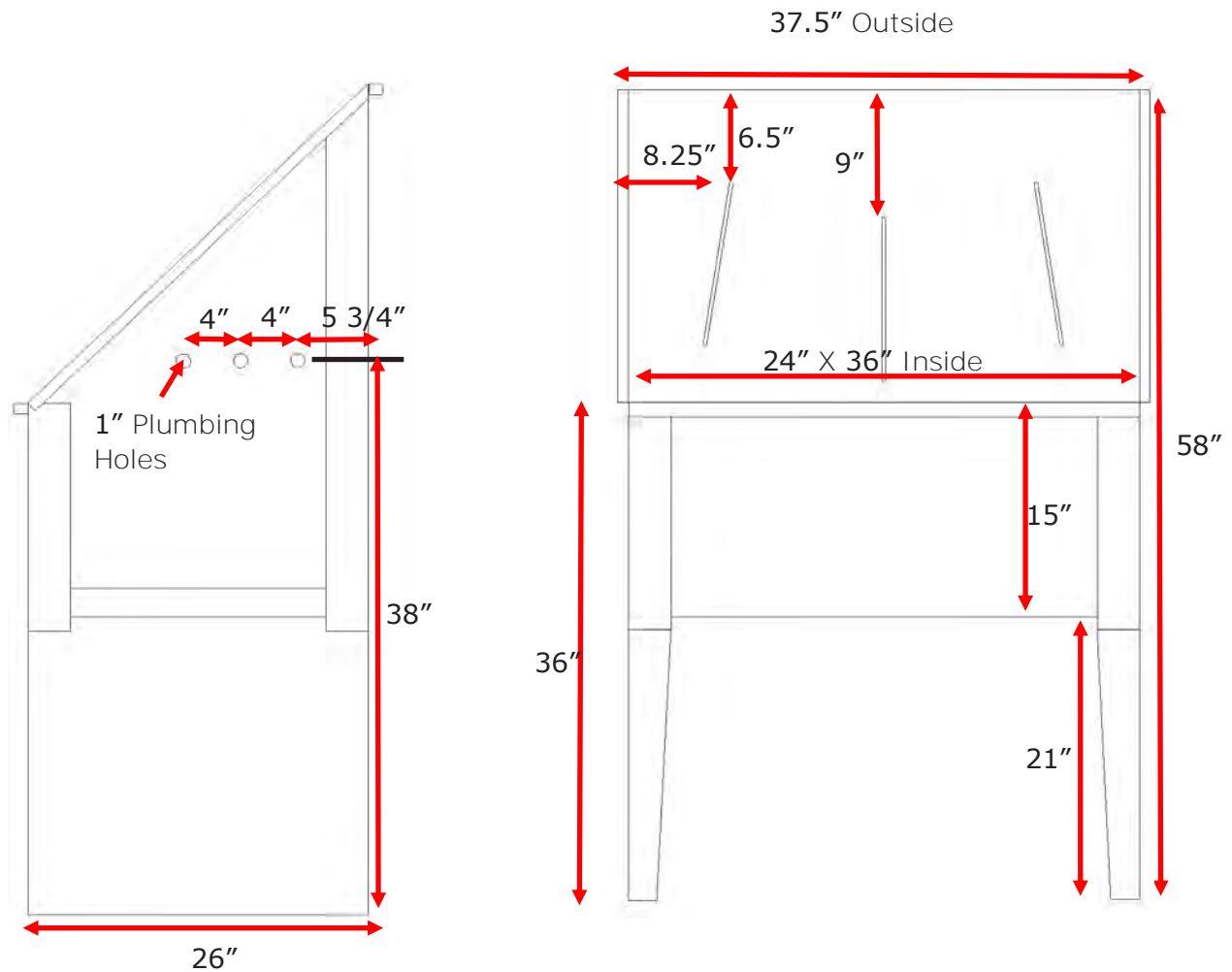


The Standard Bathing Tub is perfect for animals of all sizes! Constructed with a fully welded tub body and double sealed to guaranteed no leaking or rusting. High back and side walls protect against splashed and shaken water. Comes with matching stainless steel plug for any port holes not in use. Very easy to use and maintain! Raised Floor Grates, Plumbing Kit, and accessories available! Ships as one unit – simply add the legs!

Features:

- **Double sealed.**
- **Easy Set up and assembly, just put the legs on!**
- **Specify water ports and drain on right, left side or center.**
- **Back splash wall with 2 animal restraint eyelets.**
- **Very durable, even in the harshest conditions**
- **Guaranteed to never leak or rust.**
- **20 gauge 304 stainless steel**
- **20" Legs with leg levelers.**
- **3 Year Warranty**
- **Handcrafted in the USA**

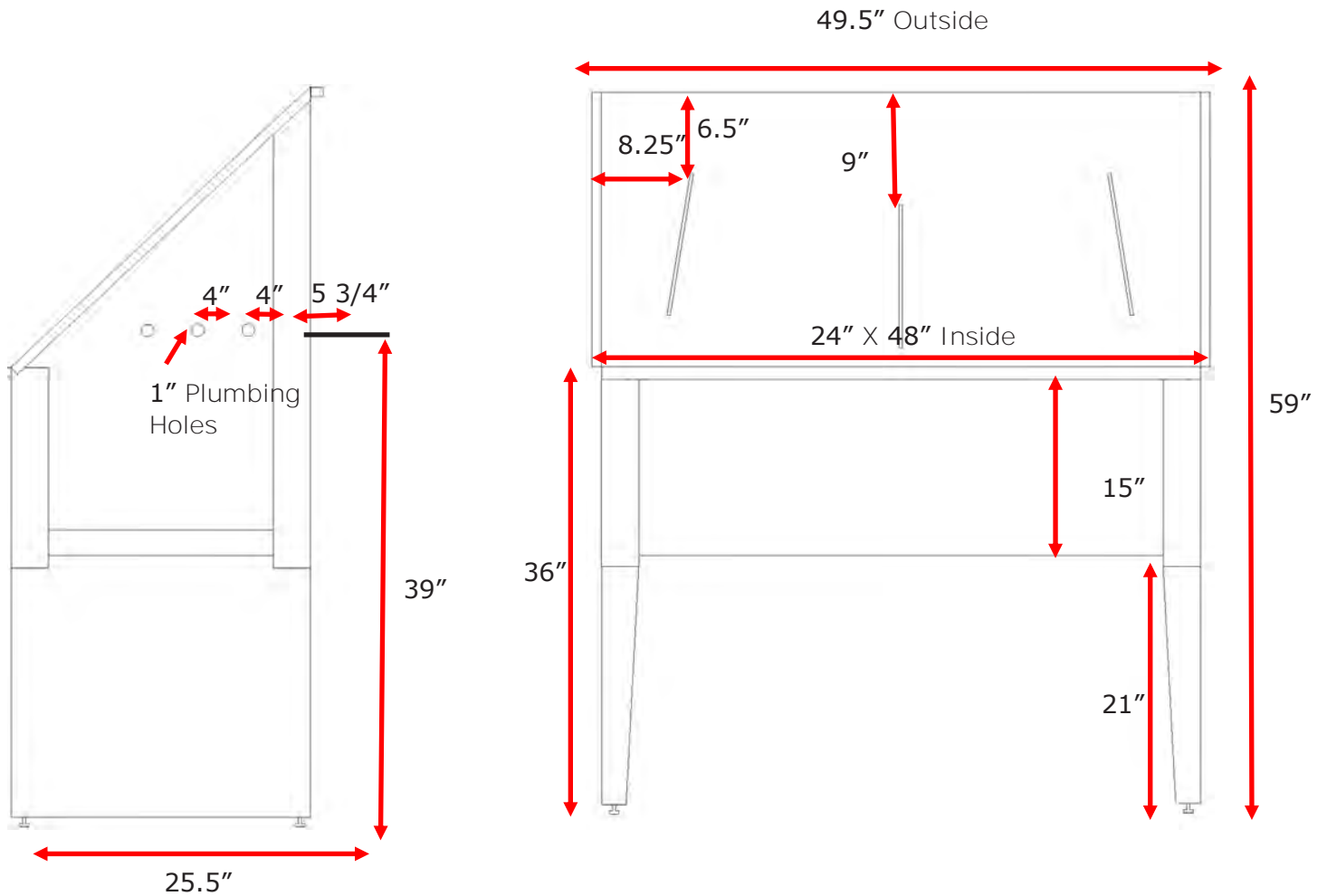
36" Standard Bathing Tub



Available as Left, Right or center drain. 3.5" drain hole, located 7" on center from the left or right.

Faucet Holes are pre-punched as a 1" hole 3 holes 4" on center as pictured

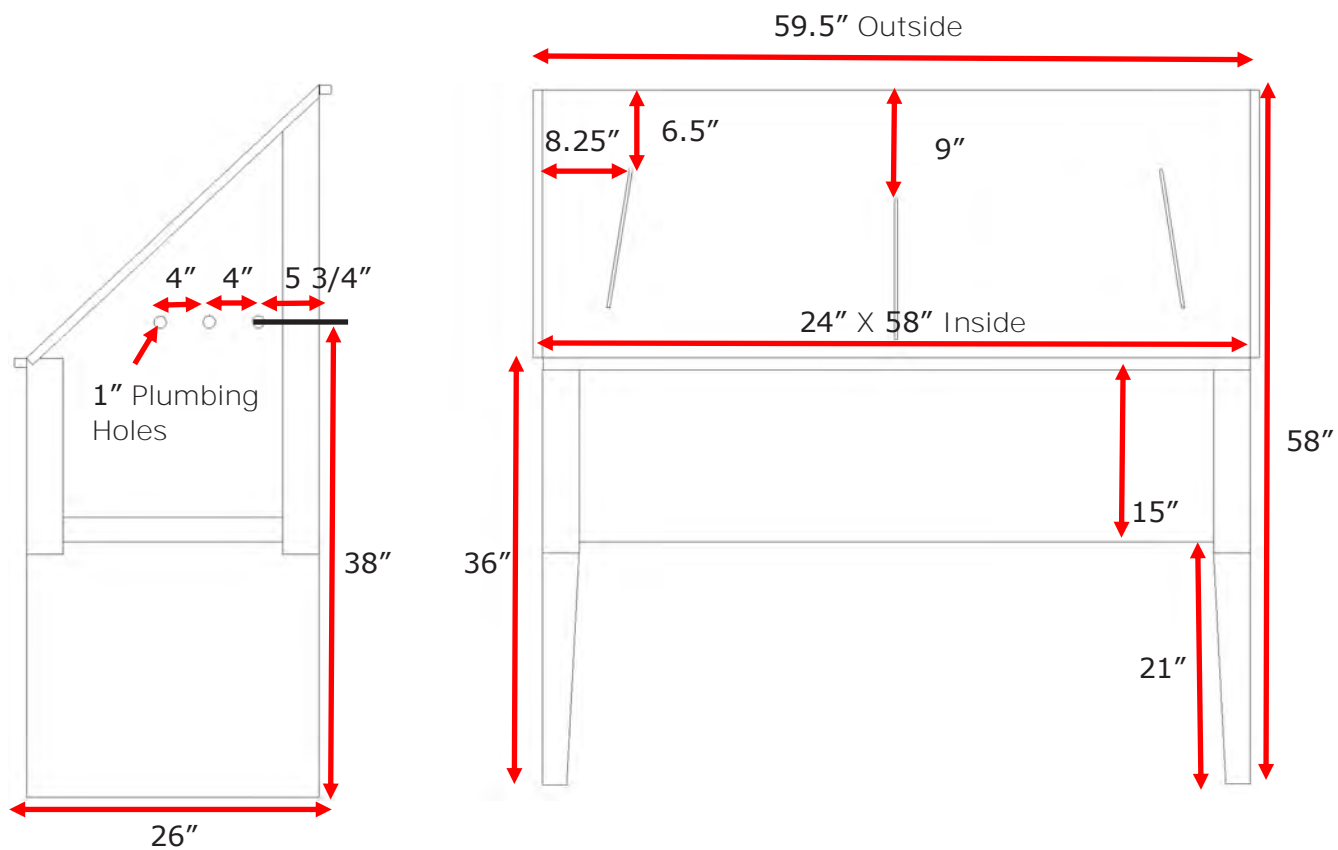
48" Standard Bathing Tub



Available as Left, Right or center drain. 3.5" drain hole, located 7" on center from the left or right. (12" from front of tub and 12" from the back of the tub)

Faucet Holes are pre-punched as a 1" hole 3 holes 4" on center as pictured, custom faucet locations are available for an additional charge.

58" Standard Bathing Tub



Available as Left, Right or center drain. 3.5" drain hole, located 7" on center from the left or right.

Faucet Holes are pre-punched as a 1" hole 3 holes 4" on center as pictured