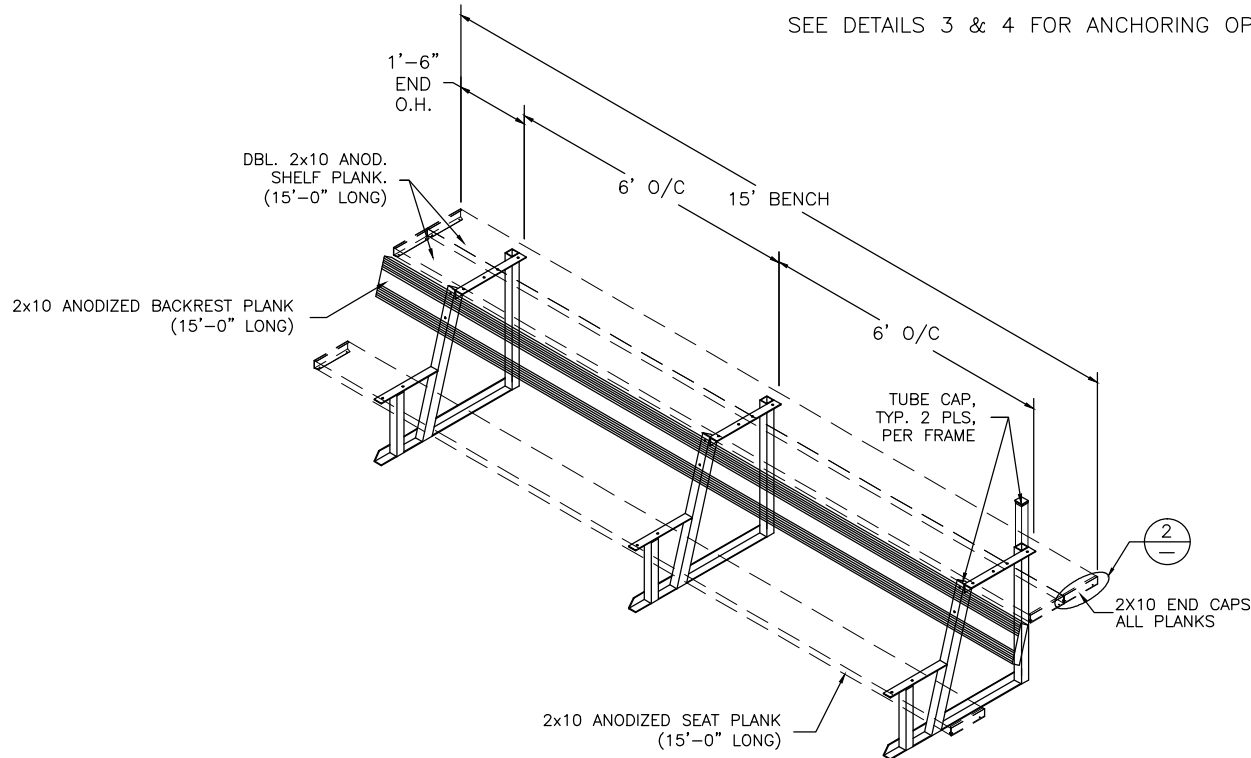
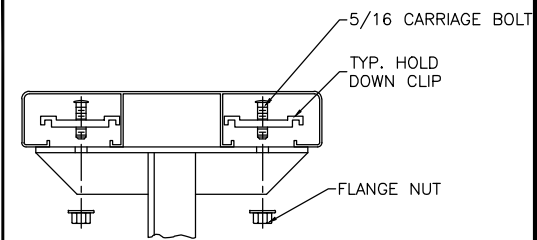


SEE DETAILS 3 & 4 FOR ANCHORING OPTIONS



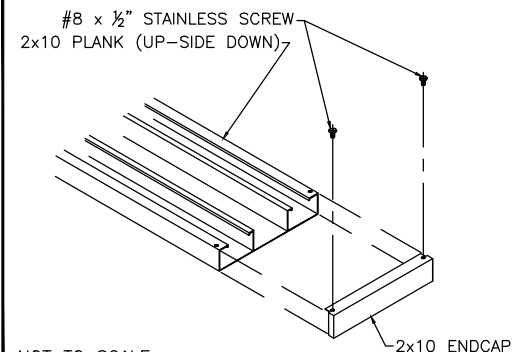
ISOMETRIC VIEW OF BENCH ASSEMBLY  
 Note: Seat Plank Shown Dotted for Clarity

③ TYP 2x10 PLANK ATTACHMENT

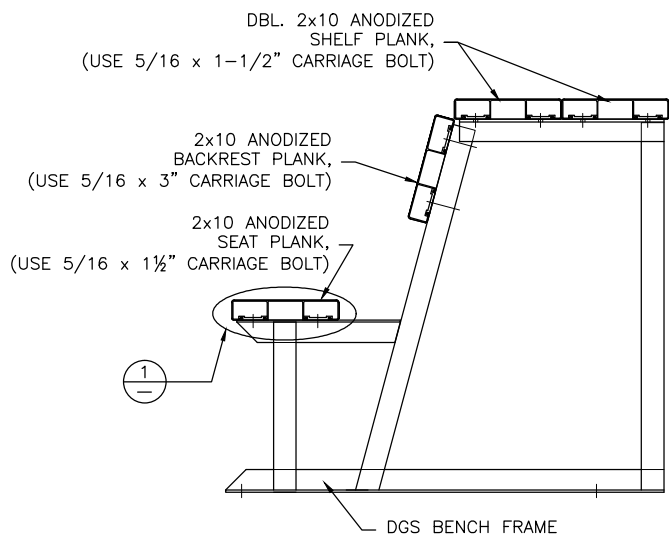


NOT TO SCALE

③ TYP 2x10 ENDCAP ATTACHMENT

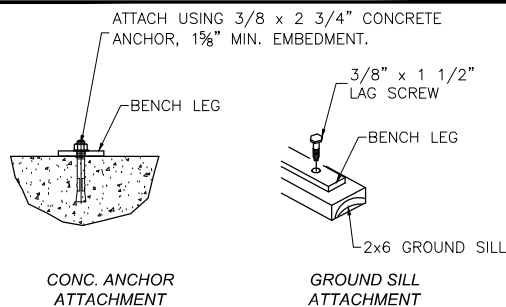


NOT TO SCALE



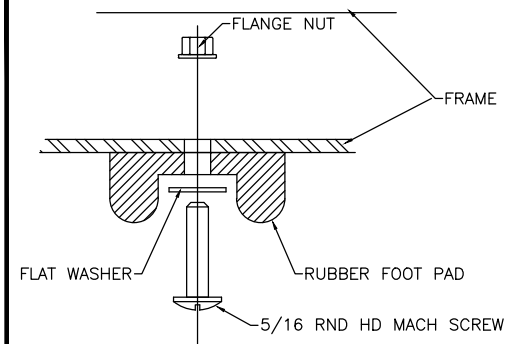
SIDE VIEW OF BENCH ASSEMBLY

④ TYP ANCHORING DETAIL



NOT TO SCALE

④ RUBBER FOOT PAD ATTACH. DETAIL



SCALE:	APPROVED BY:	DRAWN BY:
DATE:		
TITLE:		
CUSTOMER:	DRAWING NUMBER:	