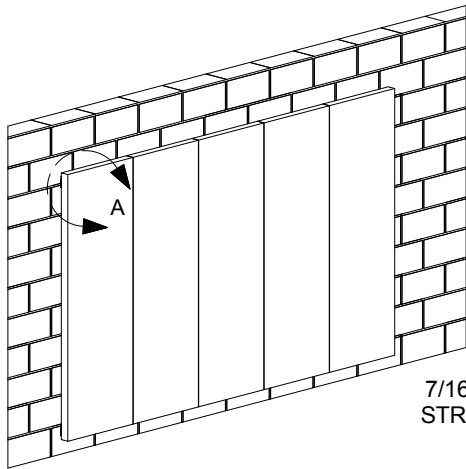
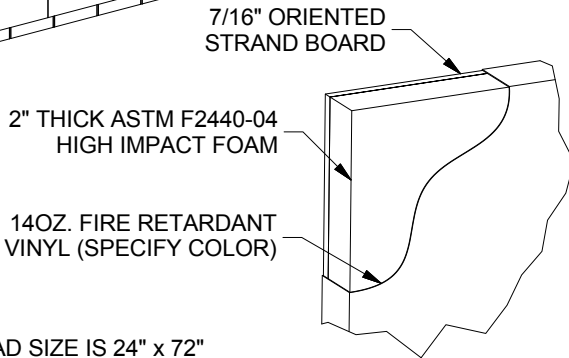


WallGuard High Impact Flat Wall Padding



**PAD EXCEEDS
ASTM F2440-04**



TYPICAL PAD SIZE IS 24" x 72"
CUSTOM SIZES AVAILABLE

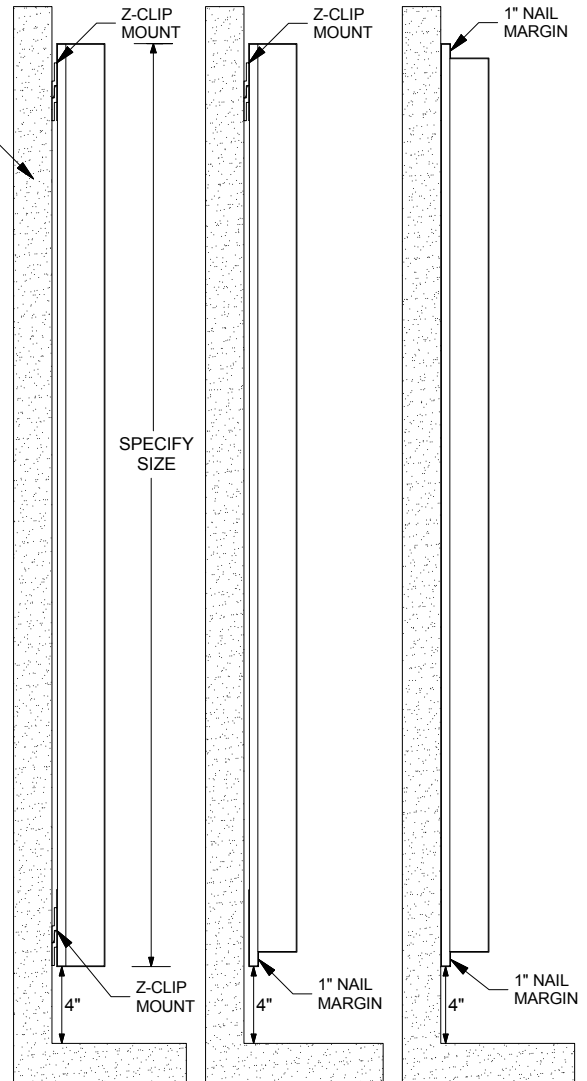
DETAIL A

MOUNTING STYLES

Z-CLIP TOP
& BOTTOM

Z-CLIP TOP,
1" LIP BOTTOM

1" LIP TOP
& BOTTOM



SPECIFICATIONS - HIGH IMPACT FLAT WALL PADS

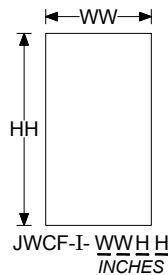
WallGuard High Impact Flat Wall Pads are for indoor use only. Vinyl meets or exceeds the requirements of NFPA 101 Life Safety Code for Class A rating (Flame Spread 0-25, Smoke Development 0-450) and California State (CSFM) test requirements. **Pad meets or exceeds impact standards as defined in ASTM F2440-04.**

Construction: Pad shall be 2' wide 6' high. Pad shall have 2" thick ASTM F2440-04 high impact foam with 7/16" oriented strand board (OSB) backing. Vinyl shall be wrapped around backside of backer board and secured with steel staples. Vinyl shall be 14 oz per square yard with grab tensile strength 365lbs x 348lbs and tongue tear strength 92lbs x 83lbs. Vinyl shall be washable and resistant to fade, rot, mildew, and fungus.

Attachment: Wall pads available with z-clip top and bottom, z-clip top and 1" margin bottom, or 1" margin top and bottom. Wall pads can be mounted to wood, drywall, concrete, brick, etc using the appropriate fasteners supplied by others.

Custom wall pad sizes are available. See additional specification for column pads, tapered column pads, and corner pads. Vinyl available in 14 standard colors. Custom lettering and graphics also available.

QUANTITY	P/N	DESCRIPTION
_____	JWCF-I-2472ZZ	Z-CLIP TOP & BOTTOM
_____	JWCF-I-2472Z	Z-CLIP TOP, 1" LIP BOTTOM
_____	JWCF-I-2472	1" LIP TOP & BOTTOM
_____	JWCF-I-_____ZZ	Z-CLIP TOP & BOTTOM
_____	JWCF-I-_____Z	Z-CLIP TOP, 1" LIP BOTTOM
_____	JWCF-I-_____	1" LIP TOP & BOTTOM



SPECIFY COLOR

- | | | | | |
|-------------------------------------|---------------------------------|--------------------------------|---------------------------------------|---------------------------------|
| <input type="checkbox"/> ROYAL BLUE | <input type="checkbox"/> PURPLE | <input type="checkbox"/> BLACK | <input type="checkbox"/> FOREST GREEN | <input type="checkbox"/> YELLOW |
| <input type="checkbox"/> NAVY BLUE | <input type="checkbox"/> RED | <input type="checkbox"/> WHITE | <input type="checkbox"/> KELLY GREEN | <input type="checkbox"/> ORANGE |
| <input type="checkbox"/> LIGHT BLUE | <input type="checkbox"/> MAROON | <input type="checkbox"/> GRAY | <input type="checkbox"/> TAN | |

PROJECT NAME _____

PROJECT NUMBER _____

ARCHITECT _____

CONTRACTOR _____

NOTES _____

**TERRA BOUND
SOLUTIONS™**

WallGuard
Impact Wall Padding

www.terraboundsolutions.com
1-877-857-2915
2020 Hickory Twig Way
Spring, TX 77388