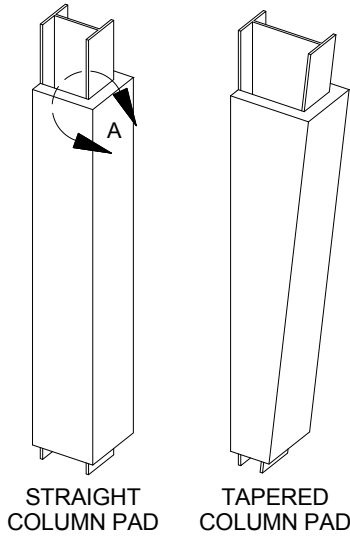
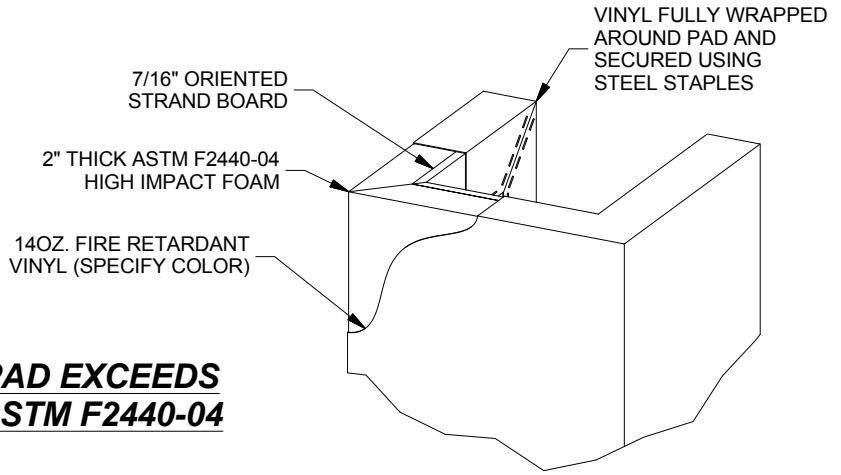


WallGuard High Impact Column Wall Padding



**PAD EXCEEDS
ASTM F2440-04**



DETAIL A

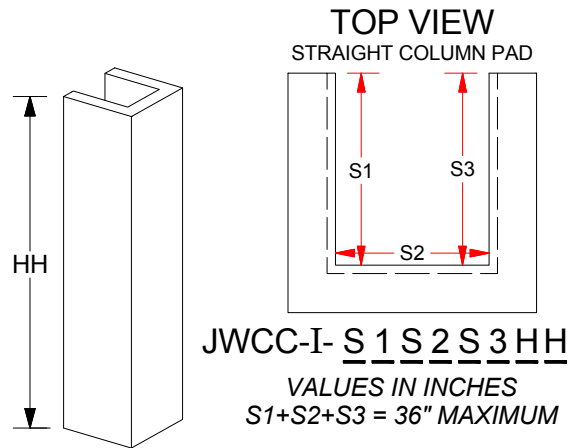
SPECIFICATIONS - HIGH IMPACT COLUMN PADS

WallGuard High Impact Straight Column Pads and Tapered Column Pads are for indoor use only. Vinyl meets or exceeds the requirements of NFPA 101 Life Safety Code for Class A rating (Flame Spread 0-25, Smoke Development 0-450) and California State (CSFM) test requirements. **Pad meets or exceeds impact standards as defined in ASTM F2440-04.**

Construction: Pad shall have 2" thick ASTM F2440-04 high impact foam with 7/16" oriented strand board (OSB) backing. Vinyl shall be wrapped around backside of backer board and secured with steel staples. Vinyl shall be 14 oz per square yard with grab tensile strength 365lbs x 348lbs and tongue tear strength 92lbs x 83lbs. Vinyl shall be washable and resistant to fade, rot, mildew, and fungus.

Attachment: Column pads available with z-clip top and bottom, z-clip top and 1" margin bottom, or 1" margin top and bottom. Column pads can be mounted to wood, drywall, concrete, brick, etc using the appropriate fasteners supplied by others.

Custom column pad sizes are available. See additional specification for flat wall pads and corner pads. Vinyl available in 14 standard colors.



QUANTITY	P/N	DESCRIPTION
_____	JWCC-I- _____ ZZ	STRAIGHT, Z-CLIP TOP & BOTTOM
_____	JWCC-I- _____ Z	STRAIGHT, Z-CLIP TOP, 1" LIP BOTTOM
_____	JWCC-I- _____	STRAIGHT, 1" LIP TOP & BOTTOM
_____	JWCCT-I- _____ ZZ	TAPERED, Z-CLIP TOP & BOTTOM
_____	JWCCT-I- _____ Z	TAPERED, Z-CLIP TOP, 1" LIP BOTTOM
_____	JWCCT-I- _____	TAPERED, 1" LIP TOP & BOTTOM

SPECIFY COLOR

- ROYAL BLUE PURPLE
- NAVY BLUE RED
- LIGHT BLUE MAROON
- FOREST GREEN ORANGE
- KELLY GREEN YELLOW
- BLACK TAN
- WHITE GRAY

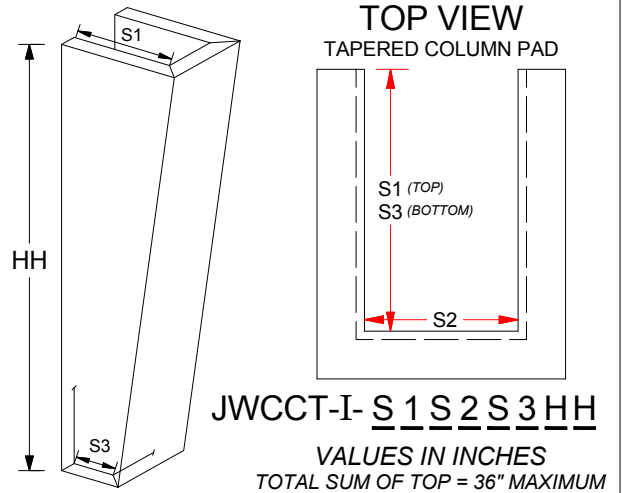
PROJECT NAME _____

PROJECT NUMBER _____

ARCHITECT _____

CONTRACTOR _____

NOTES _____



**TERRA BOUND
SOLUTIONS™**

WallGuard
Impact Wall Padding

www.terraboundsolutions.com
1-877-857-2915
2020 Hickory Twig Way
Spring, TX 77388