

Site Amenities

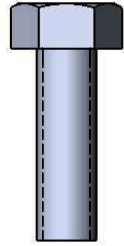
BY SUPERIOR RECREATIONAL PRODUCTS



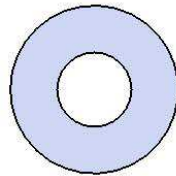
Model #
T46RACS

TERRA BOUND
SOLUTIONS

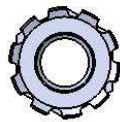
HARDWARE



5/16" X 1"
Machine Bolt



5/16" Washer



5/16" Kep Nut

TERRA BOUND

SOLUTIONS

PRODUCT SPECIFICATIONS

T46RACS 46" ROUND PORTABLE TABLE WITH 4 SEATS

Top & Seats: 11 gauge die formed angle frame 1"x1-7/8" with 3" radius on the seat corners. 3/4" #9 steel expanded metal. 7 gauge x 1-1/2" flat bar center support and mounting bracket understructure. Top is additionally supported to the outer frame with 7 gauge x 1-1/2" flat bar. Electrically MIG welded.

Coating: Oven fused functionalized polyethylene copolymer-based thermoplastic. Fluidized bed coating application with superior mechanical performance, impact resistance and UV-stability.

Frame: 1-5/8" O.D. x 14 gauge pre-galvanized structural steel tubing. Brace attachment points are 1-1/2"x2"x3/16" steel flat bar. Cross braces 1" O.D. x 16 gauge pre-galvanized structural steel tubing. Top is attached with 7 gauge 2"x2" die formed angle. Seat mounting points are 7 gauge x 1-1/2" die stamped steel flat bar. Legs are bent over a mandrel through the bend radius producing a wrinkle free bend. Holes are predrilled in legs for optional surface mounting. All electrically MIG welded.

Frame Coating: Electrostatic powder coated application oven cured.

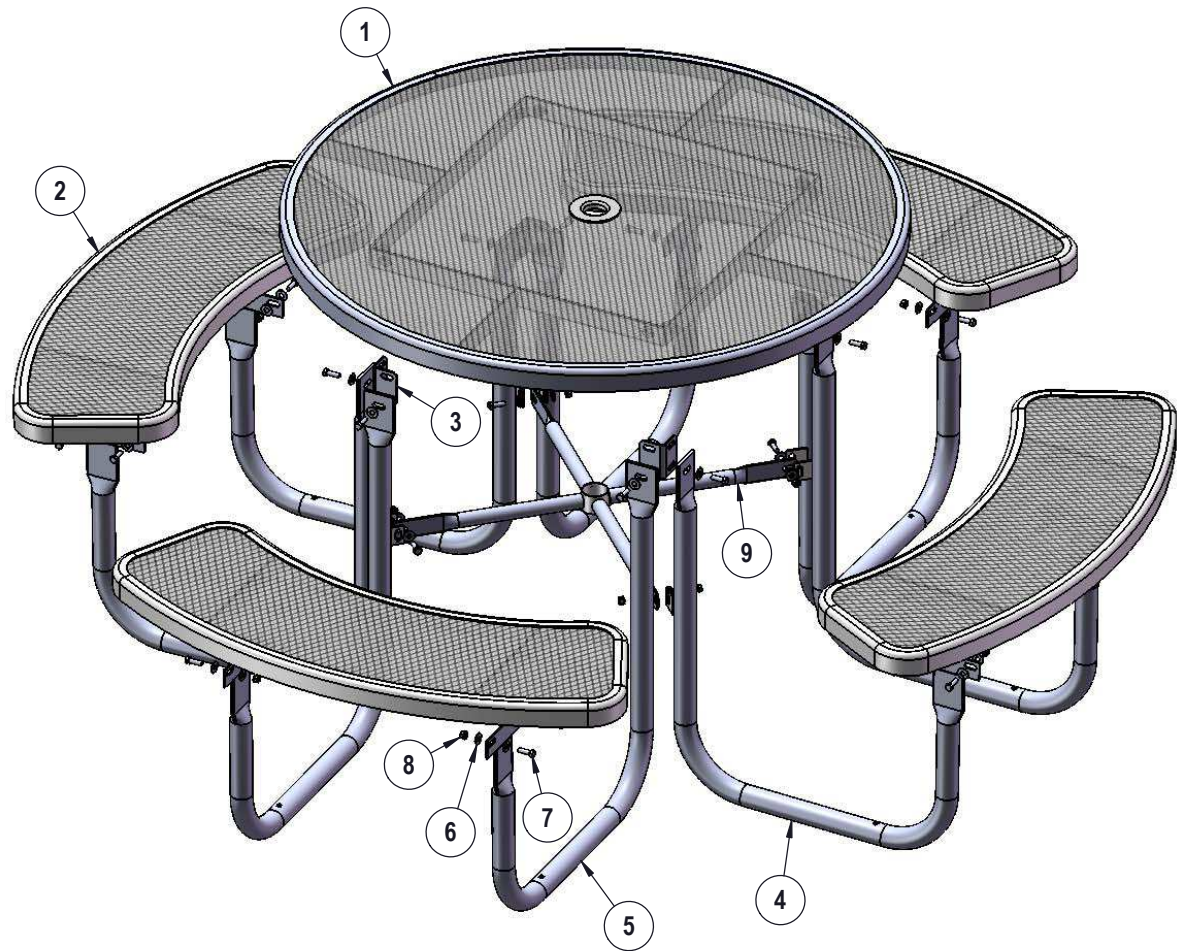
Hardware: All stainless steel hardware fasteners.

Dimensions: Top is 46" diameter x 30" high. Seats are 12" wide x 41-1/2" long x 18" high. Outside to outside dimensions of 4 seat table is 82" x 82".

TERRA BOUND

SOLUTIONS

COMPONENTS

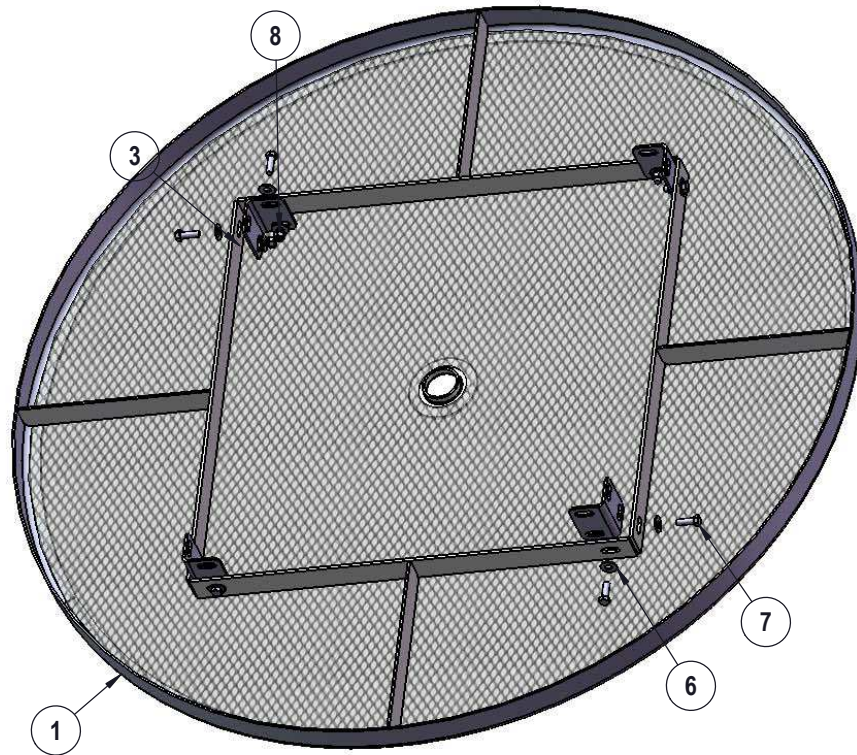


ITEM NO.	PartNo	DESCRIPTION	QTY
1	T-V46RD-T	46" Round Expanded Top	1
2	T-V36RD-S	3' Expanded Round Seat	4
3	P-01-04-0121	358 Extension Tab	4
4	P-V358-L	358 Vinyl Leg L	4
5	P-V358-R	358 Vinyl Leg R	4
6	33-02-0007	5/16" SS Washer	72
7	33-05-0029	5/16" x 1" Machine Bolt (SS)	36
8	33-03-0012	5/16" Kep Nut (SS)	36
9	P-01-04-0122	358 Crossbrace w/ Umbrella Tube	1

TERRA BOUND
SOLUTIONS

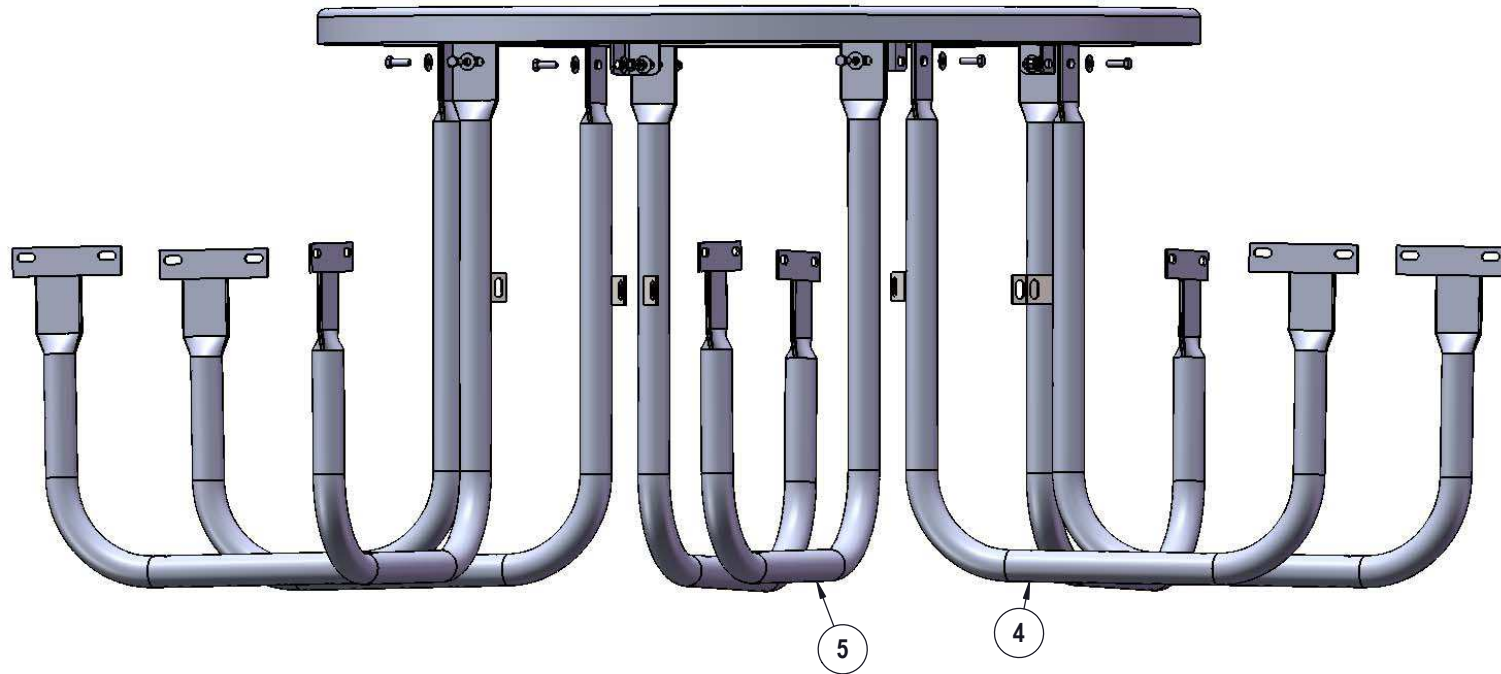
STEP 1

Attach the Extension Tabs to the 46" Round Top using specified hardware.



TERRA BOUND
SOLUTIONS

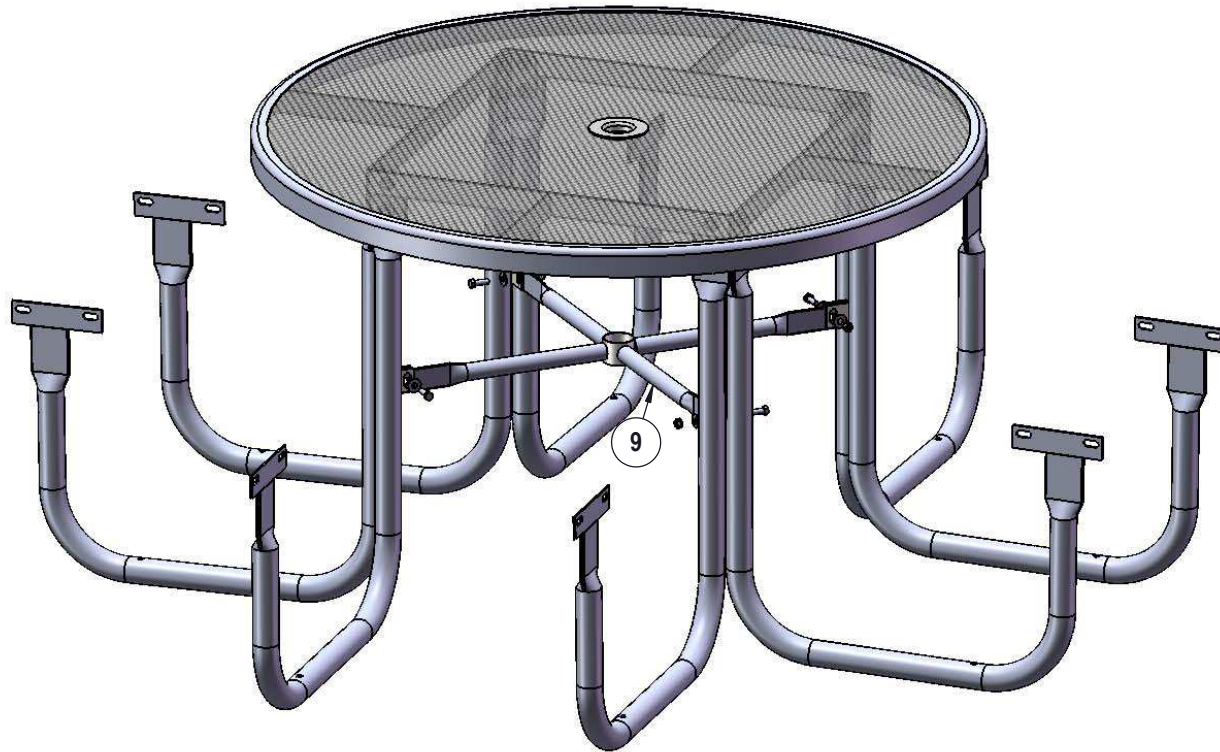
STEP 2



Attach the Legs to the Extension Tabs using specified hardware.

TERRA BOUND
SOLUTIONS

STEP 3



Attach the Crossbrace between the table legs as shown using specified hardware.

TERRA BOUND
SOLUTIONS

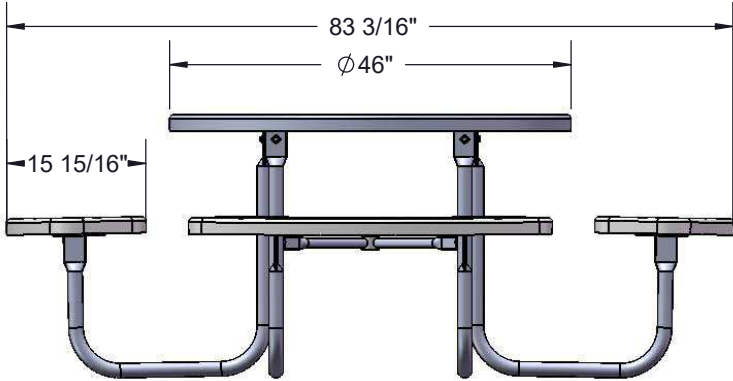
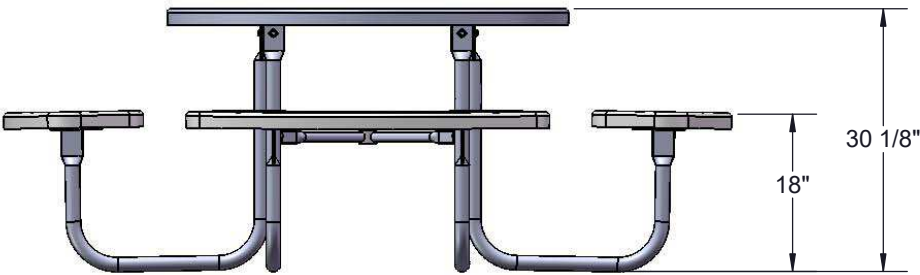
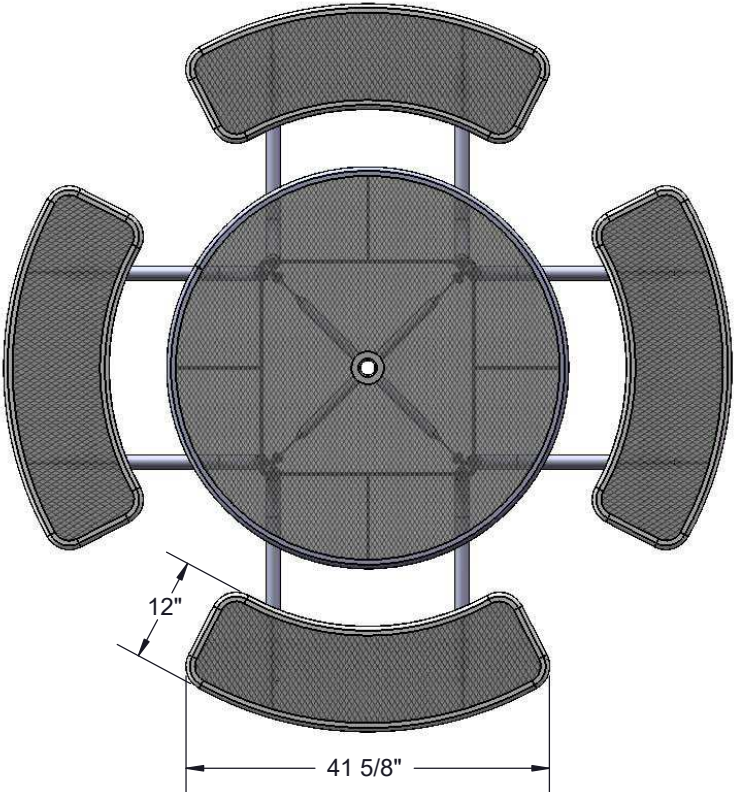
STEP 4



Attach the 3' Seats to the Legs using specified hardware.

TERRA BOUND
SOLUTIONS

OVERALL DIMENSIONS



TERRA BOUND
SOLUTIONS