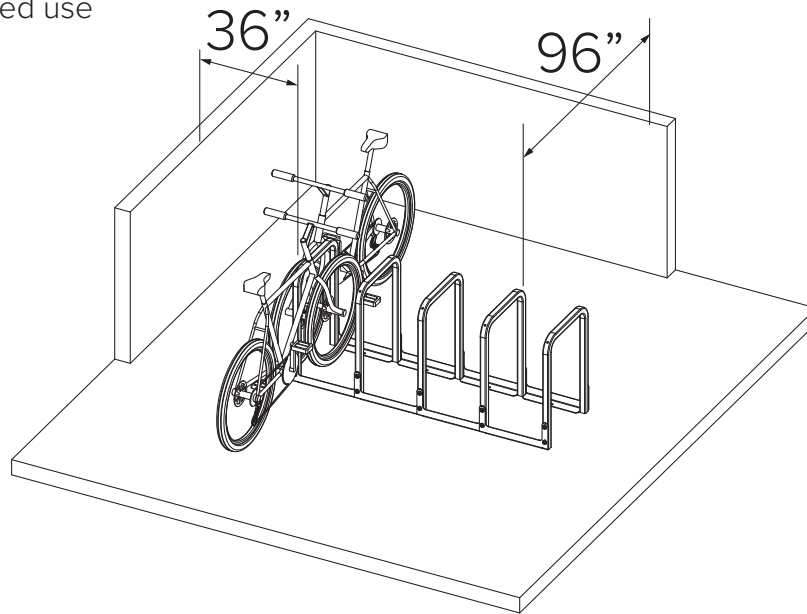
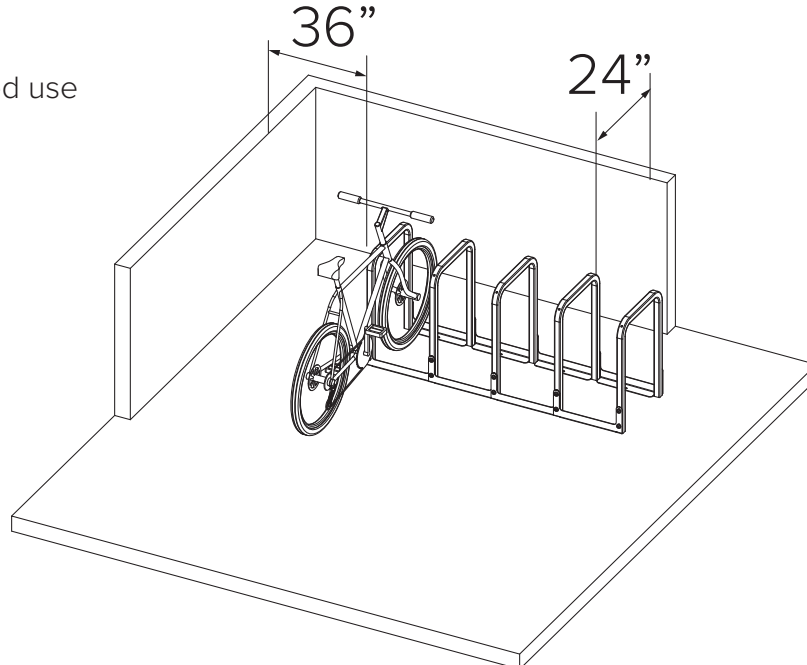


U-LOCKIT™ Setbacks

Double sided use

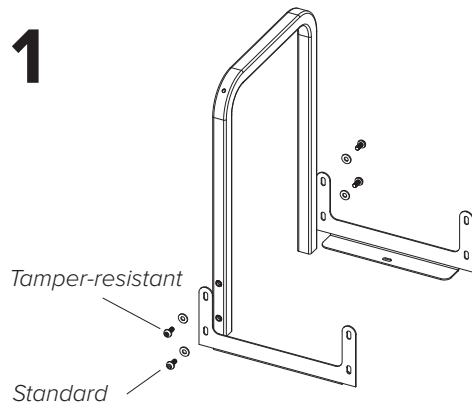


Single sided use



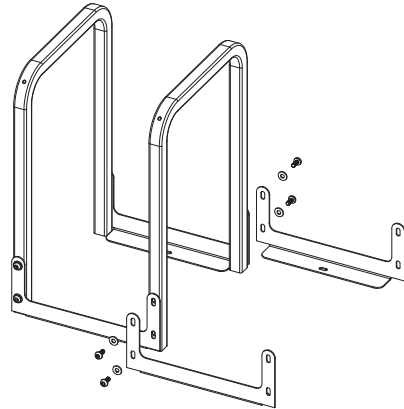
Installation Instructions

1



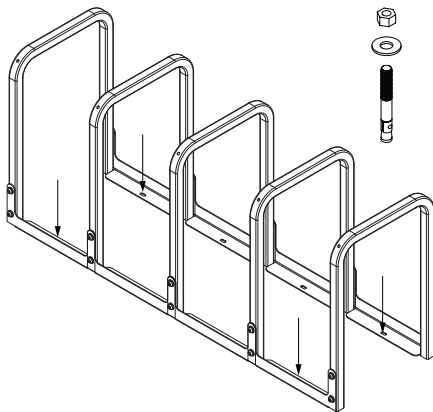
Place the rack in the desired location. Use a marker or pencil to outline the holes of the flange onto the base material.

2



Attach the next hoop and (2) plates with (2) 3/8" x 1" tamper-resistant bolts, (2) 3/8" x 1" bolts, and (4) washers. Continue attaching hoops and plates as needed.

3



When assembly is completed, position the assembly and anchor to the ground through the slotted holes in the plates on each end of the run of racks. For longer runs you may also need to add anchors to a middle section.