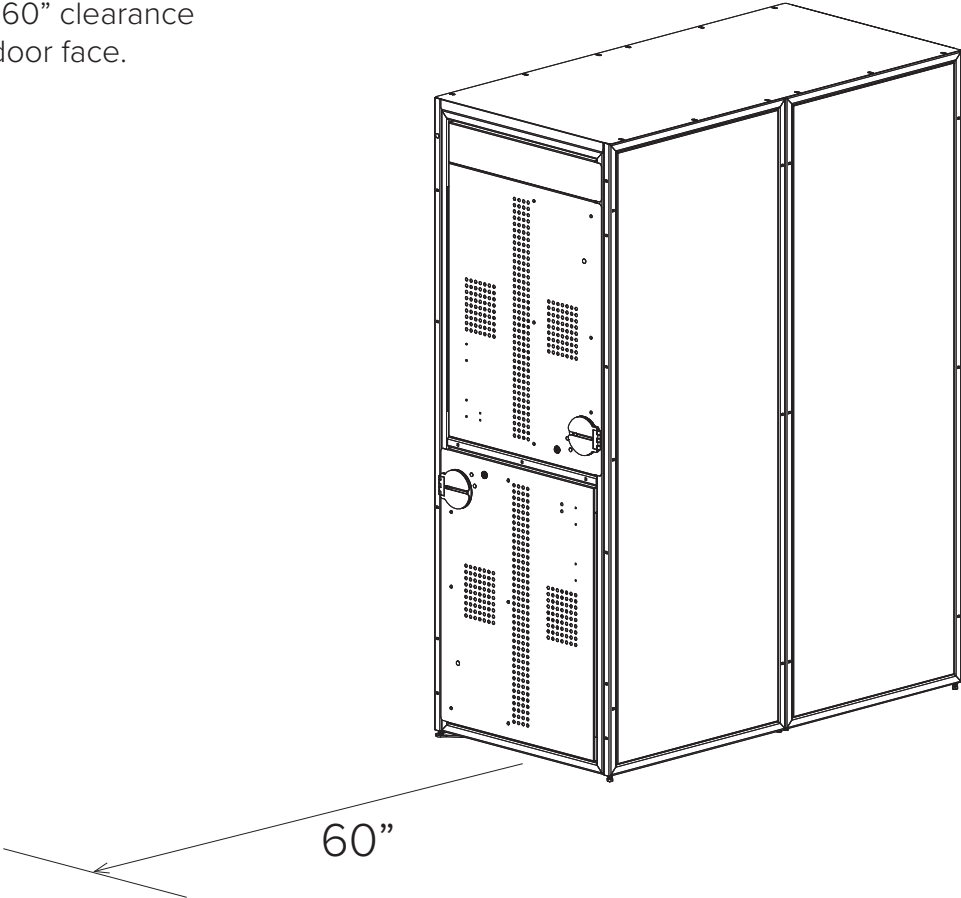


TWO-TIER BIKE LOCKER

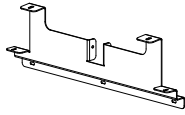
Setbacks

Allow 60" clearance
from door face.



TWO-TIER BIKE LOCKER

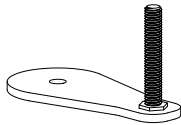
Parts List



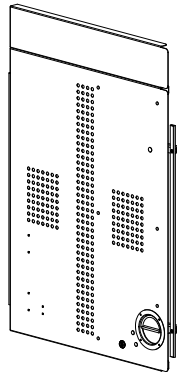
Dero Decker Mount, Front



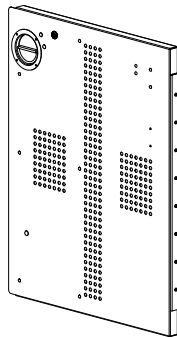
Dero Decker Mount, Rear



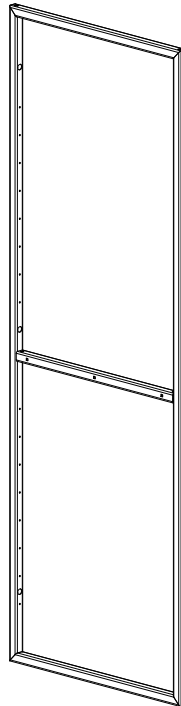
Leveling Foot



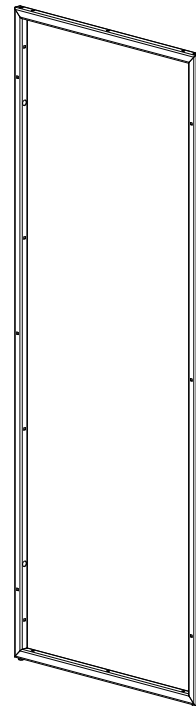
Door Assembly, Upper



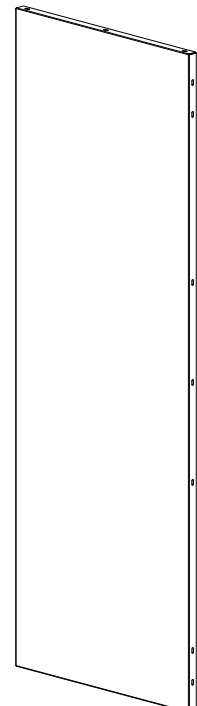
Door Assembly, Lower



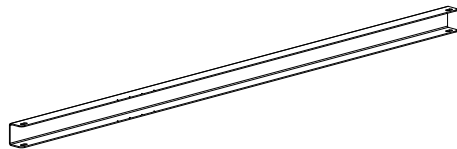
Door Frame



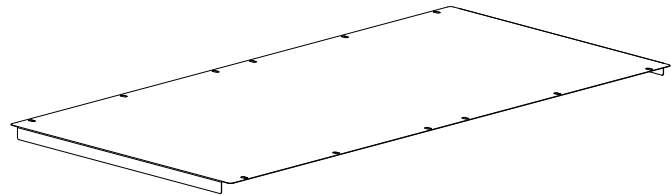
Frame Section



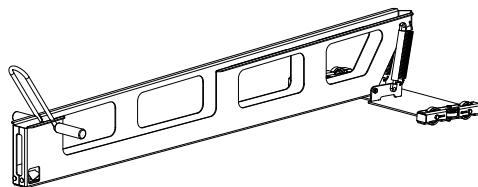
Frame Panel



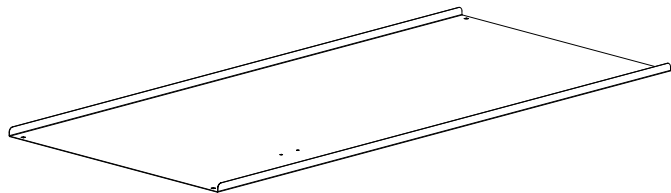
Dero Decker Track



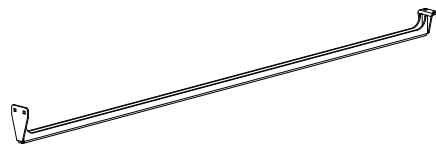
Roof Panel



Dero Decker Tray Assembly



Drip Tray



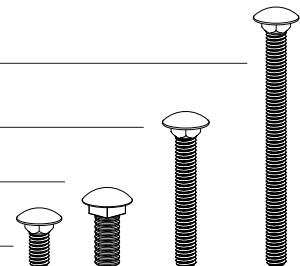
Dero Decker Wheel Guide

Carriage Bolt .3125 x 4.00

Carriage Bolt .3125 x 2.25

Carriage Bolt .375 x 1.00

Carriage Bolt .3125 x .75



TWO-TIER BIKE LOCKER

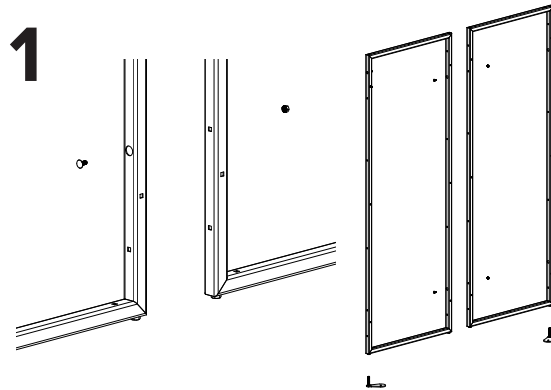
Installation Instructions

TOOLS NEEDED

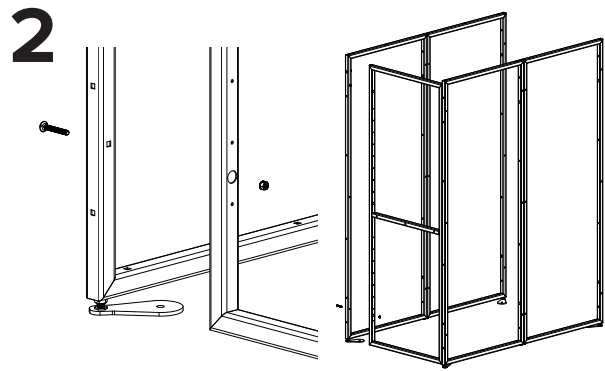
Hammer drill with $\frac{3}{8}$ " masonry bit
Hammer
Bubble level
Tape measure
 $\frac{3}{8}$ ", $\frac{7}{16}$ ", $\frac{1}{2}$ ", $\frac{9}{16}$ " wrenches
Socket wrench
 $\frac{3}{8}$ ", $\frac{7}{16}$ ", $\frac{1}{2}$ ", $\frac{9}{16}$ " sockets
Socket extension
Power drill
#3 Philips screw driver bit

RECOMMENDED BASE MATERIAL

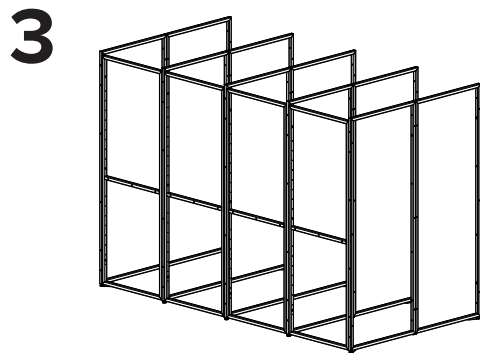
Solid concrete is the best base material for installation. To ensure the proper anchors are shipped with your rack, ask our representative which anchor is appropriate for your application. Be sure nothing is underneath the base material that could be damaged by drilling.



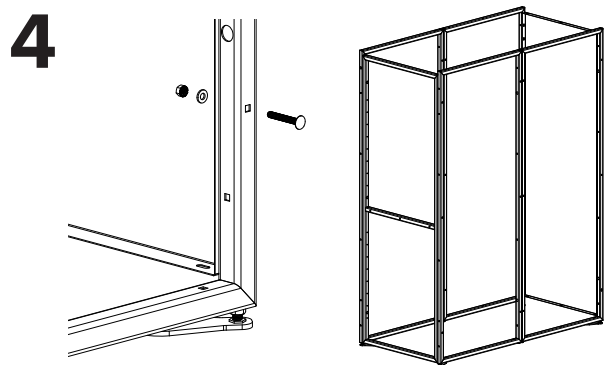
Attach (2) frame sections with (2) $\frac{5}{16}$ " x $\frac{3}{4}$ " carriage bolts and lock nuts. Then thread (2) leveling feet into the outer, bottom corners of the assembled frame sections.



Attach (2) frame assemblies with the door frame with (6) $\frac{5}{16}$ " x 2.25" carriage bolts and lock nuts. Note the smaller opening in the door frame is in the lower position.



If a modular row of lockers is being assembled, continue attaching frame assemblies and door frames. Level the assembly with the leveling feet and secure them to the ground with $\frac{3}{8}$ " diameter anchors.

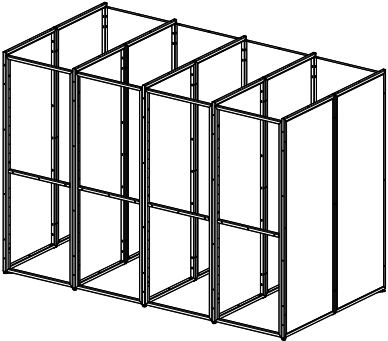
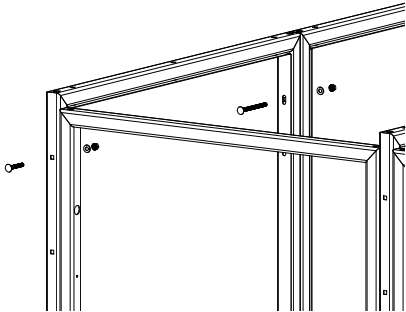


Attach (1) frame panel to the rear position in frame assembly with (4) $\frac{5}{16}$ " x 2.25" carriage bolts, washers, and lock nuts. Note the center bolt position will be left open for now. Continue adding rear frame panels if assembling a modular row.

TWO-TIER BIKE LOCKER

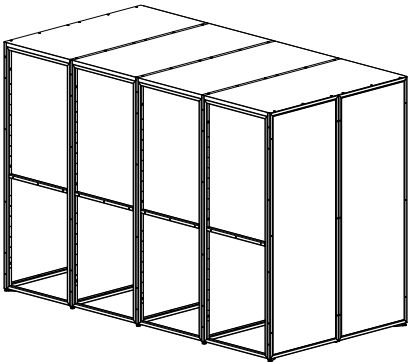
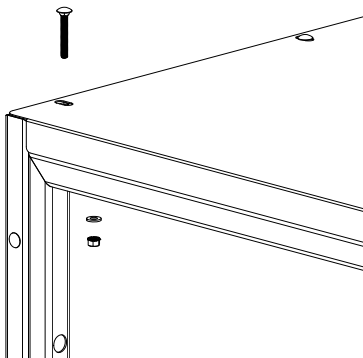
Installation Instructions

5



Attach the frame panels to the side positions in frame assembly with (4) 5/16" x 2.25" and (4) 5/16" x 4" carriage bolts, washers, and lock nuts. Continue adding side frame panels if assembling a modular row. The (3) bolt holes at the bottom of the panels are not used. The (3) bolt holes at the top of the panels will be used later.

6

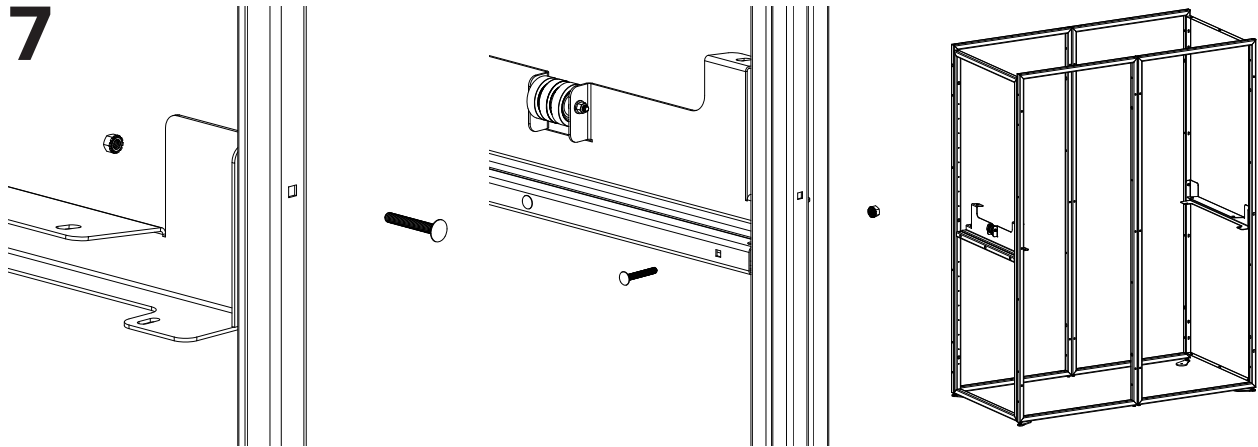


Attach the roof panels with (12) 5/16" x 2.25" carriage bolts, washers, and lock nuts. Continue adding roof panels if assembling a modular row.

TWO-TIER BIKE LOCKER

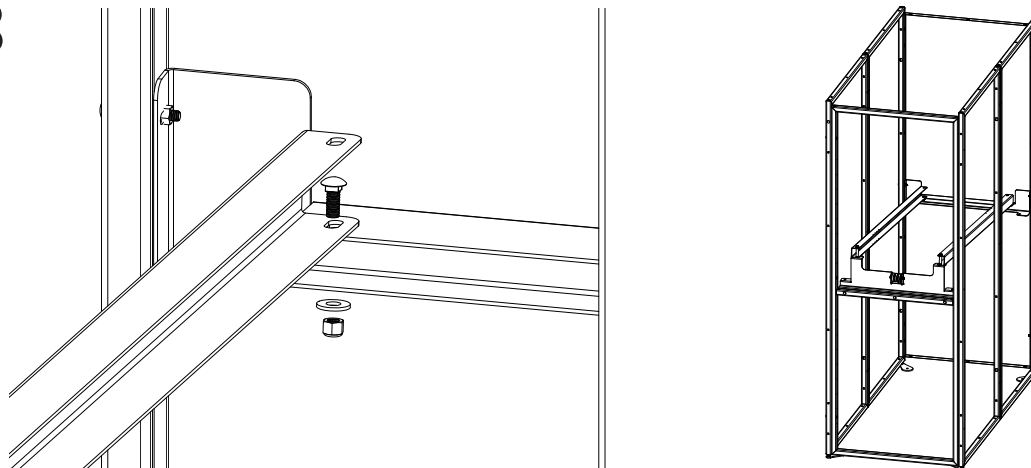
Installation Instructions

7



Attach the rear Dero Decker mount with (2) 5/16" x 2.25" carriage bolts and lock nuts and attach the front Dero Decker mount with (3) 5/16" x 2.25" carriage bolts and lock nuts.

8

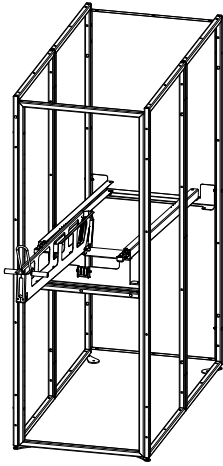


Attach the (2) Dero Decker tracks with (1) 3/8" x 1" carriage bolt, washer, and lock nut in the rear. Note the small holes in the tracks should be oriented towards the front of the locker.

TWO-TIER BIKE LOCKER

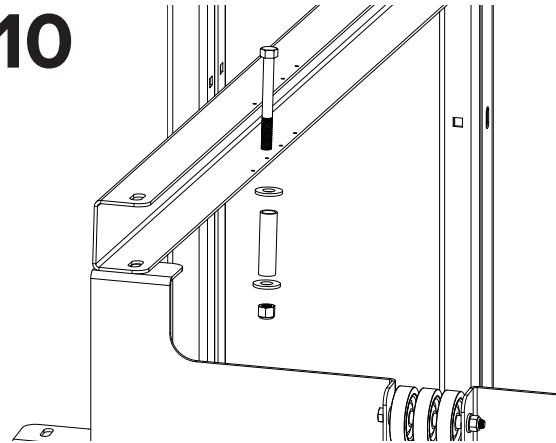
Installation Instructions

9



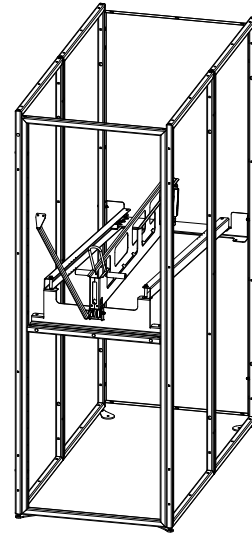
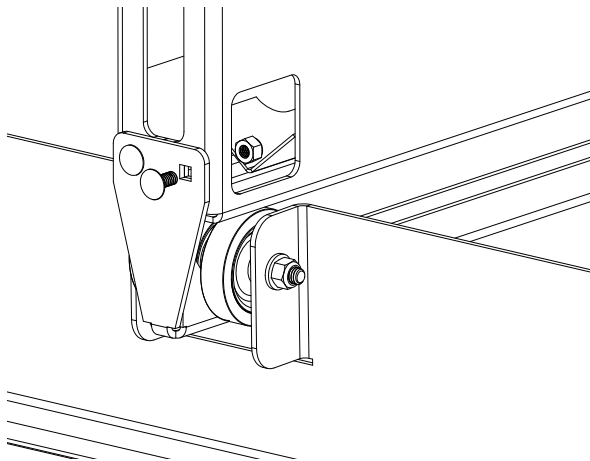
Insert the Dero Decker tray assembly into the tracks.

10



Secure the front of the (2) Dero Decker tracks with (1) 3/8" x 3.5" hex bolt, washers, and lock nut.

11

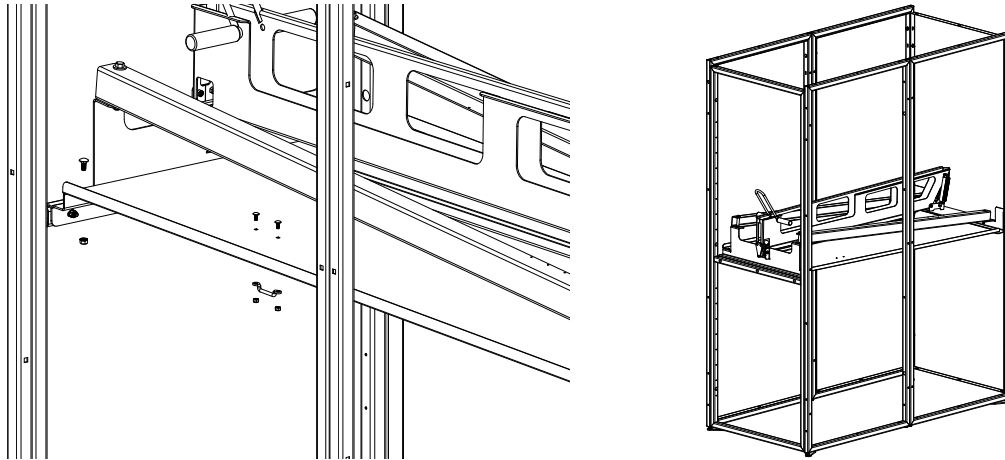


Feed the wheel guide under the center wheel and attach to the tray with (4) 1/4" x 5/8" carriage bolts and lock nuts.

TWO-TIER BIKE LOCKER

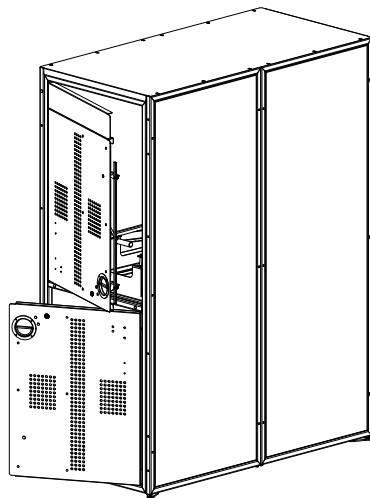
Installation Instructions

12



Attach the drip tray with (4) 5/16" x 3/4" carriage bolts and lock nuts. Note that the small holes in the drip tray are oriented towards the front of the locker. Attach the spring mount with (2) #10 x 1/2" carriage bolts and locknuts.

13

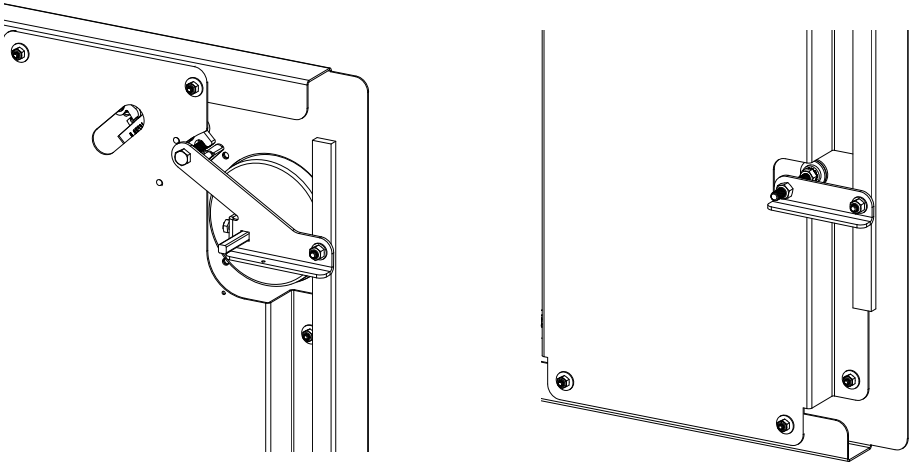


Attach the lower and upper doors with (8) #12 x 3/4" self-drilling screws. Pilot holes are present but may be partially filled with zinc. Note the upper door has an extra top panel.

TWO-TIER BIKE LOCKER

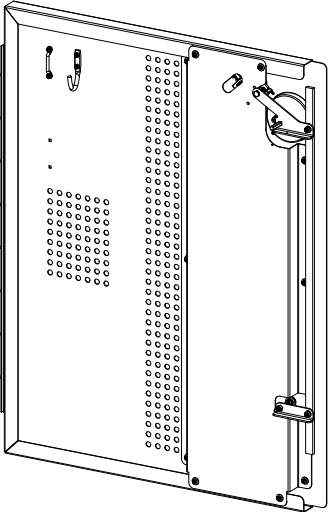
Installation Instructions

14



The gap between the door and latch bar may need to be adjusted to properly engage the door frame. This can be done via the 1/4" bolt that tightens against the handle spindle and the 5/16" nuts at the other pivot point.

15

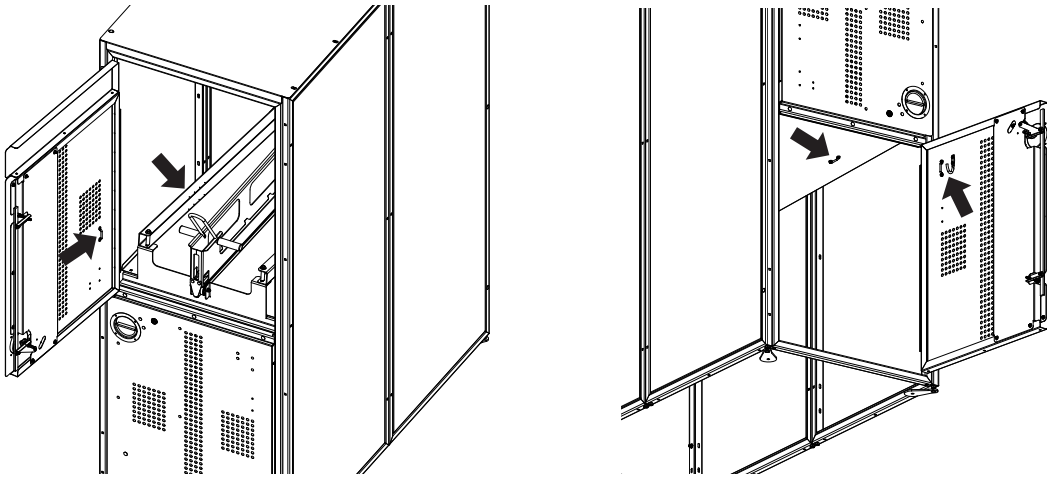


If any twist needs to be taken out of the door, loosen the (10) #10 locknuts, set the door, and re-tighten.

TWO-TIER BIKE LOCKER

Installation Instructions

16



If door closing springs are needed, attach the springs to the door spring mounts and the Dero Decker track for the upper door, and the spring mount below the drip tray for the lower door.