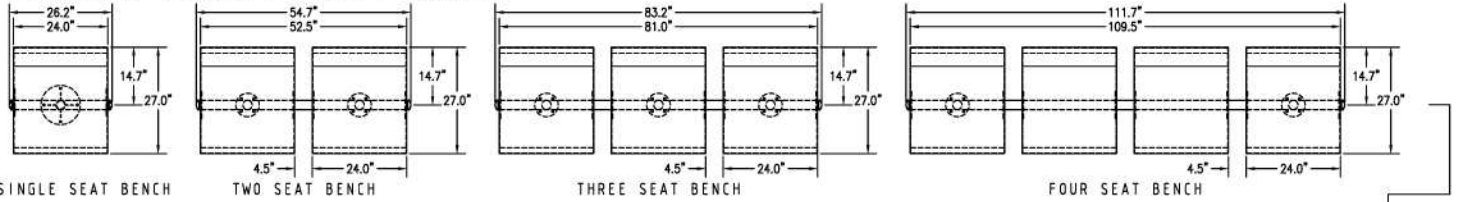
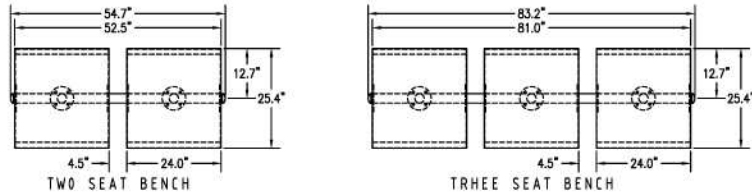


TRANSIT SERIES

STRAIGHT BENCH TRANSIT SERIES



STRAIGHT BACKLESS BENCH TRANSIT SERIES



MATERIAL SPECIFICATIONS

TUBULAR STEEL FRAMES:

2.375" outside diameter, 0.120" thick wall, Allied in-line, galvanised steel tubing tested in compliance with ASTM-A-195, or a-513 standards.

SEATING SURFACES:

PERFORATED STEEL - 13 Ga.

EXPANDED STEEL MESH - 3/4" 9F flattened steel mesh, 0.120" thick.

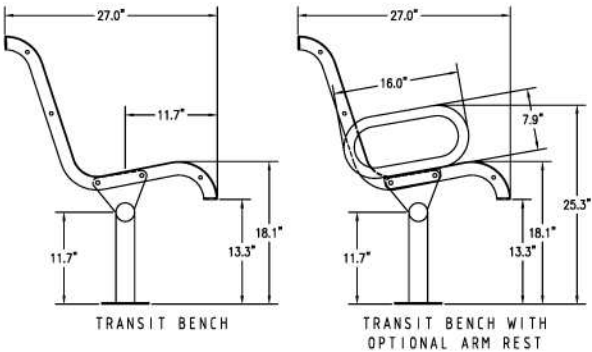
COMMON ELEMENTS - 7 Ga. and 11 Ga. steel support webs and brackets, 3/16" x 1-1/2" bar.

HARDWARE:

All stainless steel.



TYPICAL SEAT PROFILES



BENCH LEG STYLES

