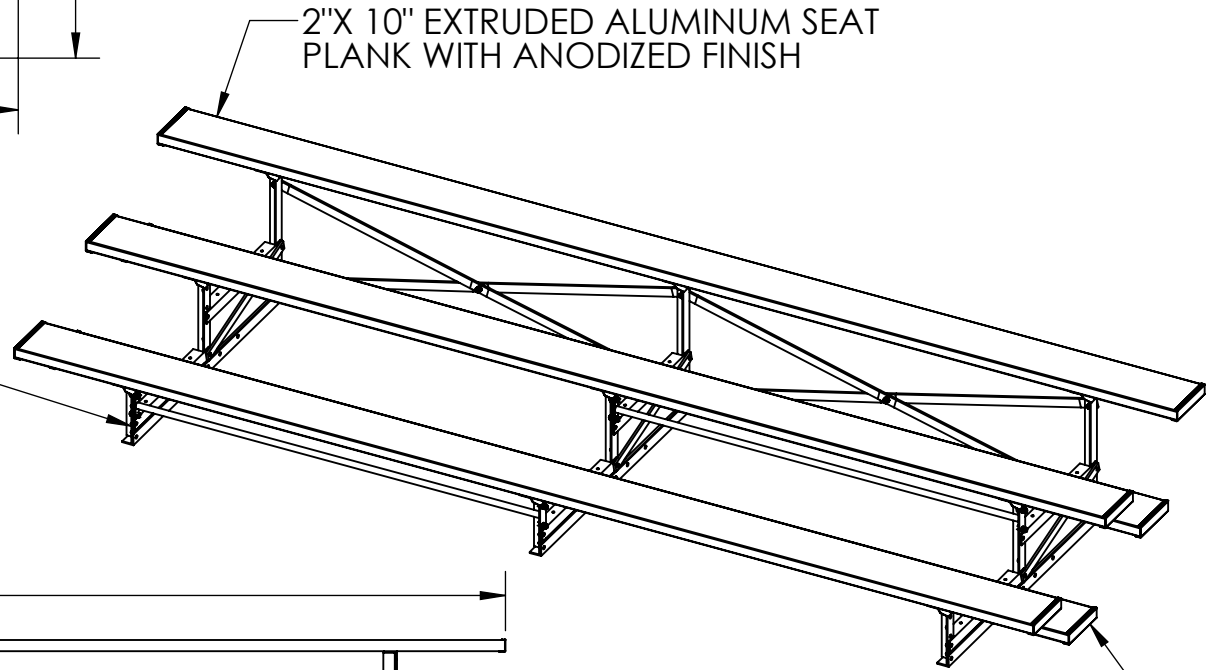
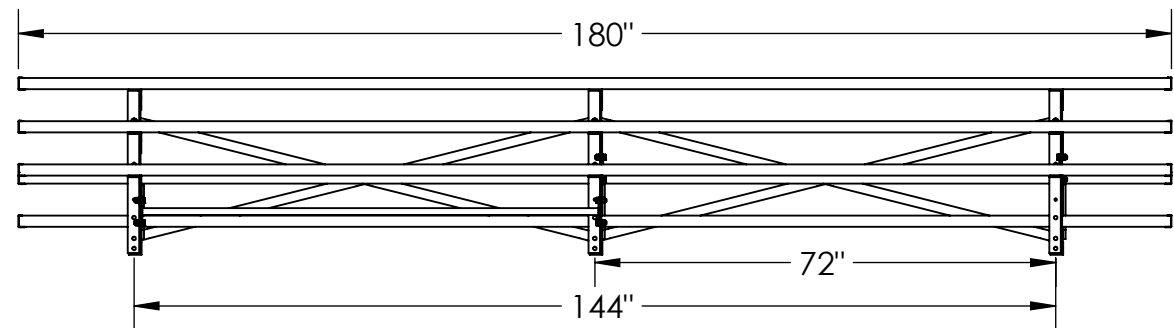


2"X 10" EXTRUDED ALUMINUM SEAT PLANK WITH ANODIZED FINISH

ALUMINUM FRAMES

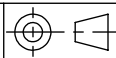


2"X 10" EXTRUDED ALUMINUM FOOT PLANKS WITH MILL FINISH



GENERAL NOTES

DIMENSIONS ARE IN INCHES
TOLERANCES: LINEAR: ± 1/16
ANGULAR: ± 1°



SHEET SIZE
A

SCALE
1:30

REV



DRAWN BY

6/13/2017

DESC: 3 ROW 15' BLEACHER

APPROVED

MATL:

LAST SAVED

6/13/2017

PART NO: BLA3A15