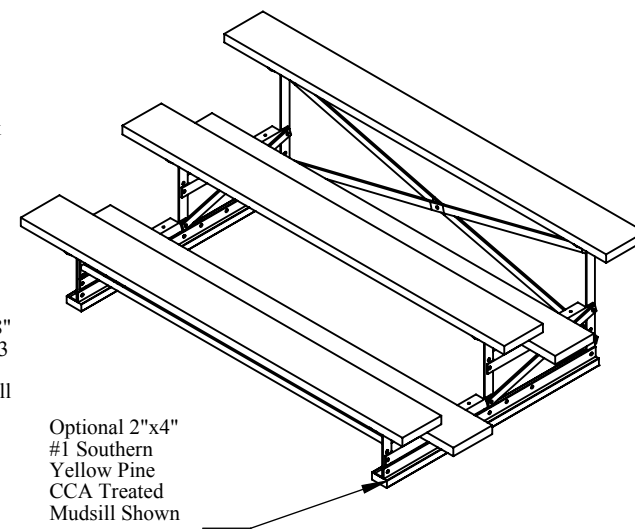
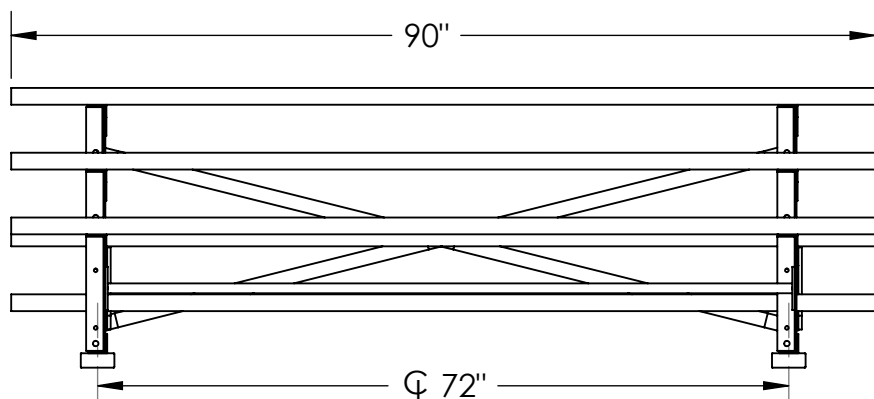


Nominal 2"x10"x.078"  
Aluminum Alloy 6063  
T6 Extruded Seat Plank  
with an Anodized  
Finish

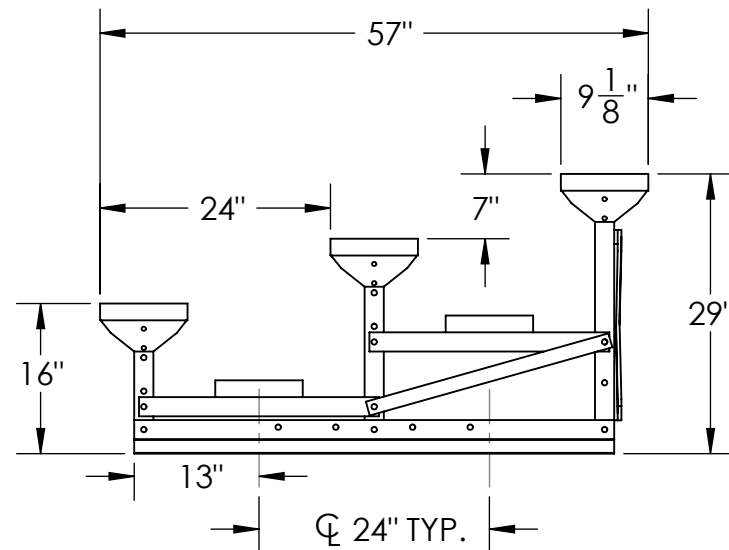
Nominal 2"x10"x.078"  
Aluminum Alloy 6063  
T6 Extruded Single  
Foot Board with a Mill  
Finish



Optional 2"x4"  
#1 Southern  
Yellow Pine  
CCA Treated  
Mudsill Shown



Frame Anchor Spacing



Frame Anchor Spacing

	Initials	Date	<b>Spec Drawing</b> Model #: BLA3A7.5 Description: 3 Row 7-1/2' Aluminum Frame Bleacher With Aluminum Planking, And Single Foot Plank.	Notes: This Drawing and all information contained herein is the property of the manufacturer and is not to be reproduced without express written permission. They assume no responsibility for unauthorized use of this drawing. They are not responsible for local permits and occupancy requirements.
Created:		1/4/2011		
Saved:		1/25/2011		