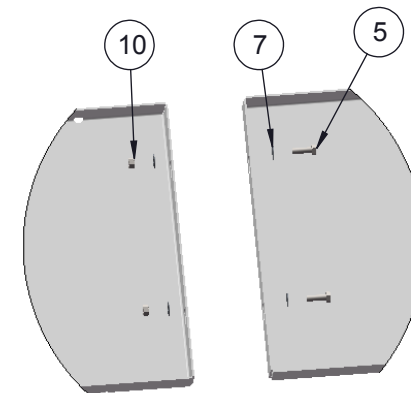
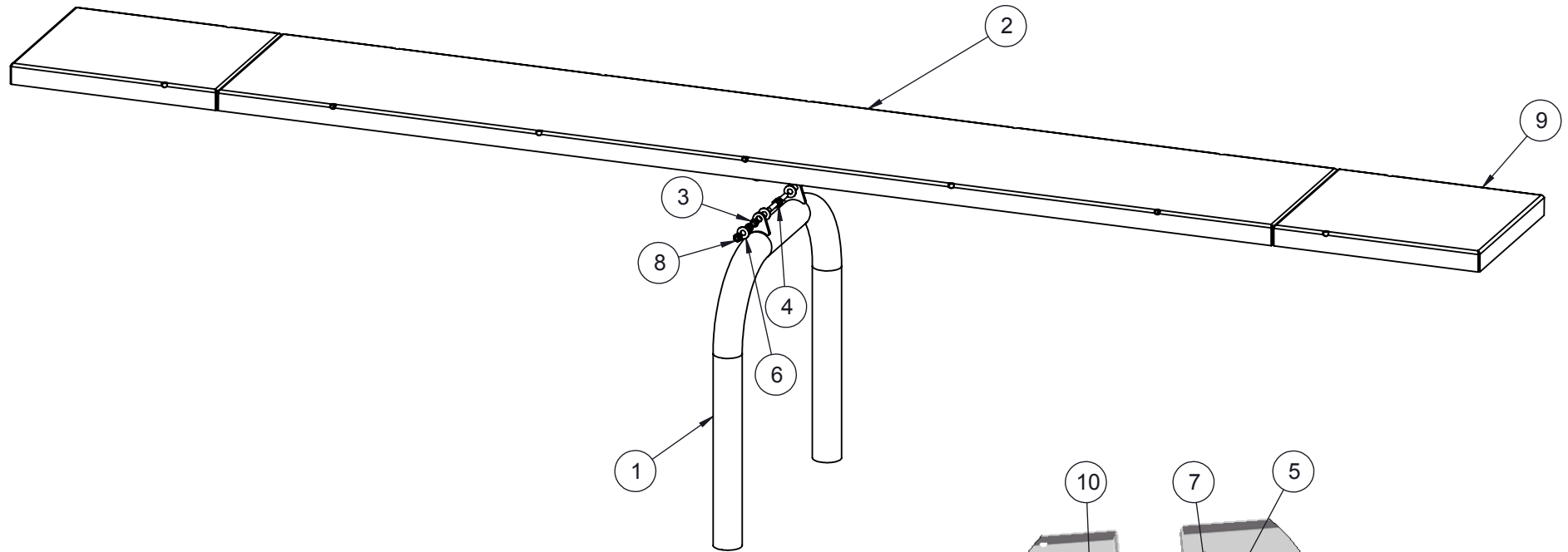


COMPONENTS

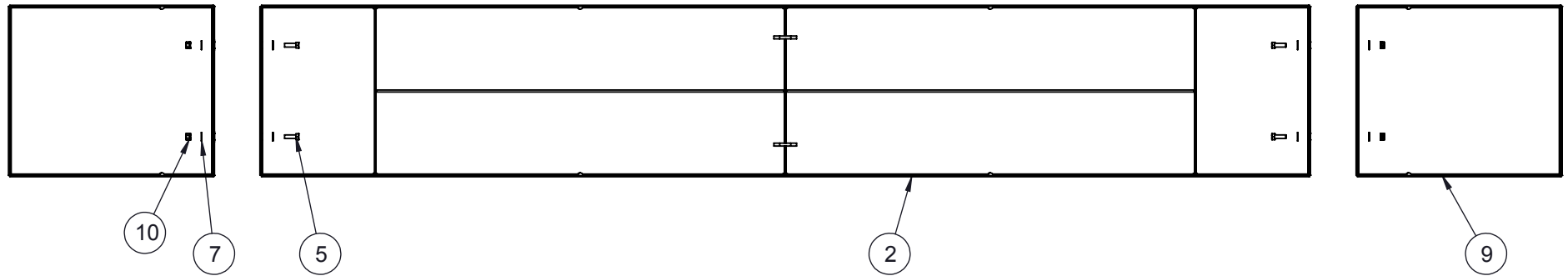


DETAIL UNDERNEATH
SCALE 1 : 10

ITEM NO	PartNo	DESCRIPTION	QTY
1	P-01-08-0032	Teeter Toter Frame	1
2	T-01-08-0030	Teeter Toter Plank	1
3	55-6389k411	3/8" Sleeve Bearing	4
4	33-05-0019	3/8" x 1 1/4" Machine Bolt (Zinc)	2
5	33-05-0029	5/16" x 1" Machine Bolt (SS)	4
6	33-02-0008	3/8" Flat Washer (SS)	4
7	33-02-0007	5/16" Flat Washer (SS)	8
8	33-01-0002	3/8" Hex Nut (Zinc)	2
9	T-01-08-0031	Teeter Totter plank extension	2
10	33-03-0012	5/16" Kep Nut (SS)	4

TERRA BOUND
SOLUTIONS™

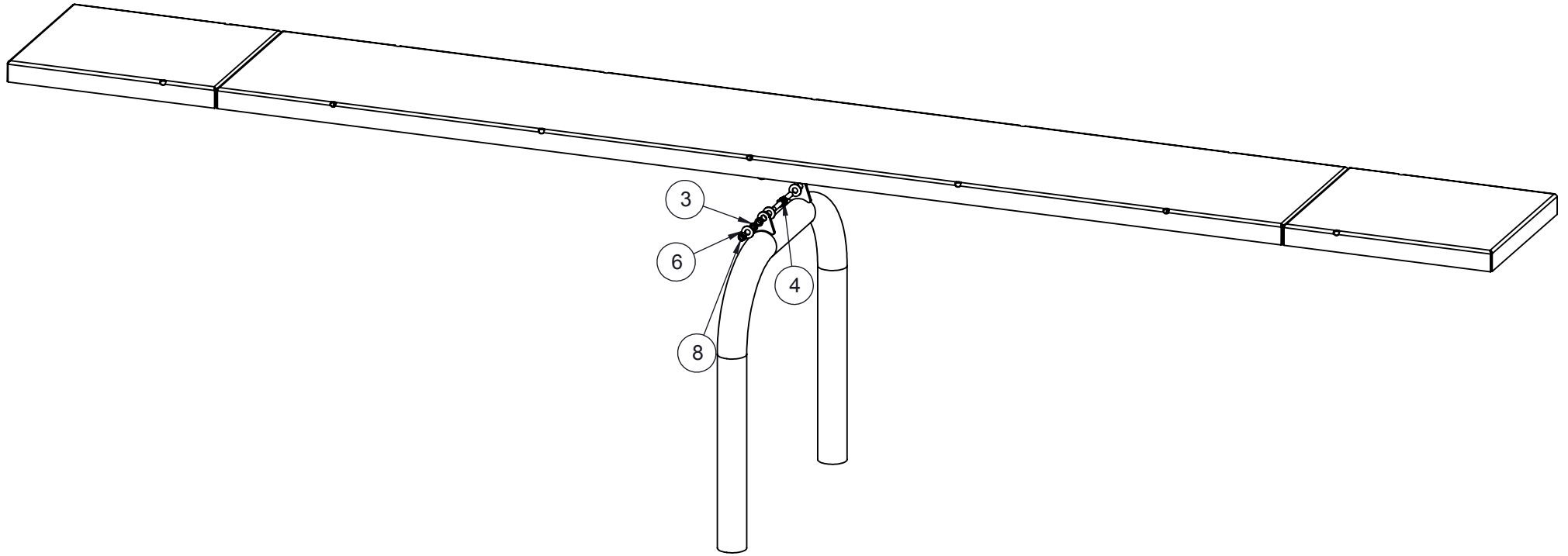
STEP 1



Bolt the Teeter Totter Plank and extensions together using specified hardware.

TERRA BOUND
SOLUTIONS™

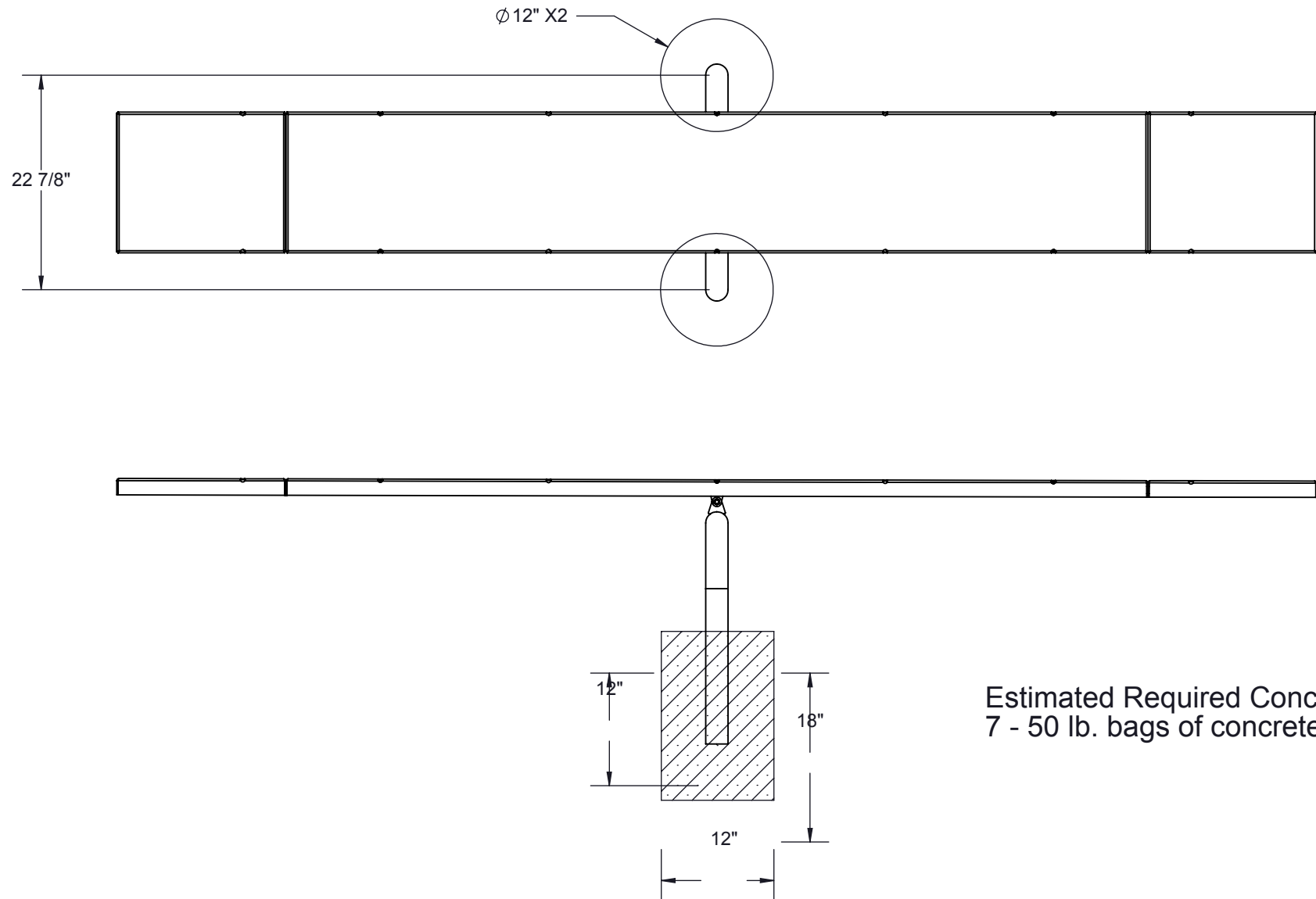
STEP 2



Attach the leg to the assembled planks using specified hardware.

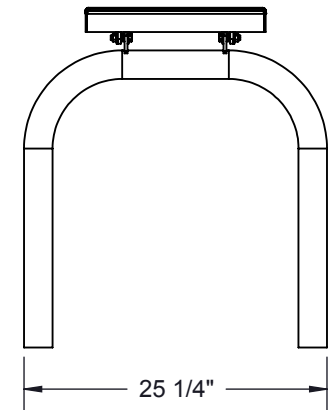
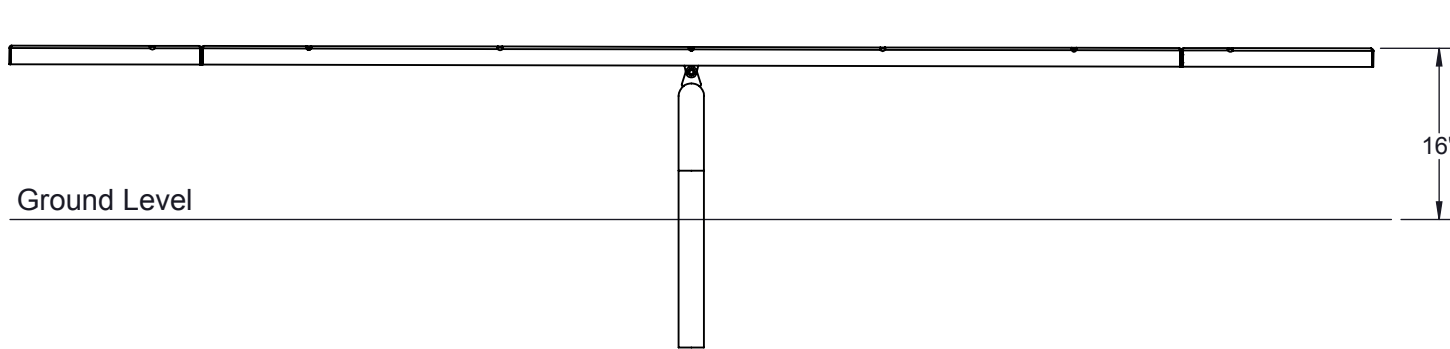
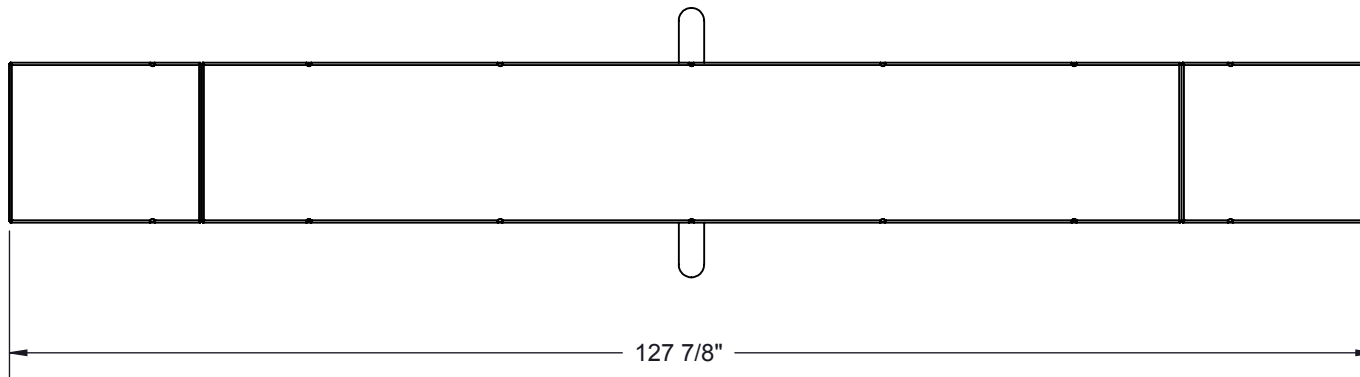
TERRA BOUND
SOLUTIONS™

FOOTINGS



Estimated Required Concrete:
7 - 50 lb. bags of concrete mix

OVERALL DIMENSIONS



TERRA BOUND
SOLUTIONS™