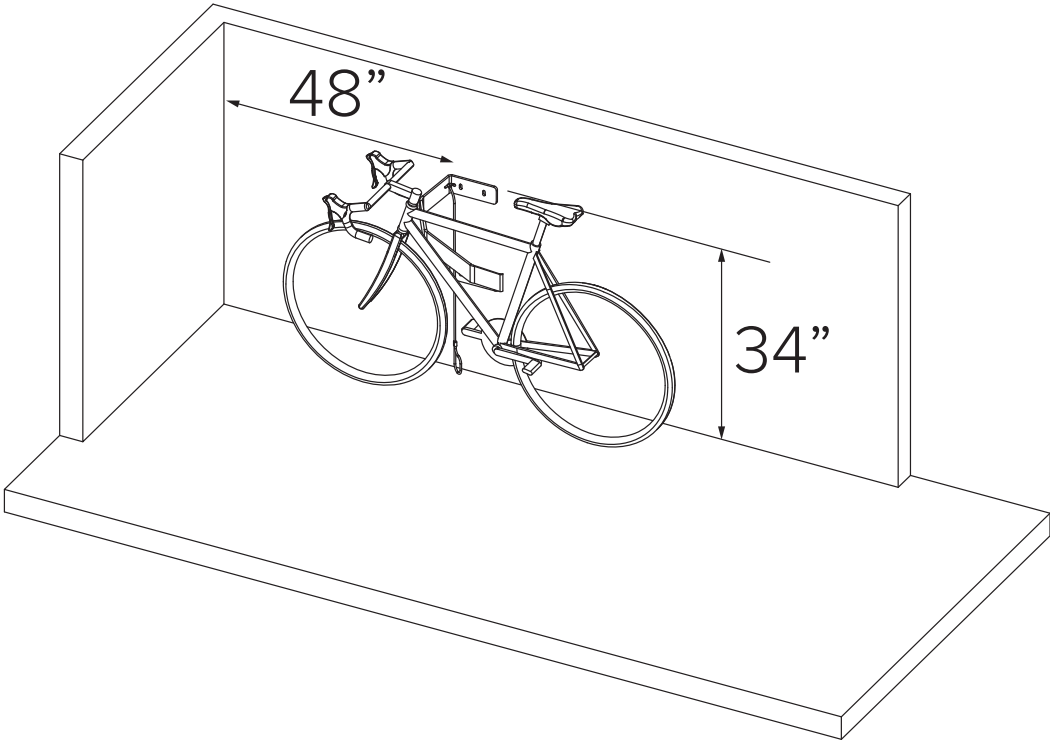


SWITCHBACK™

Setbacks



TERRA BOUND
SOLUTIONS™

20020 Hickory Twig Way | Spring, TX 77388 | Toll Free: 1-877-857-2915

SWITCHBACK™

Installation Instructions – Wall Mount

TOOLS NEEDED

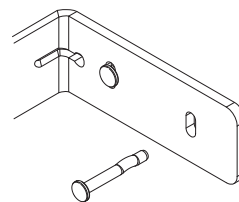
Tape Measure
Marker or Pencil
Masonry Drill Bit
Drill (Hammer drill recommended)
Hammer
Wrench or ratchet 9/16"
Level

RECOMMENDED BASE MATERIAL

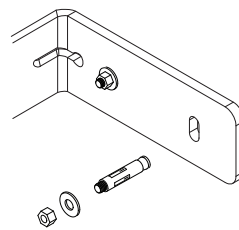
Solid concrete is the best base material. Brick, block, and wood stud walls may be acceptable. Metal stud walls are not an acceptable material for installation. Before installing make sure nothing is behind the wall that could be damaged by drilling and that the base material is strong enough to support a fully loaded rack. Tell your Dero representative what kind of base material you are installing the Switchback™ into so the proper anchors can be shipped with the rack.

INSTALLATION

3/8" anchors are shipped with the rack. Place the rack in the desired location. Use a marker or pencil to outline the holes of the flange onto the base material. Drill the holes in accordance with the specifications shipped with the anchors. Make sure the holes are at least 3" away from any cracks in the base material. Racks should be mounted 25" from the ground at the center of the rack.



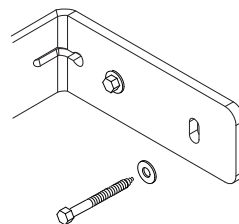
Concrete Spike



Sleeve Anchor



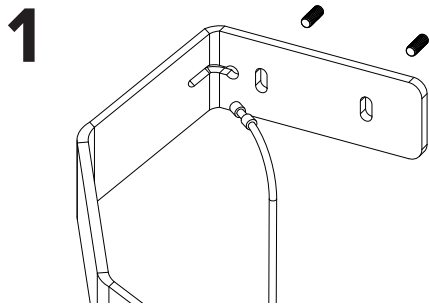
Titen Anchor



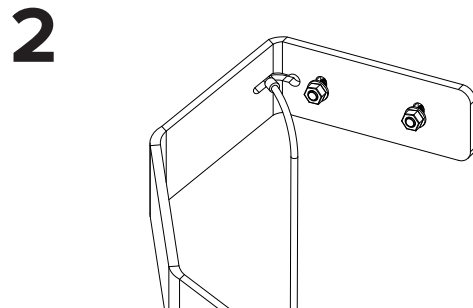
*Lag Screw
(wood install)*

SWITCHBACK™

Installation Instructions – Wall Mount



Before anchoring Switchback™ to wall, insert end of locking cable through larger end of the cable slot and slide cable forward.



Anchor Switchback™ to wall following instructions on previous page.