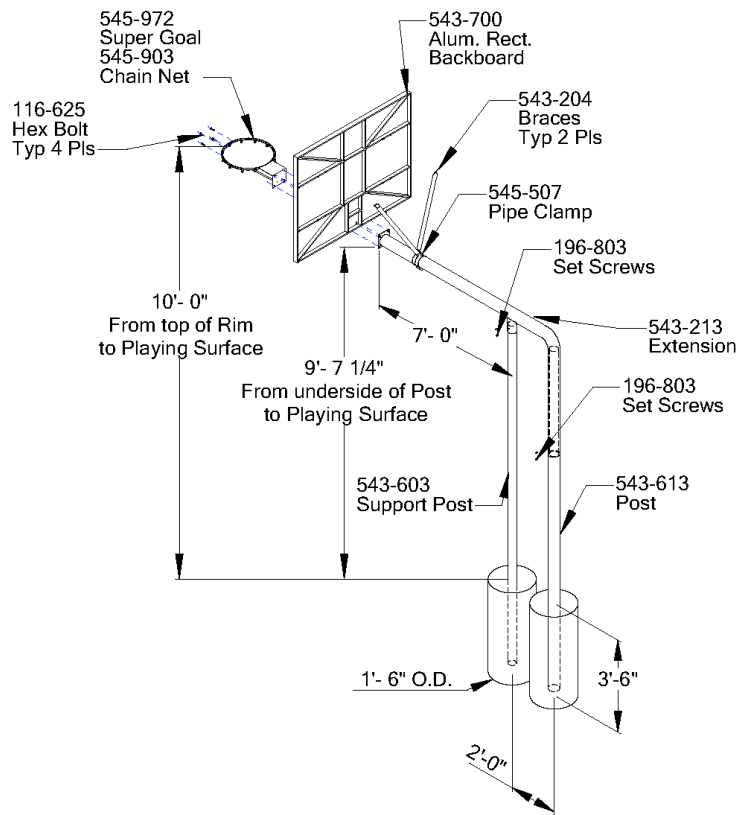


IMPORTANT

PLEASE READ THESE INSTRUCTIONS BEFORE COMMENCING ASSEMBLY. All equipment must be installed in accordance with these instructions. Check your shipment against Bill of Lading and Parts list. Any missing or broken parts must be reported to your distributor within 10 days of receipt of your order. When properly installed and maintained, equipment will give many years of Safe, Trouble-Free use. Periodically check for loose or broken parts. Loose bolts must be tightened and broken parts must be replaced as they can possibly create dangerous situations leading to unnecessary accidents.



PACKING LIST

1	CTN	1	Hardware Bag
1	CTN	1	543-700 Aluminum Rectangle
1	CTN	1	545-972 Super Goal
		1	545-903 Chain Net
1	BDL	2	543-204 Brace
1	PIPE	1	543-213 Extension
1	PIPE	1	543-613 Post
1	PIPE	1	543-603 Support

HARDWARE BAG

1	545-507	4 1/2" Pipe Clamp
4	196-803	1/2" x 3/4" Socket Set Screws
2	116-604	3/8" x 1" Hex Head Bolt
1	116-508	5/16" x 2" Hex Head Bolt
4	216-601	3/8" Hex Nut
1	226-501	5/16" Lock Nut
2	316-501	5/16" Flat Washer
10	316-601	3/8" Flat Washer
1	416-400	1/2" Socket Key
4	236-604	3/8" Round T Nut
4	116-625	3/8" x 1 1/2" Hex Tap Bolt

3 CTN	1 BDL	3 PIPE	7 TOTAL PCS	311# Weight	Class 70
-------	-------	--------	-------------	-------------	----------

541-837 Super 7 4 1/2" OD Basketball Backstop

Aluminum Rectangle Backboard

Page 2

ASSEMBLY AND INSTALLATION:

- NOTE:** All threaded ends of bolts protruding beyond nuts must be cut off and/or peened to eliminate sharp edges. No more than two threads should extend beyond face of nut. All washers, "T" nuts, and other fastener hardware used on round pipe or tubing must be hammered down to conform to the curved underlying surface to eliminate catch points. DO NOT tighten nuts more than hand-tight until entire assembly is completed.
- STEP #1: Locate and dig footing holes for 543-613 Post and 543-603 Support
- STEP #2: Attach 543-213 Extension to 543-603 Support and 543-613 Post using:
4 - 1/2" x 3/4" Set Screws 1 - 1/4" Socket Key
NOTE: Use 2 set screws per connection.
- STEP #3: Place 543-603 Support and 543-613 Post into footing holes. Brace support and post in footing hole so that the end of the support and post are approximately 6" from the bottom of the footing holes. IT IS CRITICAL TO MAINTAIN THE 9'7 1/4" DIMENSION FROM THE UNDERSIDE OF THE EXTENSION TO THE TOP OF THE PLAYING SURFACE.
- STEP #4: Mix and pour Pre Mix Concrete into footing holes using:
24 - 80# Bags of Pre-Mix Concrete
Use 12 bags of concrete per footing hole. Fill footing holes to the top with concrete and crown the top for drainage. Allow concrete to harden 48 hours before attaching backboard, goal and net.
- STEP #5: Attach Backboard to 543-213 Extension using:
4 - 3/8" x 1 1/2" Hex Head Tap Bolt 4 - 3/8" Flat Washer
4 - 3/8" Round "T" Nut
Insert bolts with washer attached from bent post side into "T" nut with threaded end inserted into backboard openings so that bolt ends extend beyond backboard. Level backboard on bent post.
- STEP #6: Attach Goal to Backboard using:
4 - 3/8" Hex nuts 4 - 3/8" Flat Washers
Tighten goal to backboard to post by holding front hex nut and tightening on bolt end. This pulls the threaded round 'T' nut tight to backboard.
- STEP #7: Attach Braces to backboard using:
2 - 3/8" x 1" Hex Bolts 2 - 3/8" Washers
2 - braces
Attach to foremost steel inserts closest to edges on top of Backboard. Attach flat end of braces to backboard. Bend by pulling away from board until pre-bent end will fit flat between clamp ends.
- STEP #8: Attach Braces to Bent post using:
1 - 5/16" x 2" Hex Bolt 2 - 5/16" Flat Washer
1 - 4 1/2" Pipe Clamp 1 - 5/16" Lock Nut
Open clamp and place it on post (about 14" back from plate). Stick 5/16" flat washer on 5/16" hex bolt. Stick bolt through end of brace on right side of board. Then, pull brace back and stick the bolt through the clamp. Pull the second brace back and place over the end of the bolt sticking through the clamp. Put the 5/16" flat washer and 5/16" locknut on hand-tight. Move clamp until board is plumb and straight. Tighten lock nut.
- NOTE:** Do NOT over tighten bolts.
The official height of a Goal & Net is 10 feet from top of rim to top of playing surface.

Maintenance Instructions: Check periodically for loose bolts and/or broken parts. Replace immediately.